



Remote Monitoring

Remotely monitor your home or office over the Internet from anywhere

HD Resolution

High-resolution 1 Megapixel HD-720P images ensure that you capture the details that you need

High-quality video feeds

Real-time video compression using the H.264, MPEG-4 and MJPEG codec

Features:

- 1/4" 1 Megapixel CMOS progressive sensor
- Real-time H.264, MPEG-4 and Motion JPEG compression
- HD resolution (1280x720) and up to 1M (1280x800)
- Fixed lens 3.45 mm F2.0
- Simultaneous multi-stream support
- ePTZ
- Supports multiple access list
- Privacy Mask feature
- Micro SD Card slot
- 2-way audio support
- 1 digital input / 1 digital output
- IEEE 802.11n (DCS-2130 only)
- WEP / WPA / WPA2 security (DCS-2130 only)
- 3GPP mobile surveillance
- Built-in Samba client for NAS
- ONVIF compliant

HD Cube Network Camera



Camera Surveillance For Home & Office

The DCS-2103/2130 is a unique and versatile surveillance solution for your home or small office. Unlike a traditional webcam, the DCS-2103/2130 is a complete system with a built-in CPU and web server that transmits high quality video images for security and surveillance. Simple installation and an intuitive web-based interface offer easy integration with your Ethernet or 802.11n wireless network (DCS-2130 only). The DCS-2103/2130 also comes with remote monitoring and motion detection features for a complete and cost-effective home security solution.

Wireless N Connectivity

The DCS-2130 includes 802.11n wireless for fast and easy integration into your existing network environment. Wireless N allows you to stream high-quality video to remote sites and mobile devices. A Site Survey feature also allows you to view and connect to nearby wireless networks with ease. The DCS-2103/2130 also includes a standard Ethernet port for connections to traditional wired networks.

ePTZ For Surveying Regions Of Interest

The ePTZ feature allows users to select a target region for close-up viewing simply by clicking on the video feed displayed within their browser. ePTZ makes use of the camera's megapixel resolution to survey a large area effortlessly. Since ePTZ requires no moving parts, there is no need to worry about the camera having mechanical failures.

Easy To Configure And Operate

This network camera supports the Universal Plug-n-Play feature, which allows computers running on Windows XP/Vista/7 to automatically recognize the camera and add it to the network. Sign up with one of the free Dynamic DNS services available on the web to assign a name and domain to the camera (e.g. mycamera.dlinkddns.com), and remotely access the camera without having to remember your IP address. You may also view up to 32 cameras from a central location using the included D-ViewCam software. D-ViewCam has a robust set of features including automated e-mail alerts which can instantly inform administrators of suspicious or unusual activities.





HD Cube Network Camera

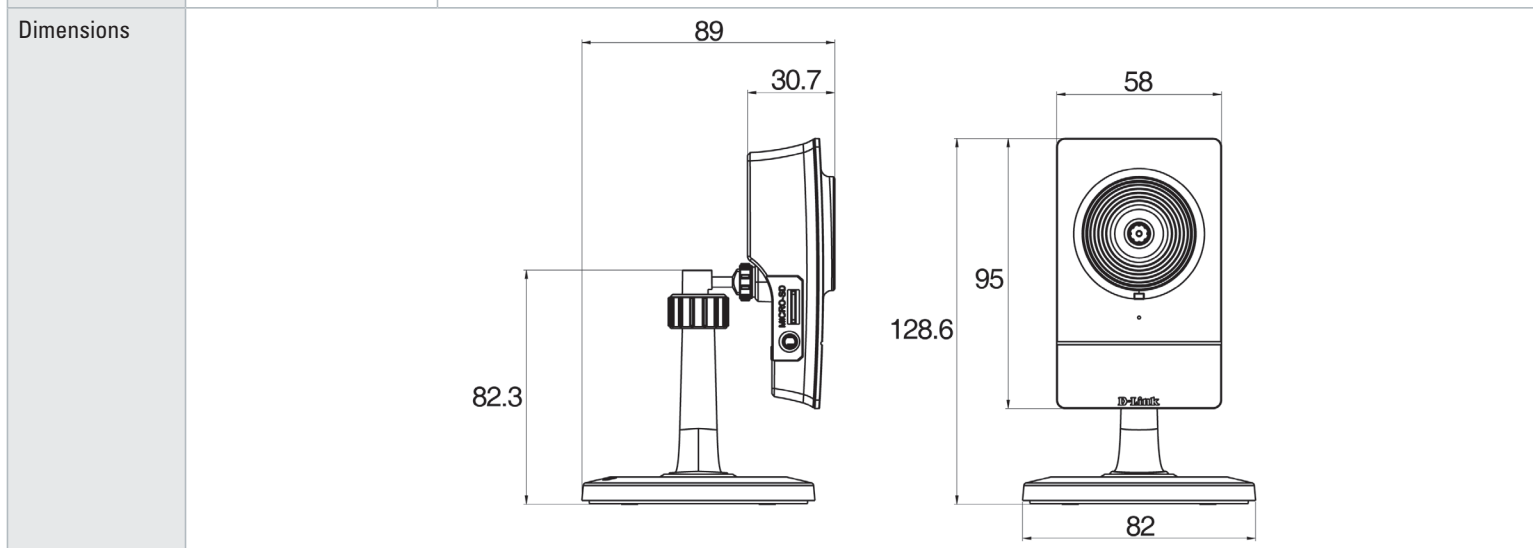
Technical Specifications

Camera	Camera Hardware Profile	<ul style="list-style-type: none"> 1/4" 1 Megapixel progressive CMOS sensor Minimum illumination 1.0 lux 10x digital zoom Fixed length 3.45 mm 	<ul style="list-style-type: none"> Aperture F2.0 Angle of view: (H) 57.8° (V) 37.8° (D) 66° 	
	Image Features	<ul style="list-style-type: none"> Configurable image size, quality, frame rate, and bit rate Time stamp and text overlays Configurable motion detection windows 	<ul style="list-style-type: none"> 3 configurable privacy mask zones Configurable shutter speed, brightness, saturation, contrast, and sharpness 	
	Video Compression	<ul style="list-style-type: none"> Simultaneous H.264/MPEG-4/MJPEG format compression JPEG for still image H.264/MPEG-4 multicast streaming 	<ul style="list-style-type: none"> H.264/MPEG-4 multicast streaming 	
	Video Resolution	16:9 - 1280 x 800, 1280 x 720, 800 x 450, 640 x 360, 480 x 270, 320 x 176, 176 x 144 at frame rates up to 30 fps 4:3 - 1024 x 768, 800 x 600, 640 x 480, 480 x 360, 320 x 240, 176 x 144 at frame rates up to 30 fps		
	Audio Support	G.726		
	External Device Interface	<ul style="list-style-type: none"> 1 DI / 1 DO Micro SD card slot 	<ul style="list-style-type: none"> Built-in microphone 3.5mm audio output jack 	
Network	Network Protocols	IPv4, TCP/IP, UDP, ICMP, DHCP Client, NTP Client (D-Link), DNS Client, DDNS Client (D-Link), SMTP Client, FTP Client, HTTP / HTTPS, Samba Client, PPPoE, UPnP Port Forwarding, RTP / RTSP/ RTCP, IP filtering, 3GPP, IGMP, ONVIF Compliant		
	Security	<ul style="list-style-type: none"> Administrator and user group protection Password authentication 	<ul style="list-style-type: none"> HTTP and RTSP digest encryption 	
System Management	System Requirements for Web Interface	<ul style="list-style-type: none"> Operating System: Microsoft Windows 7/Vista/XP/2000 Browser: Internet Explorer, Firefox, Netscape, Opera 		
	Event Management	<ul style="list-style-type: none"> Motion detection Event notification and upload snapshots/video clips via HTTP, SMTP, or FTP 	<ul style="list-style-type: none"> Supports multiple HTTP, SMTP, and FTP servers Multiple event notifications Multiple recording methods for easy backup 	
	Remote Management	<ul style="list-style-type: none"> Configuration accessible via web browser Take snapshots/video clips and save to local hard drive or NAS via web browser 		
	Mobile Support	Windows 7/Vista/XP system, Pocket PC, or mobile phone with 3GPP playback support		
	D-ViewCam™ System Requirements	<ul style="list-style-type: none"> Operating System: Microsoft Windows 7/Vista/XP Web Browser: Internet Explorer 6 or higher 	<ul style="list-style-type: none"> Protocol: Standard TCP/IP 	
	D-ViewCam™ Software Functions	<ul style="list-style-type: none"> Remote management/control of up to 32 cameras Viewing of up to 32 cameras on one screen 	<ul style="list-style-type: none"> Supports all management functions provided in web interface Scheduled motion triggered, or manual recording options 	



HD Cube Network Camera

General	Power Input	5 V DC 1.2 A, 50/60 Hz
	Max. Power Consumption	DCS-2103: 2 watts DCS-2130: 2.5 watts
	Operating Temperature	0 to 40 °C (32 to 104 °F)
	Storage Temperature	-20 to 70 °C (-4 to 158 °F)
	Humidity	20% to 80% non-condensing
	Weight	DCS-2103: 68 g DCS-2130: 69 g
	Certifications	CE, CE LVD, FCC (Class B), C-Tick



D-Link Corporation
 No. 289 Xinhu 3rd Road, Neihu, Taipei 114, Taiwan
 Specifications are subject to change without notice.
 D-Link is a registered trademark of D-Link Corporation and its overseas subsidiaries.
 All other trademarks belong to their respective owners.
 ©2011 D-Link Corporation. All rights reserved.
 Release 01 (May 2011)