

## Product Highlights

### 1.3 Megapixel Resolution

HD-720p high resolution video ensures that you capture the details that you need

### Wide Dynamic Range (WDR)

Wide Dynamic Range technology neutralizes imperfect lighting, providing clear images with the right amount of contrast even when a subject is backlit

### High-Quality Video Feeds

Real-time video compression with H.264, MPEG-4, and MJPEG codecs



## DCS-3710

# HD Day & Night WDR Network Camera

## Features

- Sony Exmor 1/3" 1.3 Megapixel WDR CMOS Sensor
- WDR for high contrast scenes
- Real-time H.264, MPEG-4 and Motion JPEG compression
- HD resolution up to 1.3M (1280x1024)
- DC iris varifocal 2.9 mm (W) to 8.2 mm (T) f1.0 CS mount lens
- Built-in mechanical IR-cut filter for day/night surveillance
- Simultaneous multi-stream support
- ePTZ
- Supports multiple access lists
- Privacy Mask feature
- SD Card slot
- 2-way audio support
- 2 alarm inputs / 1 alarm output
- Power over Ethernet (PoE)
- 3GPP mobile surveillance
- Built-in Samba client for NAS
- ONVIF-Compliant

## High Resolution Surveillance

The D-Link DCS-3710 is a high-end HD Day & Night WDR Network Camera, equipped with a 1/3" Megapixel WDR Progressive Scan CMOS sensor and a 2.9-8.2 mm DC auto iris lens. The DCS-3710 captures video in both dark and light environments, and even subjects shot with backlighting by neutralizing imperfect lighting and generating a realistic image. In addition, the removable IR-cut filter for day/night functionality provides clear detail and high quality video at any hour of the day. The DCS-3710 incorporates Power over Ethernet (PoE) allowing it to be easily installed in a variety of locations.

## Wide Dynamic Range (WDR) Applications

The Wide Dynamic Range (WDR) function provides clear video even under backlit conditions where the intensity of illumination can vary significantly, making the DCS-3710 perfect for extreme high-contrast environments. For example, when placed indoors, the DCS-3710 will adjust itself to the intense sunlight that may be streaming in through a nearby window. This makes it an ideal solution for high contrast scenes, such as lobbies, entryways and shipping docks.

## Flexible Connectivity

The DCS-3710 includes input and output ports allowing connectivity to external devices such as IR sensors, switches, and alarm relays. It also comes with an RS-485 interface, providing connectivity to an optional pan/tilt enclosure which effectively adds pan/tilt functionality to the DCS-3710.

### Day and Night Functionality

The DCS-3710 supports simultaneous streaming of H.264, MPEG-4, and MJPEG video to provide both high-quality and bandwidth-efficient compression formats. MJPEG delivers excellent file integrity, ideal for situations which require high image detail. H.264 and MPEG-4 produce a small file size, useful for extended recording or for use in low-bandwidth networks.

### Multiple Video Streams

The DCS-3710 supports simultaneous streaming of H.264, MPEG-4, and MJPEG video to provide both high-quality and bandwidth-efficient compression formats. MJPEG delivers excellent file integrity, ideal for situations which require high image detail. H.264 and MPEG-4 produce a small file size, useful for extended recording or for use in low-bandwidth networks.

### D-ViewCam™ for Management

The included D-ViewCam™ IP camera surveillance software is a comprehensive surveillance system designed to centrally manage multiple IP cameras. Supporting up to 32 IP cameras, D-ViewCam™ is compatible with all current D-Link IP cameras and offers digital monitoring and recording capabilities of video, audio, and events for various security applications. The D-ViewCam™ software is included free of charge with the DCS-3710.

### Open Network Video Interface Forum (ONVIF)

ONVIF is an open industry forum for the development of a global standard for the interface of IP-based physical security products. ONVIF identifies a standard for how IP products within video surveillance and other physical security areas can communicate with each other ensuring interoperability between products regardless of brand. The DCS-3112 is ONVIF-Compliant and therefore compatible with many third party Video Management Software (VMS) solutions.



Technical Specifications	
Camera	
Hardware Profile	<ul style="list-style-type: none"> <li>• Sony Exmor 1/3" 1.3 Megapixel progressive CMOS sensor</li> <li>• Minimum illumination: 0.2 lux (Color); 0.02 lux (B/W)</li> <li>• Built-in Infrared-Cut Removable (ICR) Filter module</li> <li>• WDR SN ratio: 100 dB</li> <li>• 10X digital zoom</li> <li>• DC iris varifocal length: 2.9 mm to 8.2 mm</li> <li>• Aperture: F1.0</li> </ul>
Angle of View	<ul style="list-style-type: none"> <li>• Horizontal: 95° to 35.6° / Vertical: 69° to 26.7°</li> </ul>
Image Features	<ul style="list-style-type: none"> <li>• Configurable image size, quality, frame rate, and bit rate</li> <li>• Time stamp and text overlays</li> <li>• Configurable motion detection windows</li> <li>• 3 configurable privacy mask zones</li> <li>• Configurable white balance, shutter speed, brightness, saturation, contrast, and sharpness</li> </ul>
Video Compression	<ul style="list-style-type: none"> <li>• H.264/MPEG-4/MJPEG simultaneous format compression</li> <li>• JPEG for still images</li> </ul>
Video Resolution	<ul style="list-style-type: none"> <li>• 16:9 - 1280 x 720, 800 x 450, 640 x 360, 480 x 270, 320 x 176, 176 x 144</li> <li>• 4:3 - 1280 x 1024, 1280 x 960, 1024 x 768, 800 x 600, 640 x 480, 480 x 360, 320 x 240, 176 x 144</li> <li>• All resolutions support frame rates of up to 30 fps</li> </ul>
Audio Support	<ul style="list-style-type: none"> <li>• G.726</li> </ul>
External Device Interface	<ul style="list-style-type: none"> <li>• 2 DI / 1 DO interface</li> <li>• 12 V DC, 200 mA Output</li> <li>• RS-485</li> <li>• SD card</li> <li>• Audio input / output</li> <li>• Video output</li> </ul>

Network	
Network Protocols	<ul style="list-style-type: none"> <li>• IPv4</li> <li>• TCP/IP</li> <li>• UDP</li> <li>• ICMP</li> <li>• DHCP Client</li> <li>• NTP Client (D-Link)</li> <li>• DNS Client</li> <li>• DDNS Client (D-Link)</li> <li>• SMTP Client</li> <li>• FTP Client</li> </ul>
	<ul style="list-style-type: none"> <li>• HTTP / HTTPS</li> <li>• Samba Client</li> <li>• PPPoE</li> <li>• UPnP Port Forwarding</li> <li>• RTP / RTSP / RTCP</li> <li>• IP filtering</li> <li>• 3GPP</li> <li>• IGMP</li> <li>• ONVIF-Compliant</li> </ul>
Security	<ul style="list-style-type: none"> <li>• Administrator and user group protection</li> <li>• Password authentication</li> </ul>
	<ul style="list-style-type: none"> <li>• HTTP and RTSP digest encryption</li> </ul>
System Management	
System Requirements for Web Interface	<ul style="list-style-type: none"> <li>• Operating System:               <ul style="list-style-type: none"> <li>- Windows® 7, Windows Vista®, Windows® XP, Windows® 2000</li> </ul> </li> </ul>
	<ul style="list-style-type: none"> <li>• Browser:               <ul style="list-style-type: none"> <li>- Internet Explorer, Mozilla Firefox, Netscape, Opera</li> </ul> </li> </ul>
Event Management	<ul style="list-style-type: none"> <li>• Motion detection</li> <li>• Event notification and upload snapshots/video clips via HTTP, SMTP or FTP</li> </ul>
	<ul style="list-style-type: none"> <li>• Supports multiple HTTP, SMTP and FTP servers</li> <li>• Multiple event notification</li> <li>• Multiple recording methods for easy backup</li> </ul>
Remote Management	<ul style="list-style-type: none"> <li>• Configuration accessible via web browser</li> <li>• Take snapshots/video clips and save to local hard drive or NAS via web browser</li> </ul>
Mobile Support	<ul style="list-style-type: none"> <li>• Windows 7®/Vista®/XP® system, Pocket PC, or mobile phone with 3GPP playback support</li> </ul>
D-ViewCam™ System Requirements	<ul style="list-style-type: none"> <li>• Operating System: Microsoft Windows 7/Vista/XP</li> <li>• Web Browser: Internet Explorer 6 or higher</li> </ul>
	<ul style="list-style-type: none"> <li>• Protocol: Standard TCP/IP</li> </ul>
D-ViewCam™ Software Functions	<ul style="list-style-type: none"> <li>• Remote management/control of up to 32 cameras</li> <li>• Viewing of up to 32 cameras on one screen</li> </ul>
	<ul style="list-style-type: none"> <li>• Supports all management functions provided in web interface</li> <li>• Scheduled motion triggered or manual recording options</li> </ul>
General Specifications	
Power Input	<ul style="list-style-type: none"> <li>• 12V DC 1.25 A, 50/60 Hz, 802.3af PoE</li> </ul>
Max. Power Consumption	<ul style="list-style-type: none"> <li>• 3.8 watts</li> </ul>
Operating Temperature	<ul style="list-style-type: none"> <li>• 0° to 40°C (32° to 104 °F)</li> </ul>
Storage Temperature	<ul style="list-style-type: none"> <li>• -20° to 70 °C (-4° to 158 °F)</li> </ul>
Humidity	<ul style="list-style-type: none"> <li>• 20% to 80% non-condensing</li> </ul>
Weight	<ul style="list-style-type: none"> <li>• 1.25lbs (569 grams)</li> </ul>
Certifications	<ul style="list-style-type: none"> <li>• CE (Class A)</li> <li>• CE LVD (EN6 0965-1)</li> <li>• FCC (Class A)</li> <li>• ICES-003</li> <li>• C-Tick</li> </ul>
Dimensions	<ul style="list-style-type: none"> <li>• Length (with Lens): 7.37in (187.1mm)</li> <li>• Length (without Lens): 5.4in (135.9mm)</li> <li>• Width 3.13in (79.7mm)</li> <li>• Height : 2.08in (52.9mm))</li> </ul>

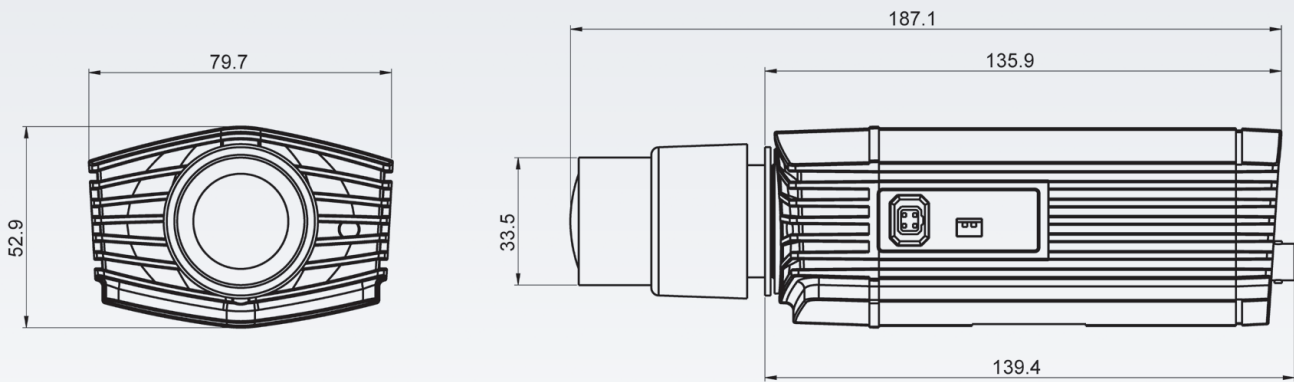
# DCS-3710 HD Day & Night WDR Network Camera

Warranty	
Warranty	• 5-Year Warranty <sup>1</sup>
Order Information	
Part Number	Description
DCS-3710	HD Day & Night WDR Network Camera DCS-3710
DCS-55	Outdoor Camera Enclosure, PoE-Powered, IP66 Certified
DNS-726-4	SecureCenter 2-Bay Network Video Recorder (NVR) Pro Edition

<sup>1</sup>5-Year Warranty available only in the USA

All references to speed are for comparison purposes only. Product specifications, size and shape are subject to change without notice, and actual product appearance may differ from that depicted herein.

Updated 4/19/12



## For more information

D-Link Systems, Inc. | 17595 Mt. Herrmann Street | Fountain Valley, CA 92708 | 800.326.1688 | dlink.com

©2012 D-Link Corporation/D-Link Systems, Inc. All rights reserved. D-Link, and the D-Link logo, and D-ViewCam are trademarks or registered trademarks of D-Link Corporation or its subsidiaries in the United States and/or other countries. Other trademarks or registered trademarks are the property of their respective owners. Visit [www.dlink.com](http://www.dlink.com) for more details.

