

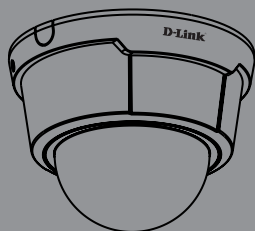


Quick Install Guide

Fixed Dome Network Camera

This document will guide you through the basic installation process for your new D-Link Network Camera.

DCS-6112/DCS-6113



Documentation also available on
CD and via the D-Link Website

DCS-6112/DCS-6113 Quick Install Guide

This installation guide provides basic instructions for installing the DCS-6112/DCS-6113 Network Camera on your network. For additional information about how to use the camera, please see the User Manual which is available on the CD include in this package or from the D-Link support website.

Installation Steps

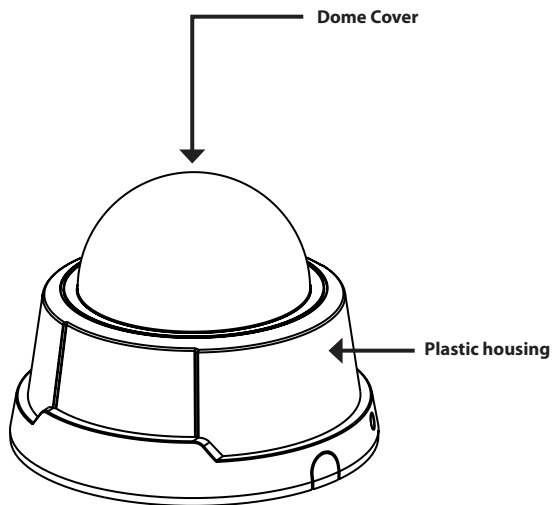
1. Verify the package contents against the list below.
2. Hardware Overview
3. Hardware Installation
4. Configuration with Wizard
5. Adjust the Viewing Angle
6. Attaching the Enclosure

1. Package Contents

- DCS-6112/DCS-6113 Network Camera
- Manual and Software on CD-ROM
- CAT5 Ethernet Cable
- AV / Power cable
- Power Adapter
- Screwdriver
- Screw
- Alignment Sticker
- Quick Install Guide
- Cable Tie

If any of the above items are missing, please contact your reseller.

2. Hardware Overview



Light Sensor

Judges lighting conditions and switches between day mode and night mode accordingly (Control IR-LED and ICR on/off) (DCS-6113 only).

Infrared LEDs

Used to illuminate the camera's field of view at night (DCS-6113 only).

Lens

Fixed focus lens.

3-Axis Mechanism

Adjust the camera's image to achieve the desired orientation.

Ethernet (PoE) Port

RJ-45 connector for an Ethernet cable which can also be used to power the camera using PoE.

MicroSD Card Slot

Local MicroSD card for storing recorded images and video.

Audio Input / Output

Audio input/output connector for external speaker.

Reset

Press and hold this button for 10 seconds to reset the camera.

LED

Power and network indicator.

NTSC/PAL Switch

Switch for NTSC/PAL video format.

DC Input

Connects to the 12V DC power adapter to power the camera.

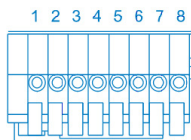
Video Output

Video output connector for TV/Monitor.

Digital Input (DI) /Output (DO)

DI/DO connectors provide a physical interface to send and receive digital signals to and from a variety of external devices.

Audio I/O and DI/DO



- 1: Power + 12V output
- 2: Digital output
- 3: Digital input
- 4: Ground (power)
- 5: Audio input
- 6: Ground (audio input)
- 7: Audio output
- 8: Ground (audio output)

DC input / Video Output

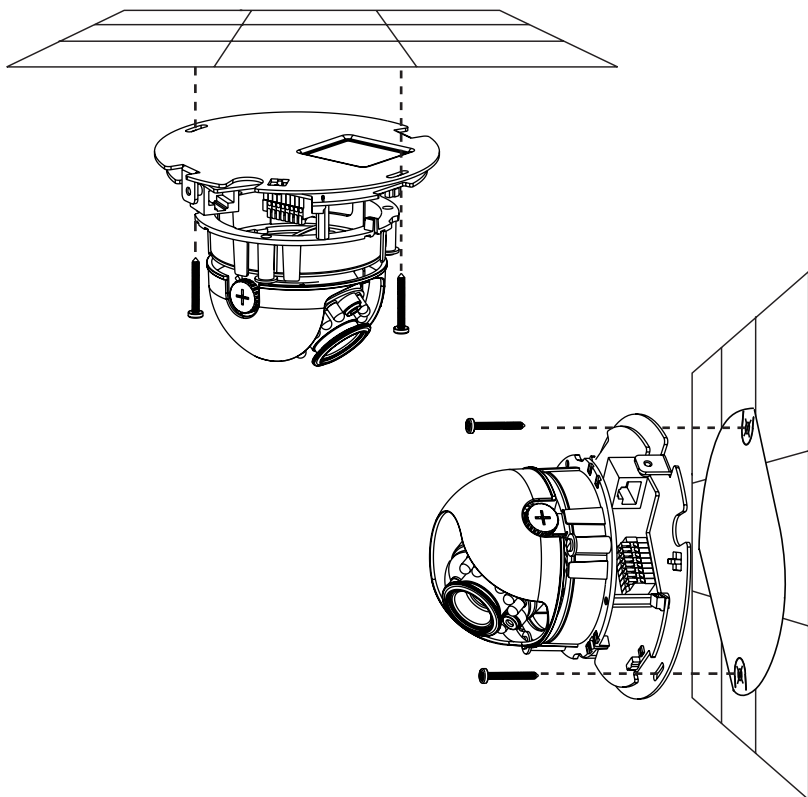


- 1: Ground (Video out)
- 2: Video output
- 3: Ground (DC input)
- 4: DC 12V input

3. Hardware Installation

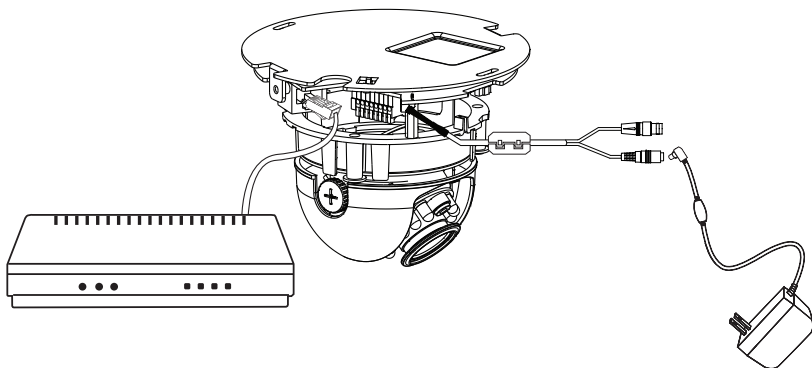
Mounting to a Ceiling or a Wall

1. Locate an area on the ceiling or wall which is suitable of supporting the weight of the camera.
2. Attach the alignment stencil to the ceiling or wall.
3. Drill two pilot holes where the holes of the alignment stencil are located.
4. Insert the supplied plastic anchors into the drilled holes, and align the holes at the base of the camera with the plastic anchors.
5. The camera can be mounted with the cable routed through the ceiling, wall or from the side.
6. Insert the provided screws through the holes. Use a screwdriver to tighten and secure.



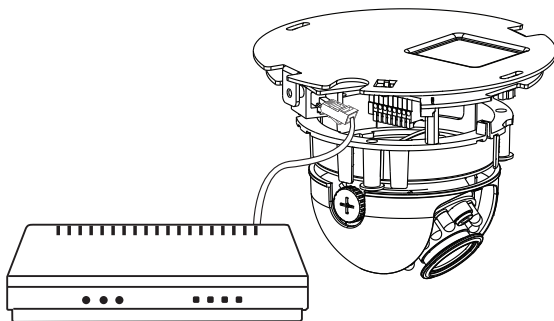
General Connection (without PoE)

Connect the network camera to a switch or router via an Ethernet cable then connect the supplied power cable from the camera to a power outlet.



Connection with a PoE Switch

If using a PoE switch or router, connect the network camera to the switch or router via an Ethernet cable, which will provide both power and data transmission over a single cable.



4. Configuration with Wizard

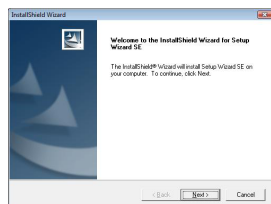
Insert the DCS-6112/DCS-6113 CD into your computer's CD-ROM drive to begin the installation. If the autorun function on your computer is disabled, or if the D-Link Launcher fails to start automatically, click **Start > Run**. Type **D:\autorun.exe**, where D: represents the drive letter of your CD-ROM drive.

Click **Setup Wizard** to begin the installation.

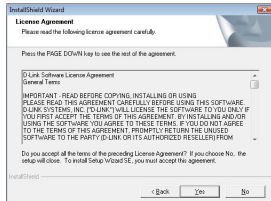


After clicking Setup Wizard, the following window will open.

Click **Next** to continue.

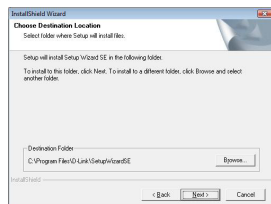


Click **Yes** to accept the License Agreement.

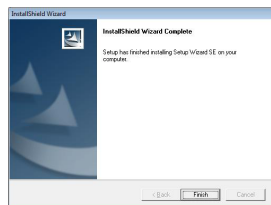


To start the installation process, click **Next**.

Note: The installation may take several minutes to finish.

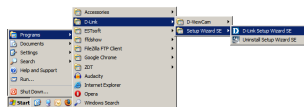


Click **Finish** to complete the installation.



Click on the **D-Link Setup Wizard SE** icon that was created in your Windows Start menu.

Start > D-Link > Setup Wizard SE



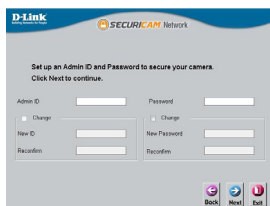
The Setup Wizard will appear and display the MAC address and IP address of your camera(s). If you have a DHCP server on your network, a valid IP Address will be displayed. If your network does not use a DHCP server, the network camera's default static IP **192.168.0.20** will be displayed.

Click the **Wizard** button to continue.



Enter the Admin ID and password. When logging in for the first time, the default Admin ID is **admin** with the password left blank.

Click **Next** to proceed to the next page.



Select **DHCP** if your camera obtains an IP address automatically when it boots up. Select **Static IP** if the camera will use the same IP address each time it is started.

Click **Next** to proceed to the next page.



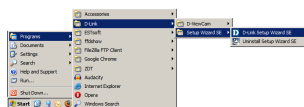
Confirm your settings and click **Restart**.



Viewing Camera via Web Browser

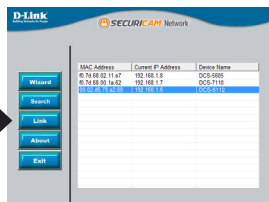
Click on the **D-Link Setup Wizard SE** icon that was created in your Windows Start menu.

Start > D-Link > Setup Wizard SE

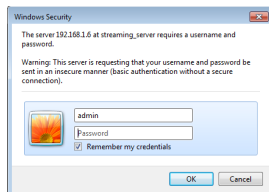


Select the camera and click the button labeled **"Link"** to access the web configuration.

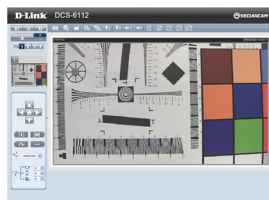
The Setup Wizard will automatically open your web browser to the IP address of the camera.



Enter **admin** as the default username and leave the password blank. Click **OK** to continue.



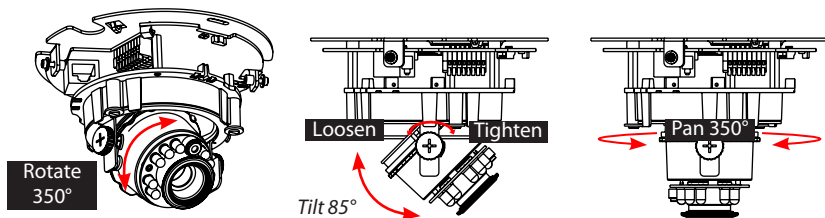
This section shows your camera's live video. You can select your video profile and view or operate the camera. For additional information about web configuration, please refer to the user manual included on the CD-ROM or the D-Link website.



5. Adjust the viewing angle

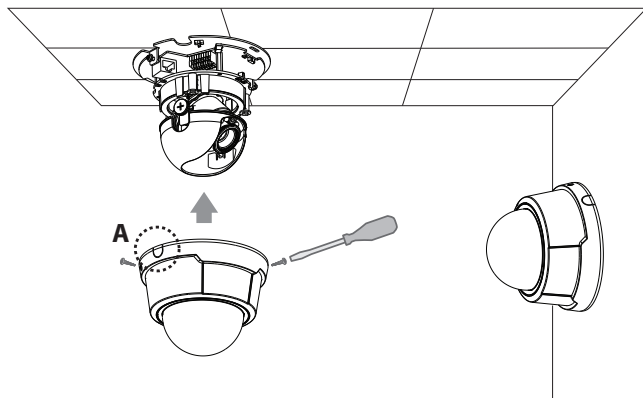
Loosen the pan screw and turn the lens module left and right until the desired position is achieved. Tighten the pan screw once completed. Loosen the tilt screws on both sides of the camera and then turn the lens module up and down until the desired position is achieved. Tighten the tilt screws once completed.

Loosen the image adjustment screw and turn the lens to adjust the network camera's image until the desired orientation is achieved. Tighten the image adjustment screw once completed.



6. Attaching the Enclosure

1. Align the inner-side of the black cover with the notch on both sides of the lens.
2. If you choose to feed the cable through the ceiling or wall, arrange the cable neatly through the cable hole. If you choose to feed the cable from the side, remove plate A.
3. Attach the dome cover to the camera as shown below. The dome cover cannot be attached if the angle does not fit.
4. Finally, make sure all parts of the camera are installed securely.



Notes

Technical Support

D-Link's website contains the latest user documentation and software updates for D-Link products.

U.S. and Canadian customers can contact D-Link Technical Support through our website or by phone.

United States

Telephone
(877) 354-6555

World Wide Web
<http://support.dlink.com>

Canada

Telephone
(877) 354-6560

World Wide Web
<http://support.dlink.ca>

D-Link®

Version 1.0
October 7, 2011

Copyright ©2011 D-Link Corporation/D-Link Systems, Inc. All rights reserved. D-Link and the D-Link logo are registered trademarks of D-Link Corporation or its subsidiaries in the United States and other countries. Other trademarks are the property of their respective owners. Product specifications, size and shape are subject to change without notice, and actual product appearance may differ from that depicted on the packaging. Visit www.dlink.com (US) or www.dlink.ca (Canada) for more details.