



# User Manual

## Full HD Outdoor Fixed Dome Network Camera

DCS-6314

---

# Preface

D-Link reserves the right to revise this publication and to make changes in the content hereof without obligation to notify any person or organization of such revisions or changes. Information in this document may become obsolete as our services and websites develop and change.

## Manual Revisions

| Revision | Date          | Description  |
|----------|---------------|--|
| 1.0      | June 27, 2013 | Initial Release for Revision A1 with firmware version 1.00 |

## Trademarks

D-Link and the D-Link logo are trademarks or registered trademarks of D-Link Corporation or its subsidiaries in the United States or other countries. All other company or product names mentioned herein are trademarks or registered trademarks of their respective companies.

Copyright © 2013 D-Link Corporation.

All rights reserved. This publication may not be reproduced, in whole or in part, without prior expressed written permission from D-Link Corporation.

---

# Table of Contents

|  |           |                                       |    |
|--|-----------|---------------------------------------|----|
| <b>Product Overview</b> .....                  | <b>5</b>  | Setup.....                            | 34 |
| Package Contents.....                          | 5         | Setup Wizard .....                    | 34 |
| Introduction .....                             | 6         | Internet Connection Setup Wizard..... | 35 |
| System Requirements.....                       | 6         | Motion Detection Setup Wizard.....    | 38 |
| Features.....                                  | 7         | Network Setup.....                    | 40 |
| Hardware Overview.....                         | 8         | Dynamic DNS .....                     | 43 |
| Front.....                                     | 8         | Image Setup .....                     | 44 |
| Top .....                                      | 9         | Audio and Video.....                  | 46 |
| Cable Harness .....                            | 10        | Preset.....                           | 48 |
| Internal .....                                 | 11        | Motion Detection .....                | 50 |
| <b>Assembly and Installation</b> .....         | <b>12</b> | Time and Date.....                    | 51 |
| Installing a microSD Card .....                | 12        | Event Setup.....                      | 52 |
| Deploying the Camera.....                      | 14        | Add Server.....                       | 54 |
| Mounting the Camera.....                       | 16        | Add Media .....                       | 55 |
| Attaching the Camera to the Pendant Mount..... | 19        | Add Event .....                       | 57 |
| Attaching the Camera to the Bent Mount.....    | 21        | Add Recording .....                   | 58 |
| Orienting the Camera .....                     | 23        | SD Card.....                          | 60 |
| Camera Installation Wizard .....               | 24        | Advanced .....                        | 61 |
| General Connection Using 12 V DC Power Adapter | 24        | Digital Input/Digital Output .....    | 61 |
| Connection Using Power over Ethernet.....      | 25        | ICR and IR.....                       | 62 |
| Software Installation .....                    | 26        | HTTPS.....                            | 63 |
| D-ViewCam Setup Wizard.....                    | 29        | Access List.....                      | 64 |
| <b>Configuration</b> .....                     | <b>31</b> | Maintenance .....                     | 65 |
| Using the Configuration Interface.....         | 31        | Admin .....                           | 65 |
| Live Video .....                               | 32        | System .....                          | 66 |
|  |           | Firmware Upgrade.....                 | 67 |

---

|   |           |
|---|-----------|
| Status .....                              | 68        |
| Device Info .....                         | 68        |
| Logs .....                                | 69        |
| Help .....                                | 70        |
| <b>DI/DO Specifications .....</b>         | <b>71</b> |
| <b>Technical Specifications .....</b>     | <b>72</b> |
| <b>Contacting Technical Support .....</b> | <b>75</b> |
| <b>Warranty.....</b>                      | <b>76</b> |
| <b>Registration .....</b>                 | <b>82</b> |

# Product Overview

## Package Contents



DCS-6314 Full HD Outdoor Fixed Dome Network Camera



CD-ROM with User Manual and software



Quick Installation Guide



Power adapter



Security Wrench



CAT5 Ethernet cable



Screws and wall socket



Weather Shield



4-Pin Terminal Block

If any of the above items are missing, please contact your reseller.

**Note:** Using a power supply with a different voltage than the one included with your product will cause damage and void the warranty for this product.

## Introduction

The DCS-6314 Full HD Outdoor Fixed Dome Network Camera is a professional surveillance and security solution for small, medium, and large enterprises. The DCS-6314 uses a two megapixel progressive scan CMOS sensor, which produces high quality images with low noise. This makes it ideal for surveillance applications. Since the DCS-6314 has Wide Dynamic Range (WDR) enhancement, image details are clear under both extremely bright as well as exceedingly dark conditions.

The DCS-6314 has an IP68 certified weatherproof housing, designed for both indoor and outdoor use. The built-in removable IR-cut filter and IR LEDs give the DCS-6314 the capability to view up to 49 feet at night. The camera supports PoE (Power over Ethernet), allowing it to be easily installed in a variety of locations without the need for supplemental power cabling. This combination of features makes the DCS-6314 a high-performance, reliable, cost-effective, 24-hour surveillance solution. Installation is simple and streamlined.

## System Requirements

- Computer with Microsoft Windows® 8, 7, Vista®, or XP (for CD-ROM Setup Wizard), Mac OS® X, or Linux
- PC with 1.3GHz or above; at least 128MB RAM
- Internet Explorer 7 or above, Firefox 3.5 or above, Safari 4, and Chrome 8.0 or above
- Existing 10/100 Ethernet-based network
- A microSD memory card (optional) is required for recording to onboard storage. SDHC Class 6 or above is recommended.
- Broadband Internet connection

## Features

### **Wide Dynamic Range**

Wide Dynamic Range technology corrects imperfect lighting conditions, providing clear images with the right amount of contrast even when a subject is backlit.

### **Remote Monitoring Utility**

The D-ViewCam application adds enhanced features and functionality for the Network Camera and allows administrators to configure and access the Network Camera from a remote site via Intranet or Internet. Other features include image monitoring, recording images to a hard drive, viewing up to 32 cameras on one screen, and taking snapshots.

### **IR LED for Day and Night Functionality**

The built-in infrared LEDs enable nighttime viewing of up to 49 feet (15 meters).

### **IP68 Weatherproof Housing**

The DCS-6314 uses an IP68 weatherproof housing. So you can rest assured that even under the toughest conditions, this camera will continue to provide round-the-clock surveillance.

### **PoE (Power over Ethernet) for Flexible Installation**

The DCS-6314 can get all the power it needs from a PoE switch or PoE injector for a simple and streamlined installation.

## Hardware Overview Front



|   |                         |  |
|---|-------------------------|--|
| 1 | <b>Light Sensor</b>     | The light sensor measures the lighting conditions and switches between color and infrared accordingly. |
| 2 | <b>Camera Lens</b>      | Vari-focal lens records video of the surrounding area.   |
| 3 | <b>IR LEDs</b>          | Infrared LEDs illuminate the camera's field of view at night.  |
| 4 | <b>Power/Status LED</b> | Status LED indicates the camera's current status.  |



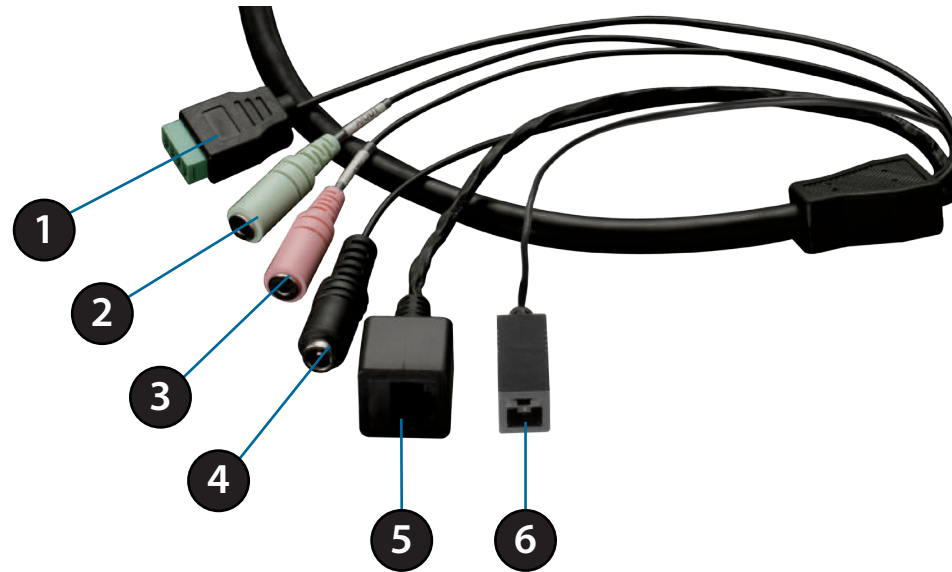
Top



|   |                           |  |
|---|---------------------------|--|
| 1 | <b>Weather Shield</b>     | Shields the camera sensor from direct sunlight.      |
| 2 | <b>Adjustment Screw</b>   | Used to secure the weather shield to the camera.     |
| 3 | <b>Bottom Camera Shoe</b> | Used to attach to the optional mounting accessories. |

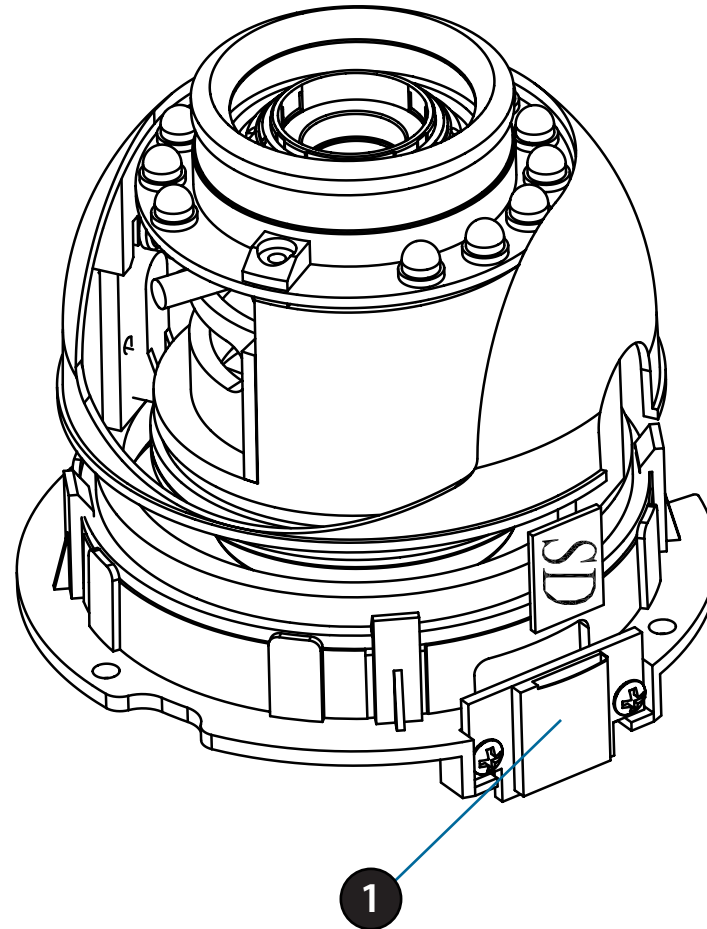
**Note:** With the weathershield attached, the video may show reflections when the IR LEDs are on and the camera is at a high angle. If you experience this, lower the angle of the camera or turn off the IR LEDs. For details on how to adjust the camera angle, refer to ["Orienting the Camera" on page 23](#). For details on how to turn the IR LEDs on/off, see ["ICR and IR" on page 62](#).

## Cable Harness



|   |                          |  |
|---|--------------------------|--|
| 1 | <b>DI/DO Connector</b>   | I/O connectors for external devices. 12V DC output.                                      |
| 2 | <b>Audio Out (Green)</b> | Connects to a speaker.   |
| 3 | <b>Audio In (Red)</b>    | Connects to a microphone.  |
| 4 | <b>Power Connector</b>   | Power connector for the provided 12V DC power adapter.                                   |
| 5 | <b>Ethernet Jack</b>     | Connects to an RJ-45 Ethernet port. Can be used with PoE to provide power to the camera. |
| 6 | <b>Reset Button</b>      | Press and hold the recessed button for 10 seconds to reset the camera.                   |

## Internal



|   |                          |  |
|---|--------------------------|--|
| 1 | <b>microSD Card Slot</b> | Insert a microSD card for storing recorded images and video. |
|---|--------------------------|--|

**Note:** For step-by-step instructions on how to insert a microSD card, refer to "Installing a microSD Card" on the next page.

# Assembly and Installation

## Installing a microSD Card

### Step 1

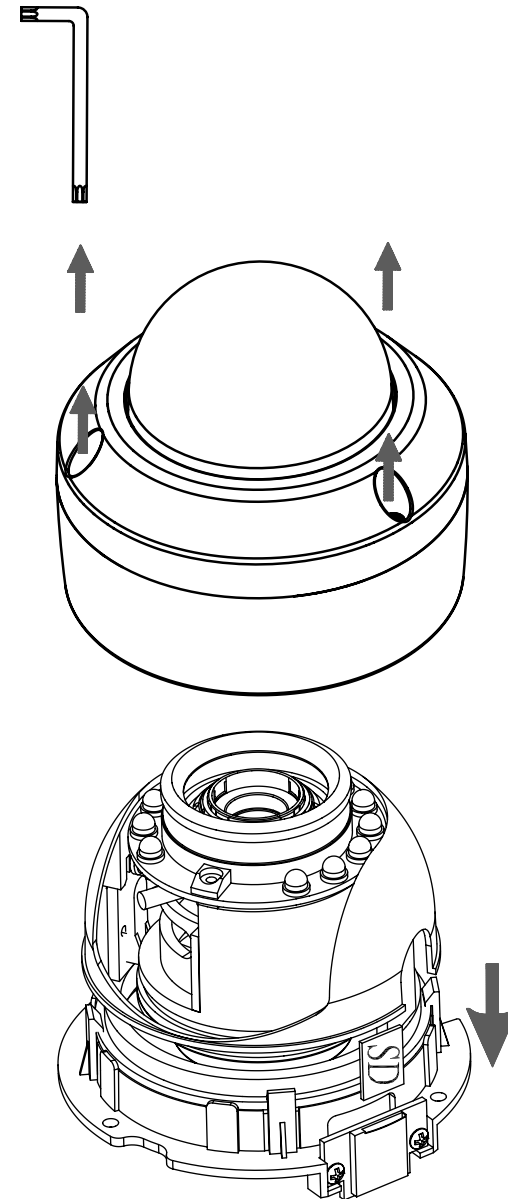
Place the camera face down on a non-slip flat surface.

### Step 2

Remove the adjustable top part of the camera housing after removing the three retaining screws.

### Step 3

Remove the base of the camera by holding the camera firmly and rotating the base in a counter clockwise direction.



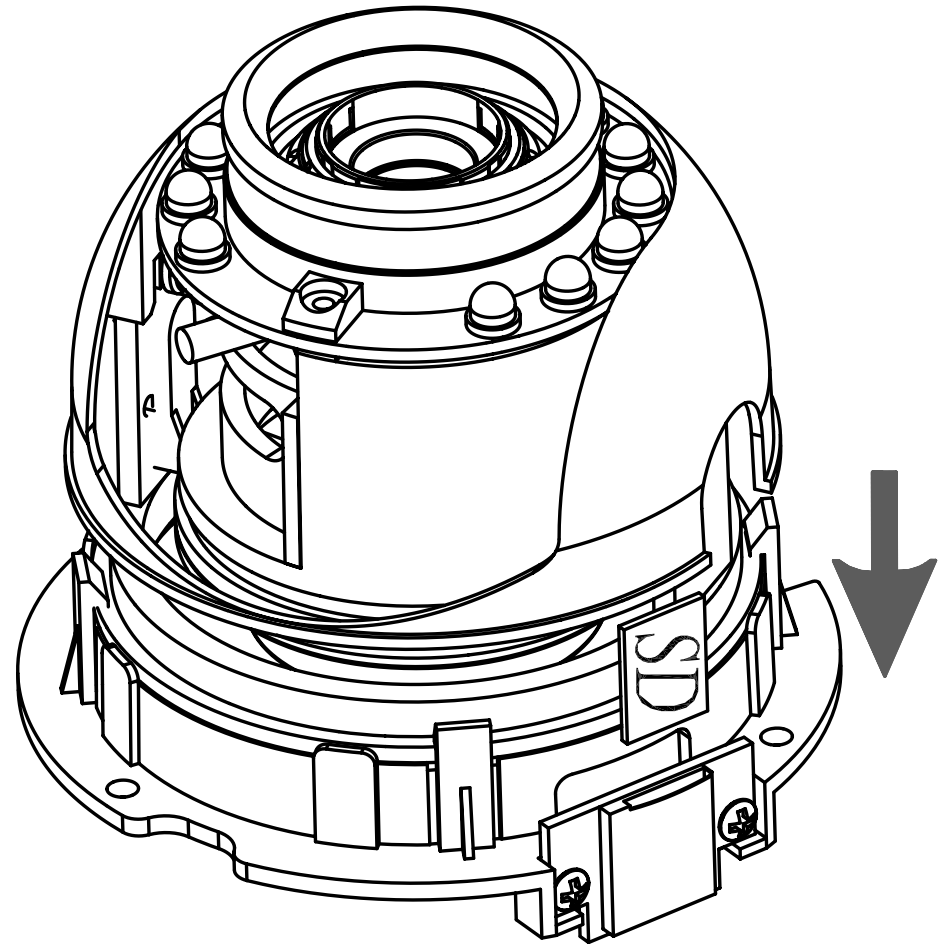
### Step 4

Insert your microSD memory card into the slot with the notch oriented toward the front of the camera.

### Step 5

Replace the base of the camera by holding the camera firmly and rotating the base in a clockwise direction ensuring a tight fit.

*Note: Make sure the weatherproof seals are secured firmly in place.*



## Deploying the Camera

**Note:** Before deploying the camera to a fixed location, it is recommended that you take a photo from the intended location to make sure the camera will have an adequate field-of-view.

### Step 1

Position the Alignment Sticker in the desired location making sure the Camera and Wire-in-Bracket have sufficient space. Use the dimension diagrams in "[Dimensions](#)" on page 74 for reference.

### Step 2

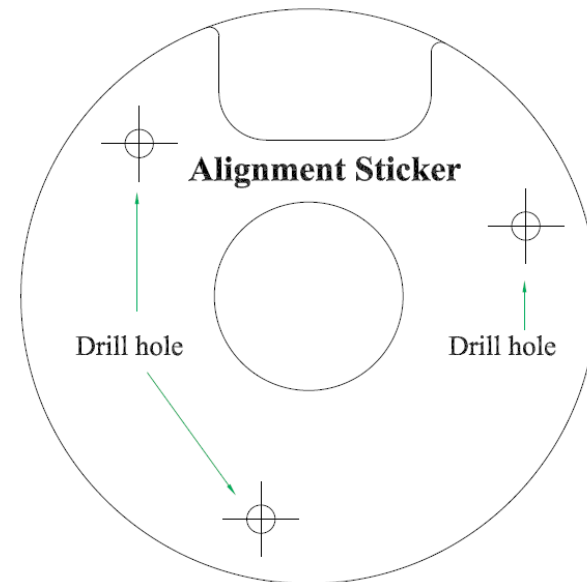
Use a 6mm drill bit to make required holes approximately 30mm deep.

### Step 3

Remove the Alignment Sticker.

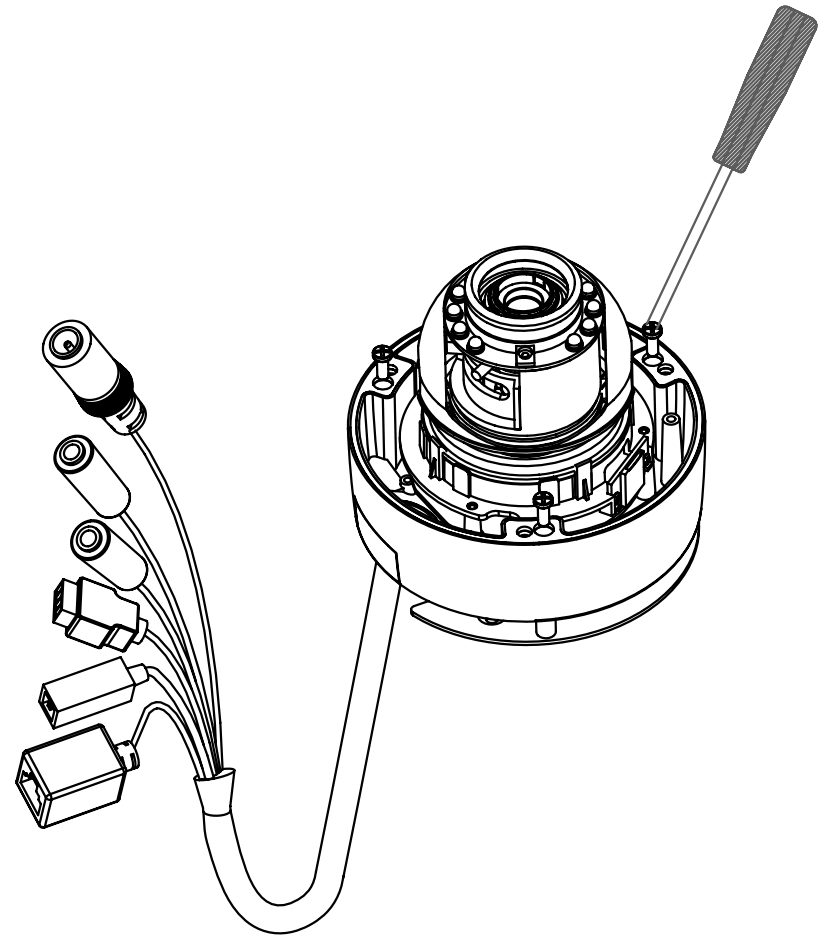
### Step 4

Insert wall anchors and attach the mounting plate using the screws provided.



**Step 5**

Secure the camera to the mounting plate using the screw provided. Make sure the cables are routed through the cable channel or via the mounting plate cut-out.



## Mounting the Camera

The DCS-6314 is suitable for mounting to a wall using the camera shoe and wire-in bracket provided.

### Step 1

Remove the top part of the camera housing, using the included tool to unscrew the three retaining screws.

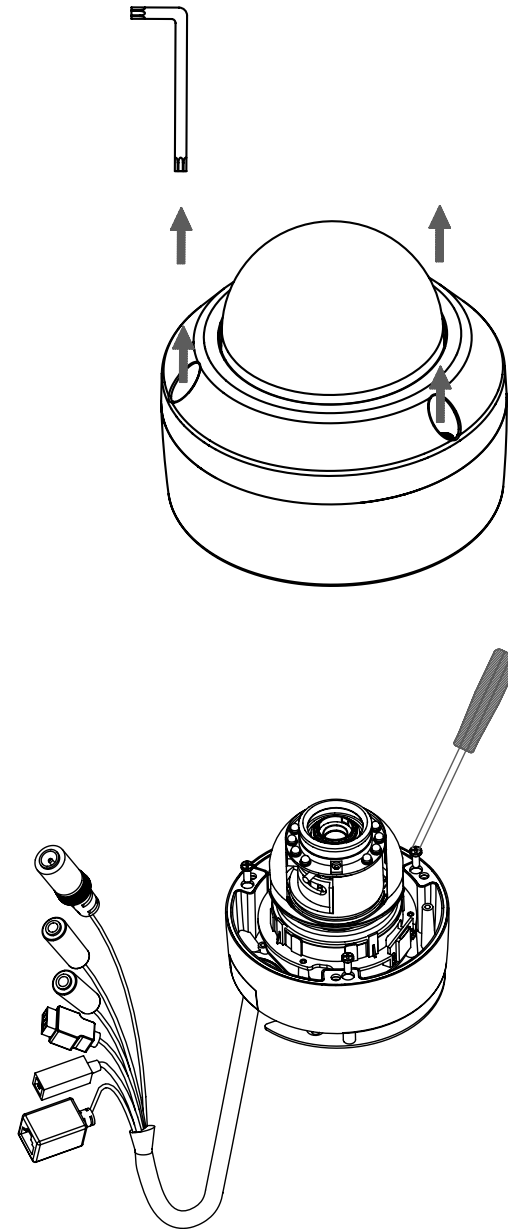
### Step 2

Once the cover has been removed, use a screwdriver to remove the bottom mounting plate from the lower half of the camera housing. The mounting plate is secured with three screws positioned around the outer edge of the lower part of the camera housing.

If you will be mounting the camera directly to a wall or ceiling, continue to the next page.

If you will be mounting the camera using the pendant mount, refer to ["Attaching the Camera to the Pendant Mount"](#) on [page 19](#).

If you will be mounting the camera using the bent mount, please refer to ["Attaching the Camera to the Bent Mount"](#) on [page 21](#).





### Step 3

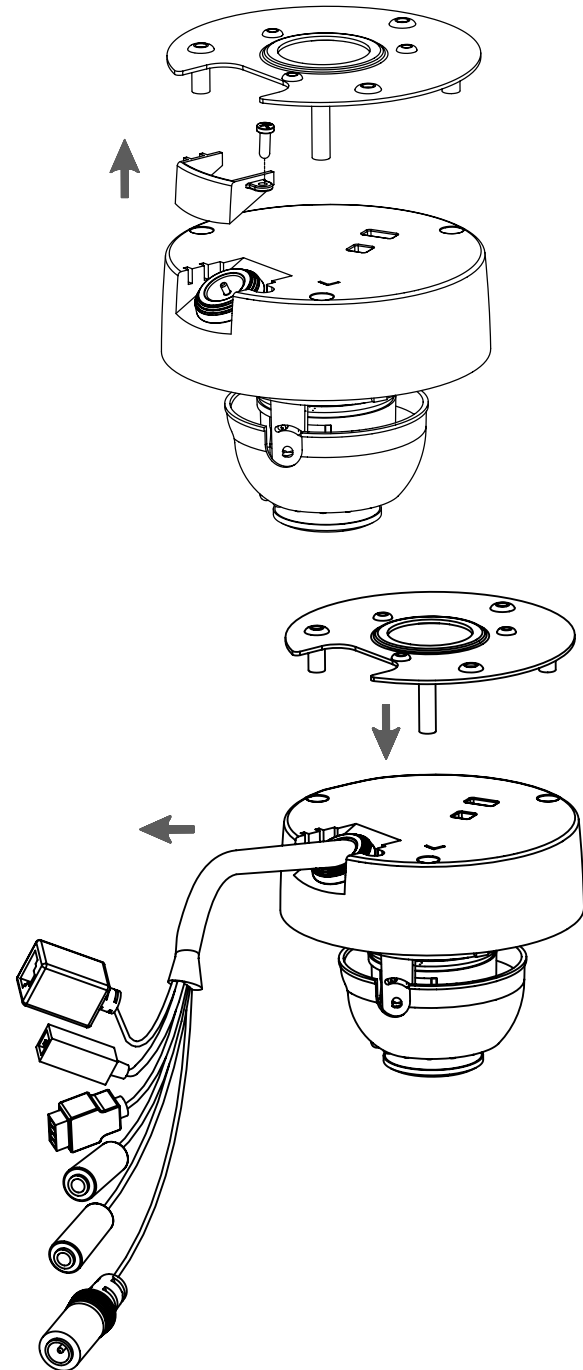
Remove the mounting plate from the lower half of the camera housing. It can now be attached to a wall or ceiling using the mounting guide. See ["Deploying the Camera" on page 14](#) for additional instructions.

If you will be routing the connection cables through a wall or ceiling, it is recommended that you leave the cable access panel attached, as it will help protect the cable from vandalism.

If you will be installing the camera onto a surface that cannot house the cable, the cable access part can be removed so that the cable can exit the camera housing easily. Once the mounting plate is removed, you will be able to remove the cable access panel.

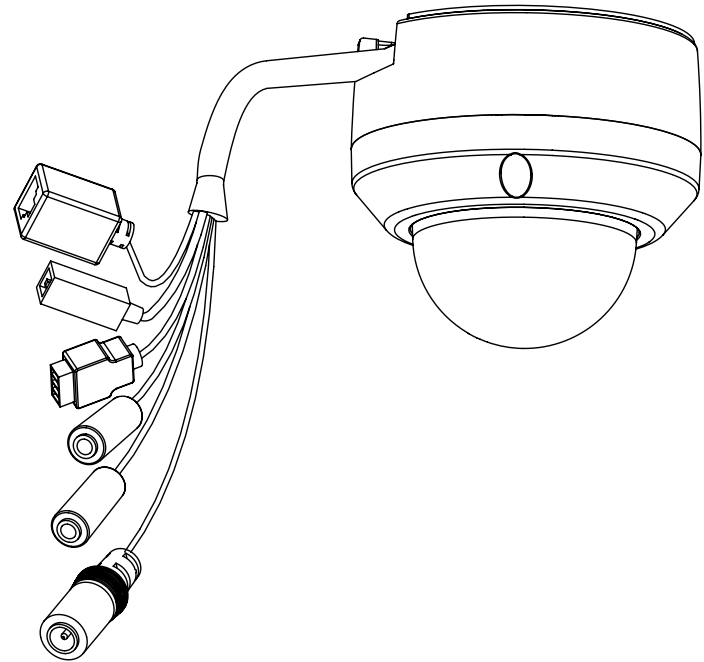
### Step 4

Slide the lower half of the camera housing onto the mounting plate and re-secure it. Make sure that the cable sheath extends out of the base in such a way that the cable is not kinked or twisted.



### Step 5

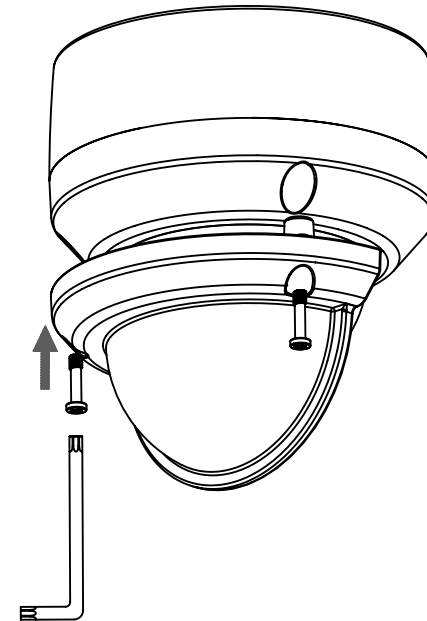
Reattach the top part of the camera housing and secure it by tightening the three retaining screws.



### Step 6

If needed, the included weather shield can now be attached to the camera.

**Note:** If you are installing the DCS-6314 in a location where it will be exposed to harsh weather, it is recommended that you install the weather shield.



## Attaching the Camera to the Pendant Mount

### Step 1

Begin by attaching the mounting plate to the bracket cap using the three screws as shown in the diagram.

### Step 2

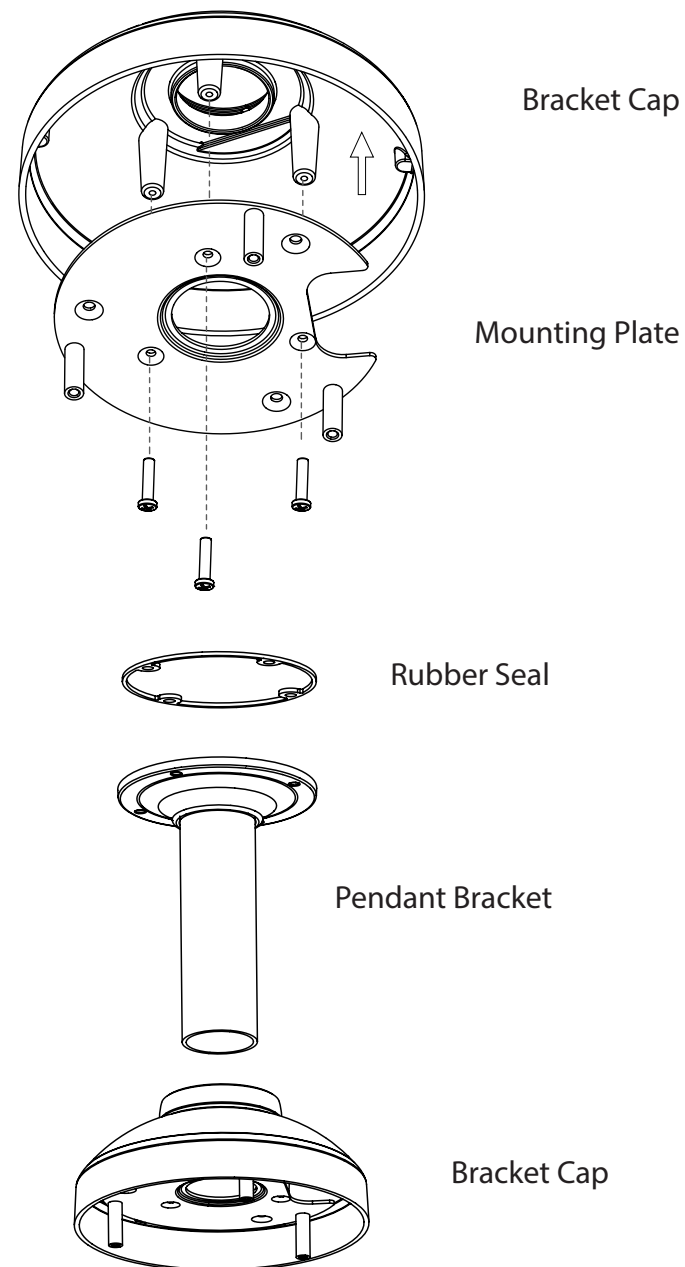
Use the included mounting guide to mark the proper placement of the mounting holes on the ceiling. Drill the corresponding holes.

### Step 3

Place the rubber seal onto the mounting part of the pendant bracket. Securely mount the rubber seal between the pendant bracket and the ceiling. If you need more details, see ["Deploying the Camera" on page 14](#).

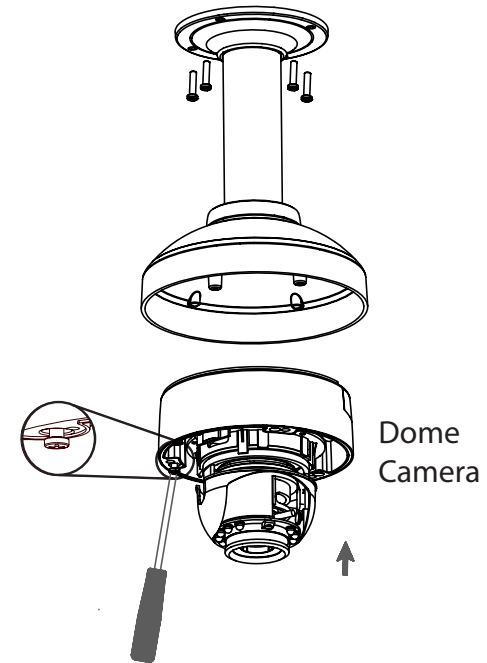
### Step 4

Attach the bracket cap by rotating it counterclockwise, in order to tighten it onto the pendant bracket.



### Step 5

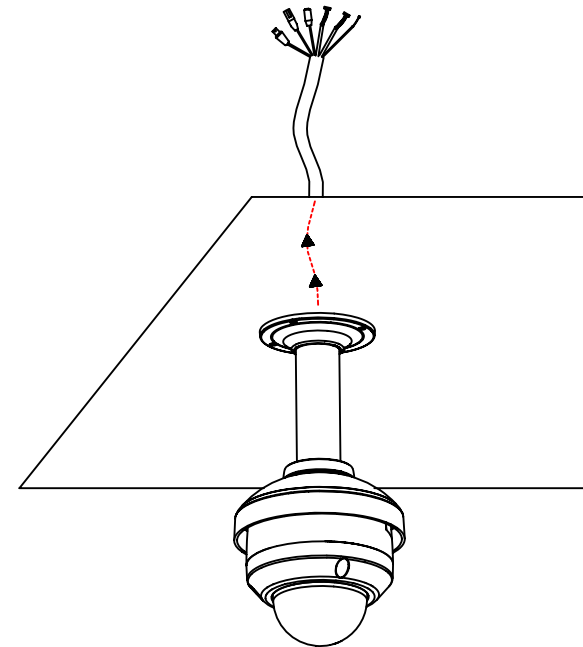
Reattach the bottom part of the camera housing, by first pushing the cable sheath up through the pendant mount. Once the cable has been pushed through, you can then firmly reattach the bottom part of the camera housing. Secure it by tightening the three retaining screws.



### Step 6

Reattach the top part of the camera housing and secure it by tightening the three retaining screws.

Refer to ["Mounting the Camera" on page 16](#) for more details, including how to attach the weather shield to the camera.



## Attaching the Camera to the Bent Mount

### Step 1

Begin by attaching the mounting plate to the bracket cap using the three screws as shown in the diagram.

### Step 2

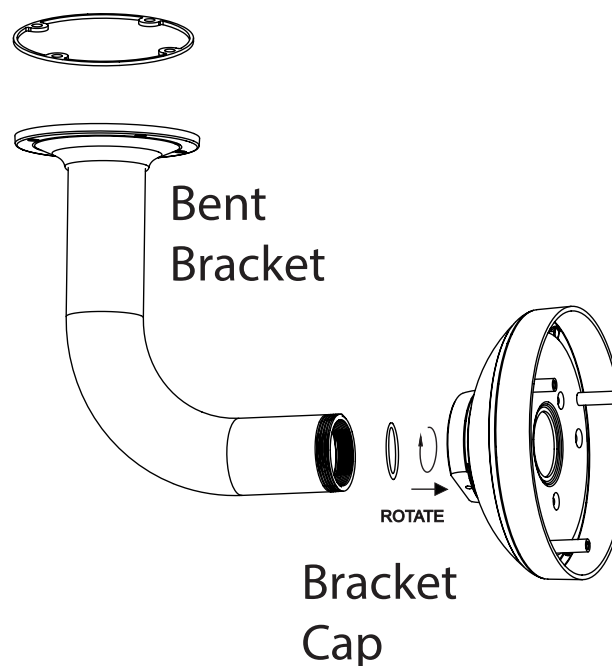
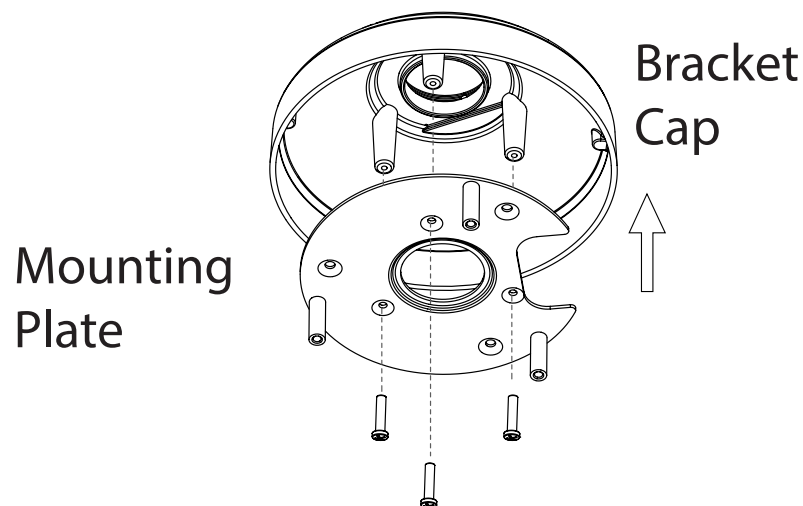
Use the included mounting guide to mark the proper placement of the mounting holes on the ceiling. Drill the corresponding holes.

### Step 3

Place the rubber seal onto the mounting part of the bent bracket. Securely mount the rubber seal between the bent bracket and the ceiling. If you need more details see ["Deploying the Camera" on page 14](#).

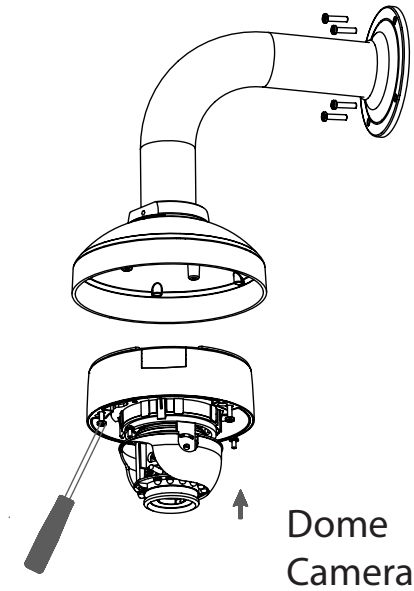
### Step 4

Attach the bracket cap by rotating it counterclockwise, in order to tighten it onto the bent bracket.



### Step 5

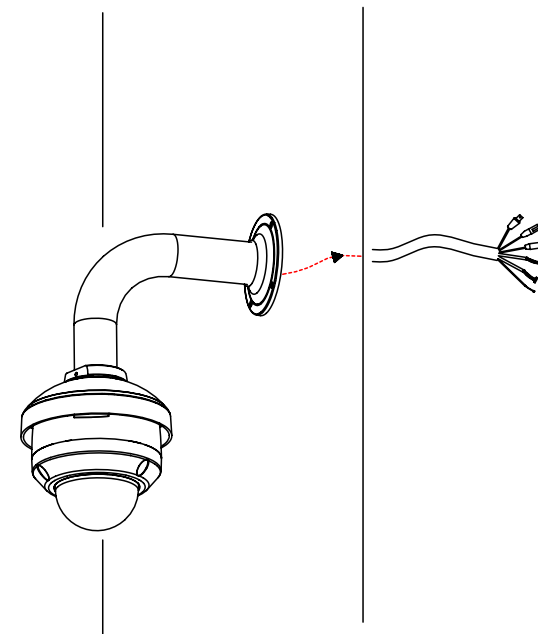
Reattach the bottom part of the camera housing, by first pushing the cable sheath up through the bent mount. Once the cable has been pushed through, you can then firmly reattach the bottom part of the camera housing. Secure it by tightening the three retaining screws.



### Step 6

Reattach the top part of the camera housing, and secure it by tightening the three retaining screws.

Refer to "[Mounting the Camera](#)" on page 16 for more details, including how to attach the weather shield to the camera.

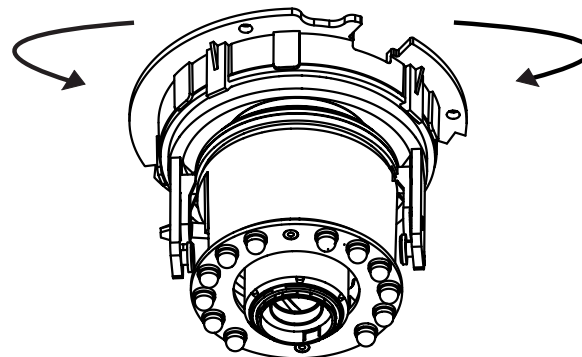


## Orienting the Camera

The DCS-6314 can be adjusted to ensure an optimal viewing position when mounted to a wall by following the steps outlined.

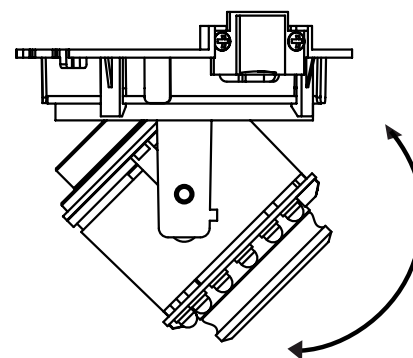
### Step 1

Turn the lens module left and right until the desired position is achieved.



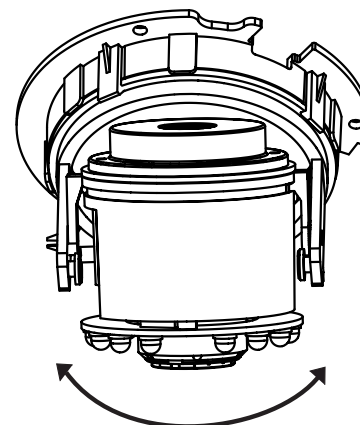
### Step 2

Loosen the tilt screws on both sides of the camera, and turn the lens module up and down until the desired position is achieved. Tighten the tilt screws.



### Step 3

Turn the lens to adjust the IP camera's image until the desired orientation is achieved.



# Camera Installation Wizard

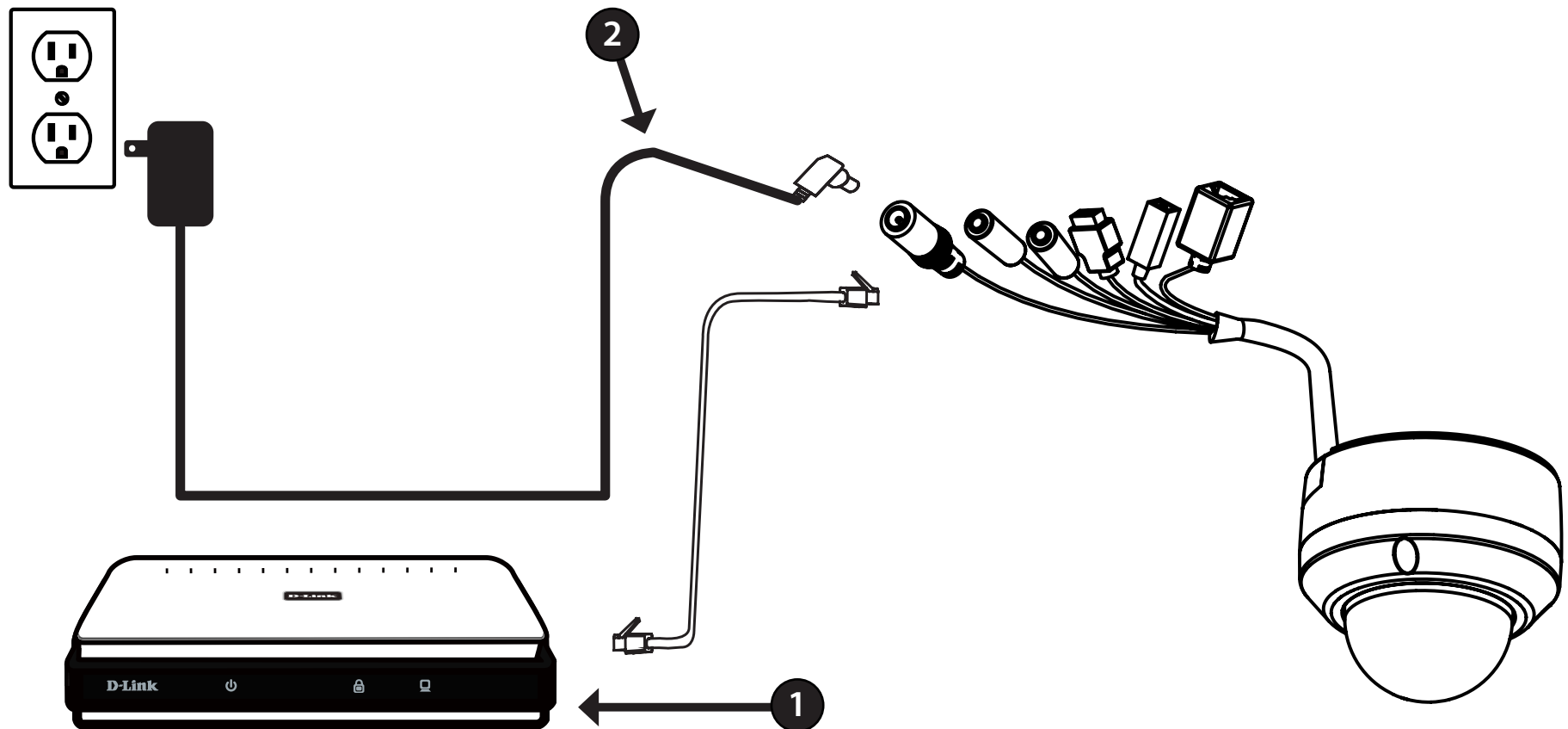
## General Connection Using 12 V DC Power Adapter

### Step 1

Connect the network camera to a switch with an Ethernet cable.

### Step 2

Connect the supplied power cable from the camera to a power outlet.

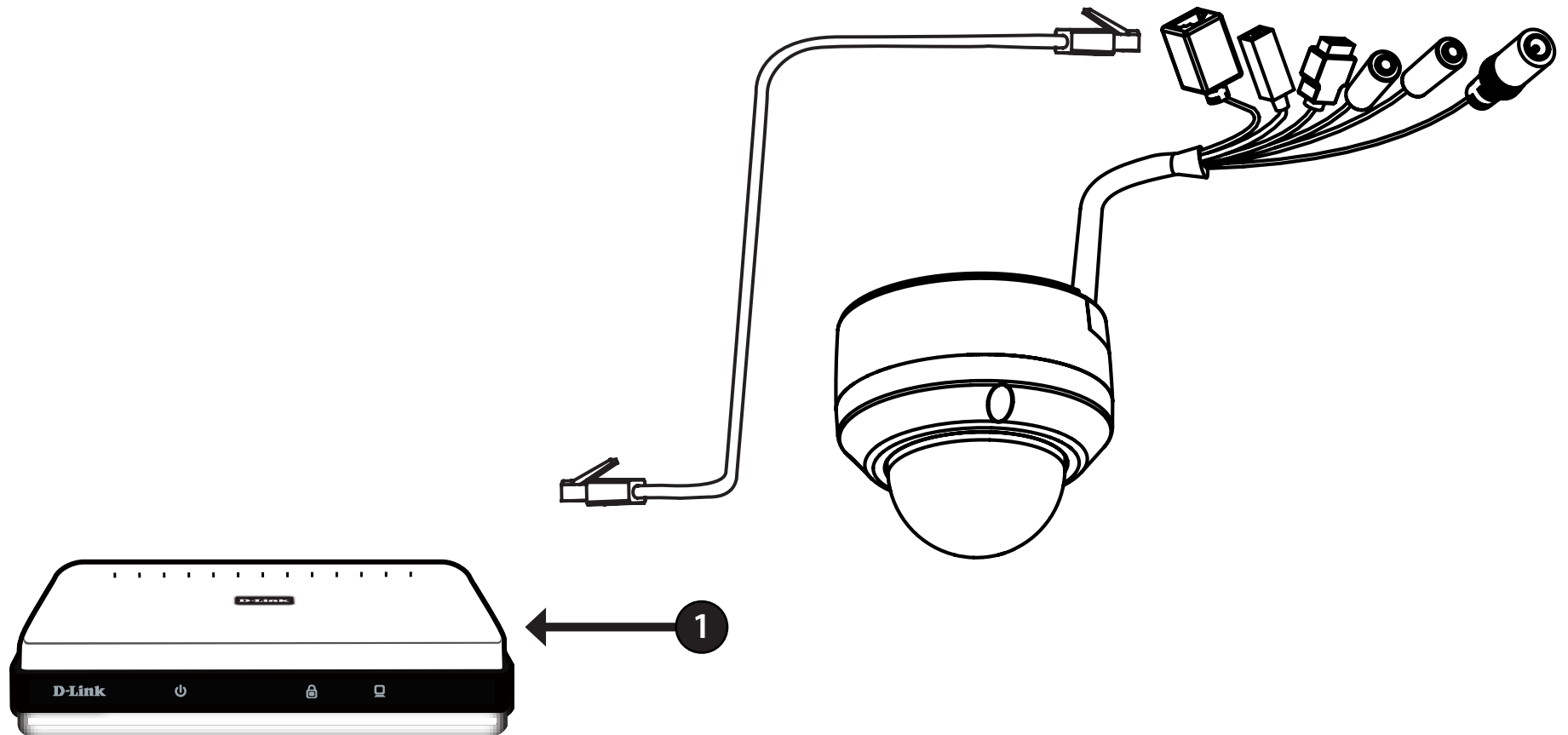




## Connection Using Power over Ethernet

### Step 1

If you are using a PoE switch, connect the IP camera to the switch with an Ethernet cable. This will enable transmission of both power and data over a single cable.



## Software Installation

### Step 1

Insert the Installation CD-ROM into your computer's CD drive to start the autorun program.

The CD-ROM will open the *Camera Installation Wizard*. The *Setup Wizard* will guide you through the installation process of configuring your camera.

**Note:** If the autorun program does not automatically start on your computer, go to Windows, click **Start > Run**. In the Run command box type **D:\autorun.exe**, where D: represents your CD-ROM drive.

### Step 2

Accept the *End User Licence Agreement*. Follow the on-screen prompts to install the *Camera Installation Wizard*.

### Step 3

Select your camera from the list, then click **Wizard**. If you have multiple cameras, you can identify them by using the MAC ID that is printed on the label attached to the back of your camera.



### Step 4

By default the *Admin ID* is **admin** and the password field should be blank. It is recommended that you create and confirm a password for your device.

Click **Next** to continue.

The screenshot shows the 'Set up an Admin ID and Password to secure your camera.' screen. It features a header with the D-Link logo and 'SECURICAM Network'. The main text reads 'Set up an Admin ID and Password to secure your camera. Click Next to continue.' Below this, there are two columns of input fields. The first column has 'Admin ID' and 'Password' fields. The second column has 'New ID', 'New Password', and 'Reconfirm' fields. Each of these second-column fields is preceded by a 'Change' checkbox. At the bottom right, there are three buttons: 'Back' (left arrow), 'Next' (right arrow), and 'Exit' (stop sign).

### Step 5

Select **Static IP** if you want to manually enter the network settings supplied by your ISP (Internet Service Provider). Or, select **DHCP** (Dynamic IP) if you want your router or DHCP server to automatically assign the camera its network settings.

**Note:** Select **DHCP** if you are unsure of which settings to choose.

Click **Next** to continue.

The screenshot shows the 'Set IP Address' screen. It features a header with the D-Link logo and 'SECURICAM Network'. The main text reads 'Set IP Address'. Below this, there are two radio button options: 'DHCP' (which is selected) and 'Static IP'. Under the 'Static IP' option, there are five input fields: 'IP Address', 'Subnet Mask', 'Default Gateway', 'Primary DNS', and 'Secondary DNS'. At the bottom right, there are three buttons: 'Back' (left arrow), 'Next' (right arrow), and 'Exit' (stop sign).

### Step 6

Confirm your camera login details and settings, and then click **Restart**.

The LED on the front of the DCS-6314 will blink, then turn solid green once it successfully connects to your network.



### Step 7

Your DCS-6314 camera is now set up. Click **Exit** to exit the wizard. You can skip to "[Configuration](#)" on page 31 for advanced configuration of your camera.



## D-ViewCam Setup Wizard

*D-ViewCam* is a comprehensive management tool for IP surveillance. *D-ViewCam* software allows the administrator to remotely manage multiple D-Link IP cameras. This software can be used to configure all the advanced settings for your cameras.

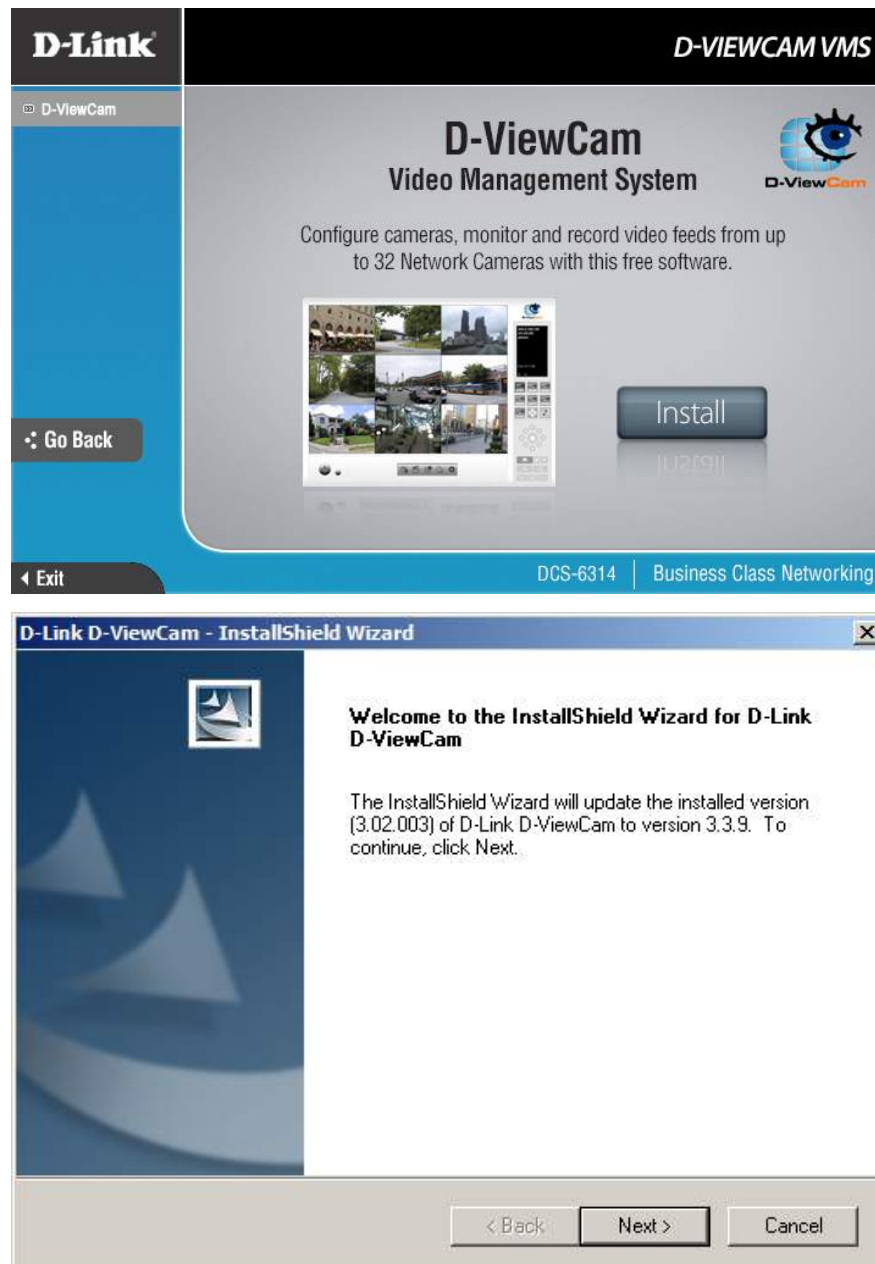
### Step 1

Insert the CD-ROM into the CD-ROM drive. Click **Install D-ViewCam Software** from menu, and select **D-ViewCam** to install the VMS software.

### Step 2

Follow the *InstallShield Wizard* to install *D-ViewCam*.

Click **Next** to continue.

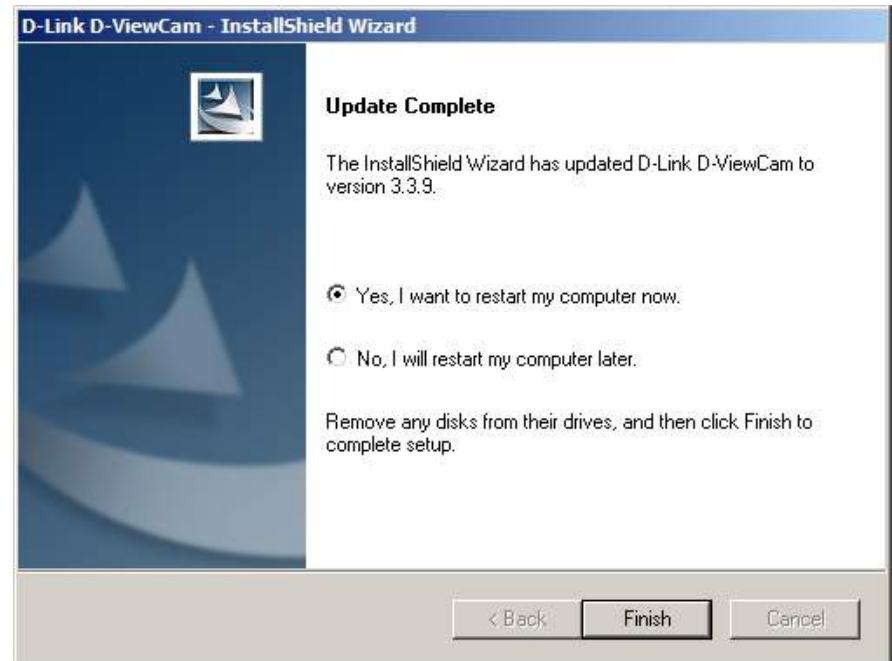


### Step 3

Select **Yes, I want to restart my computer now** or **No, I will restart my computer later**.

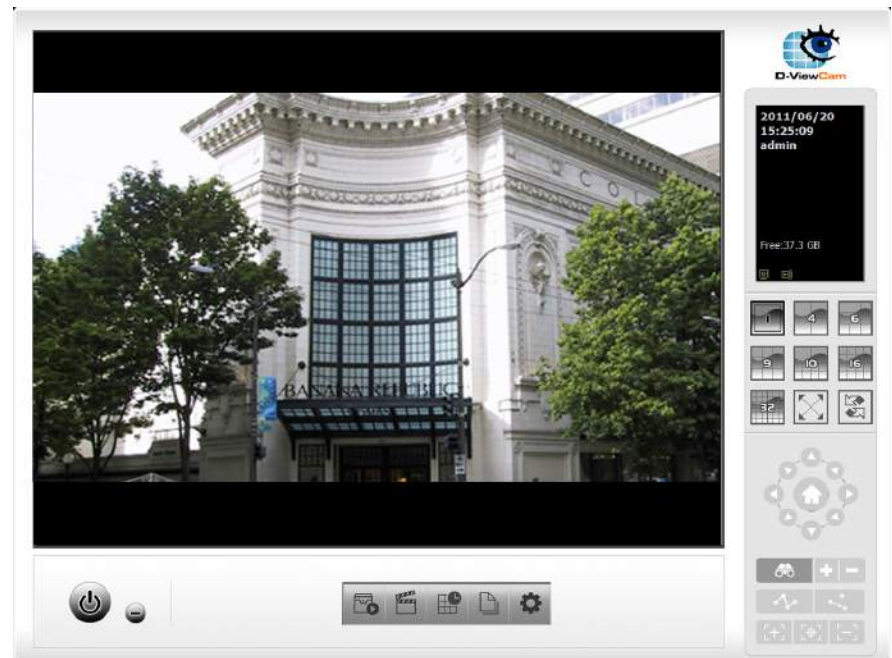
### Step 4

Remove any disks from drives and click **Finish** to complete the installation.



### Step 5

For more details about using the *D-ViewCam* software, refer to the *D-ViewCam* Manual on the included CD.



# Configuration

## Using the Configuration Interface

After completing the *Camera Installation Wizard*, you are ready to use your camera. The camera's built-in Web configuration utility is designed to allow you to easily access and configure your DCS-6314.

### Step 1

Click the **Link** button on the wizard. The *Setup Wizard* will automatically open your web browser to the IP address of your camera.

### Step 2

Log in with the **User Name admin** and the **Password** you created in the *Installation Wizard* to access the configuration interface. Click **OK**.



# Live Video

This section explains your camera's *Live Video*.

Zoom in and out on the *Live Video* image using your mouse.

- Right-Click to Zoom Out
- Left-Click to Zoom In

You may select any of the available icons described on the next page to operate your camera. The components below are mostly for display purposes, with the exception of **ePTZ Speed**.

**SD Status:** This option displays the status of the microSD card. If no microSD card has been inserted, this screen will display the message *Card Invalid*.

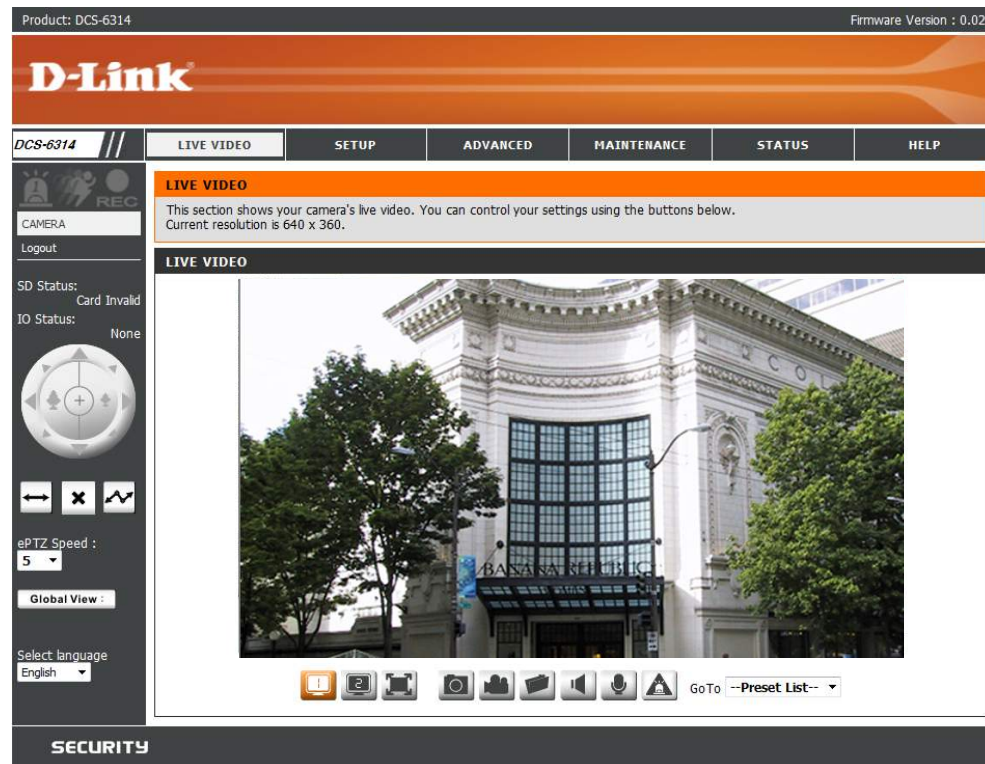
**IO Status:** This field displays the status of your I/O device if a device has been connected.

**ePTZ Speed:** You may select a value for ePTZ (electronically pan, tilt, and zoom) between zero and 10. Zero is the slowest and 10 is the fastest.

**Global View:** This window indicates the total field of view (FOV) of the camera. The red box indicates the visible region of interest (ROI).

















**Language:** You may select the language for the UI using this drop-down menu.

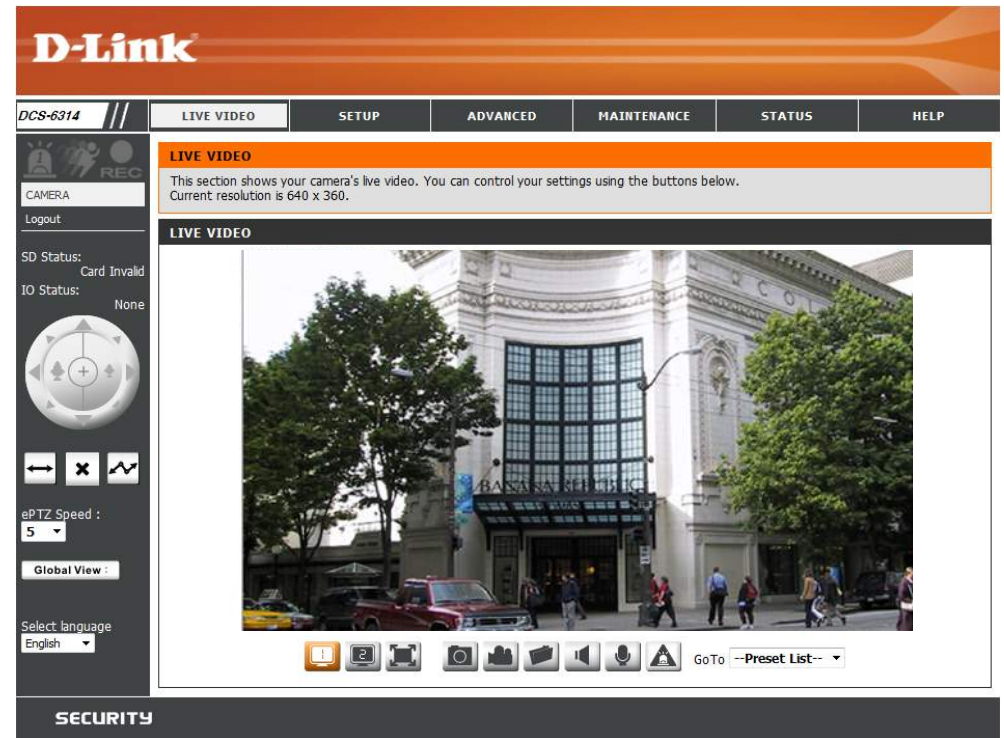
**Go To:** If any presets have been defined, selecting a **(Preset List)** preset from this list will display it.





## Available Icons

|   |                                  |  |
|---|----------------------------------|--|
|    | <b>Digital Input Indicator</b>   | This indicator will change color when a digital input signal is detected.  |
|    | <b>Motion Trigger Indicator</b>  | This indicator will change color when a trigger event occurs.<br><i>Note: The video motion feature must be enabled.</i>                      |
|    | <b>Recording Indicator</b>       | This indicator will change color when a recording is in progress.  |
|    | <b>Control Pad</b>               | This control pad can be used to electronically pan, tilt, and zoom (ePTZ) within the camera's predefined view area, if one has been defined. |
|    | <b>Auto Pan</b>                  | Starts the automatic panning function. The ROI will pan back and forth within the FOV.   |
|    | <b>Stop</b>                      | Stops the camera ePTZ motion.  |
|    | <b>Preset Path</b>               | Starts the camera's motion along the pre-defined path.   |
|    | <b>Video Profile 1</b>           | Select's predefined settings configured on <a href="#">page 46</a> .   |
|    | <b>Video Profile 2</b>           | Select's alternate predefined settings configured on <a href="#">page 46</a> .   |
|    | <b>Full Screen Mode</b>          | Will enlarge the video stream to use full screen.  |
|    | <b>Take a Snapshot</b>           | Will record the current image.   |
|    | <b>Record Video Clip</b>         | Will record a video clip, using pre-defined settings.  |
|   | <b>Set up Storage</b>            | Will allow you to select a folder on your computer to save to.   |
|  | <b>Listen/Stop Listening</b>     | Enables or disables the ability to listen using the built-in speakers.   |
|  | <b>Talk/Stop Talking</b>         | Enables or disables the ability to record audio using the built-in microphone.   |
|  | <b>Start/Stop Digital Output</b> | Enables or disables the ability to use the built in digital in/out port.   |



The screenshot displays the D-Link DCS-6314 web interface. At the top, the D-Link logo is visible. Below it, a navigation bar contains tabs for LIVE VIDEO, SETUP, ADVANCED, MAINTENANCE, STATUS, and HELP. The LIVE VIDEO tab is selected, and the page title is "DCS-6314 // LIVE VIDEO".

The main content area is titled "LIVE VIDEO" and contains the following text: "This section shows your camera's live video. You can control your settings using the buttons below. Current resolution is 640 x 360." Below this text is a large live video stream showing a street scene with a building and trees.

On the left side of the interface, there is a control panel with the following elements:

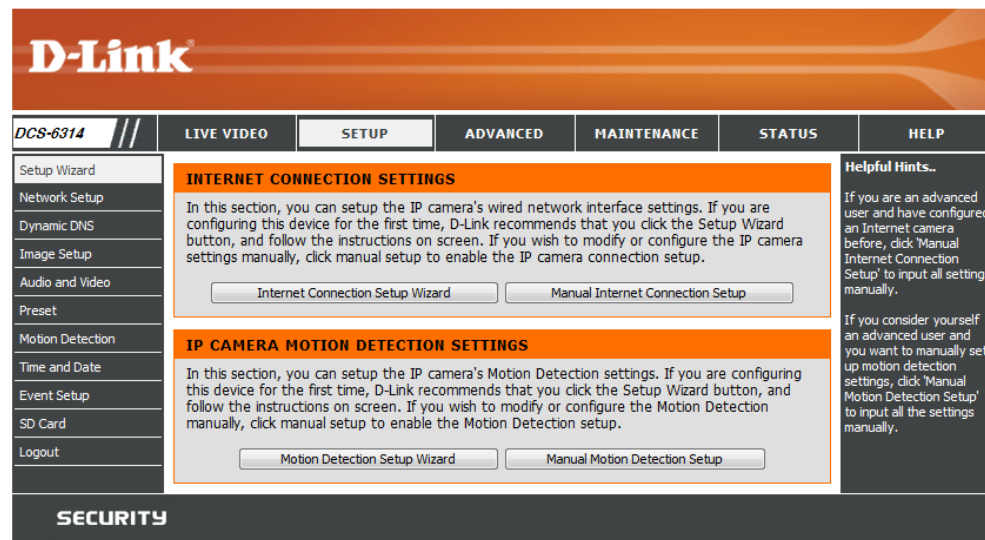
- Buttons for CAMERA, Logout, SD Status (Card Invalid), and IO Status (None).
- A large circular control pad with directional arrows and a central button.
- Buttons for Auto Pan, Stop, and Preset Path.
- A dropdown menu for ePTZ Speed (set to 5).
- A button for Global View.
- A dropdown menu for Select language (set to English).

At the bottom of the interface, there is a "SECURITY" label and a "GoTo --Preset List--" dropdown menu.

# Setup Setup Wizard

To configure your Network Camera, click **Internet Connection Setup Wizard**. Alternatively, you may click **Manual Internet Connection Setup** to manually configure your Network Camera and skip to "[Network Setup](#)" on page 40.

To configure your Network Camera's motion detection settings, click **Motion Detection Setup Wizard**. If you want to enter your settings manually, click **Manual Motion Detection Setup** and skip to "[Motion Detection](#)" on page 50.



## Internet Connection Setup Wizard

This *Internet Connection Setup Wizard* will guide you through a step-by-step process to configure your new D-Link Camera and connect the camera to the internet.

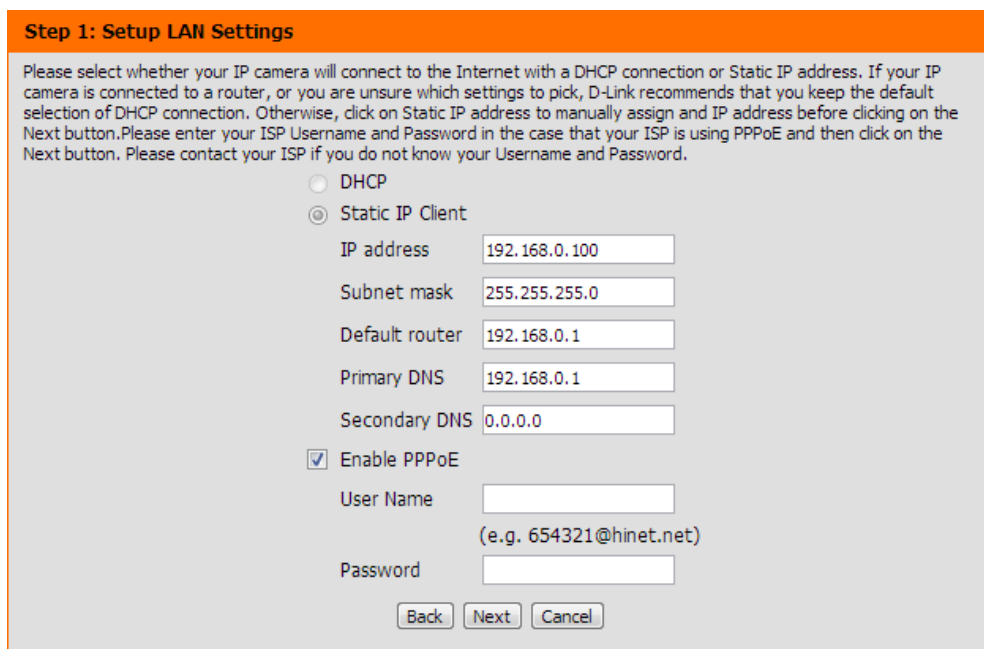
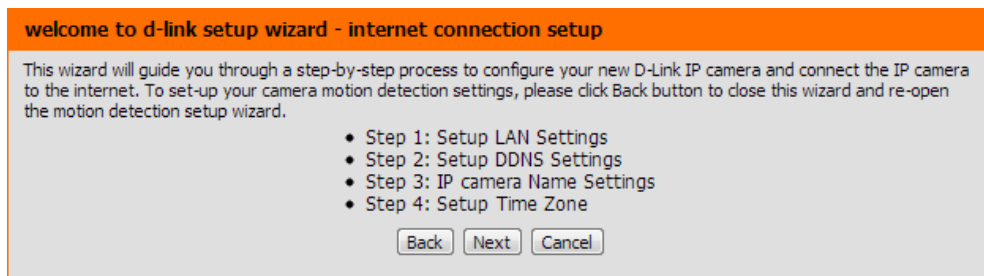
Click **Next** to continue.

Select **DHCP** if your ISP (Internet Service Provider) has not provided you with connection settings, or if you are not sure about your settings.

Select **Static IP** if you want to manually enter your connection settings, or if you wish to set a static address within your home network. Enter the settings into the required fields.

If you are using PPPoE, check the box by **Enable PPPoE** and enter your **User Name** and **Password**.

Click **Next** to continue.



## Section 3: Configuration

If you have a Dynamic DNS account and would like the camera to update your IP address automatically, select **Enable DDNS** and enter your host information. Click **Next** to continue.

**Step 2: Setup DDNS Settings**

If you have a Dynamic DNS account and would like the IP camera to update your IP address automatically, enable DDNS and enter in your host information below. Please click on the Next button to continue.

Enable DDNS

Server Address  <<  ▼

Host Name

User Name

Password

Verify Password

Timeout  (hours)

Enter an **IP Camera Name** and click **Next** to continue.

**Step 3: IP camera Name Settings**

D-Link recommends that you rename your IP camera for easy accessibility. You can then identify and connect to your IP camera via this name. Please assign a name of your choice before clicking on the Next button.

IP camera Name

## Section 3: Configuration

Select the correct **Time Zone** to ensure that all events will be triggered as scheduled. Click **Next** to continue.

**Step 4: Setup Time Zone**

Please configure the correct time to ensure that all events are triggered, captured and scheduled at the correct time and day and then click on the Next button.

Time Zone

Enable Daylight Saving

Confirm the IP camera settings are correct and click **Apply** to save them. The settings will be saved to the DCS-6314 and the camera will restart.

**Step 5: Setup complete**

Below is a summary of your IP camera settings. Click on the Back button to review or modify settings or click on the Apply button if all settings are correct. It is recommended to note down these settings in order to access your IP camera on the network or via your web browser.

|                |                    |
|----------------|--------------------|
| IP Address     | DHCP               |
| IP camera Name | DCS-6314           |
| Time Zone      | (UTC+08:00) Taipei |
| DDNS           | Disable            |
| PPPoE          | Disable            |

## Motion Detection Setup Wizard

This *Motion Detection Wizard* will guide you through a step-by-step process to configure your camera's motion detection functions.

Click **Next** to continue.

### Step 1

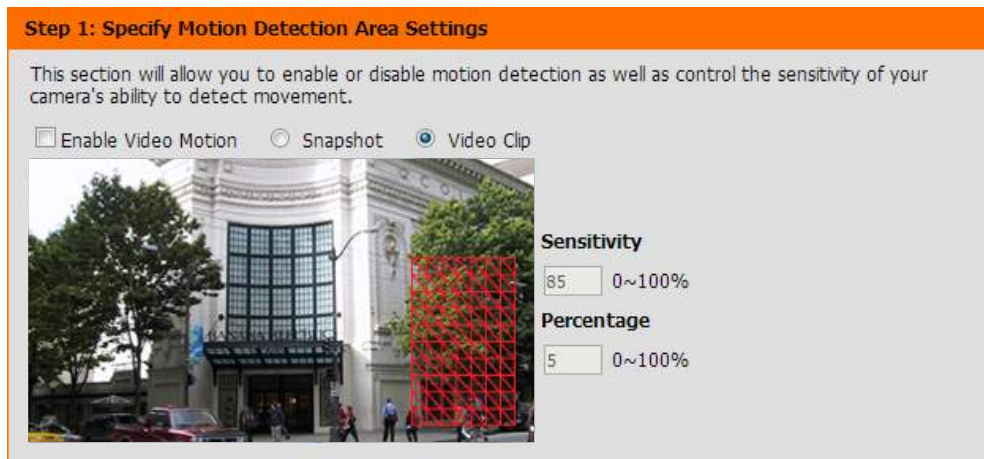
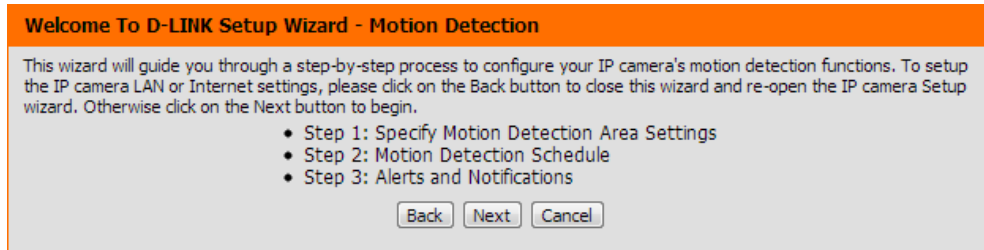
This step will allow you to enable or disable motion detection, and adjust the sensitivity of your camera's ability to detect movement.

Click on the radio button to specify whether the camera should capture a **Snapshot** or a **Video Clip** when motion is detected.

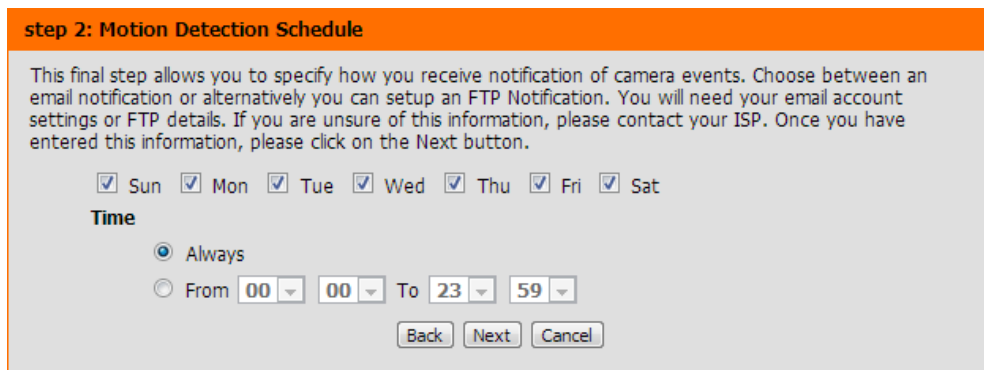
Refer to "[Motion Detection](#)" on page 50 for details about how to configure motion detection.

### Step 2

This step allows you to enable motion detection based on a customized schedule. Click on **Always** to make sure your camera always records whenever motion is detected. Otherwise, click on **From**, and select the motion detection time schedule from the drop-down list. Also indicate the day(s) you want motion detection enabled by checking the corresponding boxes.



This UI element should be inside like the other steps



## Section 3: Configuration

### Step 3

This step allows you to specify how you would like to receive notifications of events captured by your camera.

Click on **Do not notify me** if you choose not to receive notifications. To receive notifications via **Email** or **FTP**, click on the corresponding radio button. Then enter the required information for your e-mail or FTP account.

Click **Next** to continue.

**Step 3: Alerts and Notification**

This final step allows you to specify how you receive notification of camera events. Choose between an email notification or alternatively you can setup an FTP Notification. You will need your email account settings or FTP details. If you are unsure of this information, please contact your ISP. Once you have entered this information, please click on the Next button.

Do not notify me

Email

Sender email address

Recipient email address

Server address

User name

Password

Port

FTP

Server address

Port

User name

Password

Remote folder name

### Step 4

You have completed the *Motion Detection Wizard*. Verify your settings and click **Apply** to save them.

**Step 4: Setup Complete**

You have completed your IP camera setup. Please click the Back button if you want to review or modify your settings or click on the Apply button to save and apply your settings.

Motion Detection : Enable

EVENT : Video Clip

Schedule Day : Sun ,Mon ,Tue ,Wed ,Thu ,Fri ,Sat ,

Schedule Time : Always

Alerts and Notification : Do not notify me

Wait a few moments for the camera to save your settings and restart.

## Network Setup

Use this section to configure the network connections for your camera. All relevant information must be entered accurately.

**LAN Settings:** This section lets you configure settings for your local area network.

**DHCP:** Select this connection if you have a DHCP server running on your network and would like your camera to obtain an IP address automatically.

**Static IP Client:** You may obtain a static or fixed IP address and other network information from your network administrator for your camera.

**IP Address:** Enter the fixed **IP address** in this field.

**Subnet Mask:** This number is used to determine if the destination is in the same subnet. The default value is 255.255.255.0.

**Default Router:** The router (gateway) used to forward frames to destinations in a different subnet. Invalid gateway settings may cause the failure of transmissions to a different subnet.

**Primary DNS:** The primary domain name server (DNS) translates names to IP addresses.

**Secondary DNS:** The secondary DNS acts as a backup to the primary.

**Enable UPnP Presentation:** Enabling this setting allows your camera to be configured as a UPnP device on your network.

**Enable UPnP Port Forwarding:** Enabling this setting allows the camera to add port forwarding entries into the router automatically on a UPnP capable network.

**D-Link**

DCS-6314 // LIVE VIDEO SETUP ADVANCED MAINTENANCE STATUS HELP

Setup Wizard  
Network Setup  
Dynamic DNS  
Image Setup  
Audio and Video  
Preset  
Motion Detection  
Time and Date  
Event Setup  
SD Card  
Logout

**NETWORK SETUP**  
You can configure your LAN and Internet settings here.  
Save Settings Don't Save Settings

**LAN SETTINGS**

DHCP  
 Static IP Client

IP address: 192.168.1.101  
Subnet mask: 255.255.255.0  
Default router: 192.168.1.1  
Primary DNS: 192.168.1.1  
Secondary DNS: 0.0.0.0

Enable UPnP presentation  
 Enable UPnP port forwarding

Forwarding Port: 1024 Test  
Forwarding Status: UPnP forwarding is inactive

**PPPOE SETTINGS**

Enable  Disable

User Name:   
Password:   
Confirm password:   
PPPoE Status: PPPoE is inactive.

**HTTP**

HTTP port: 80  
Access name for stream1: video1.mjpg  
Access name for stream2: video2.mjpg

**Helpful Hints..**  
Select DHCP Connection If you are running a DHCP server on your network and would like an IP address assigned to your IP camera automatically.  
**UPnP:** Enabling UPnP settings will allow you to configure your IP camera as an UPnP device in the network.  
**PPPoE Setting:** If you use the IP camera to connect directly to the Internet, you will need to enter the username and password, which were given to you when you set up your account with your Internet Service Provider. If the camera is behind a router or a gateway, you do not need to configure this setting.  
**HTTP:** HTTP Port is the port you allocate in order to connect to the IP camera via a standard web browser.  
**HTTPS:** HTTPS Port in a IP camera connects it with a PC via a secure web browser.  
**RTSP:** RTSP Port is the port you allocate in order to connect to a IP camera by using streaming mobile device(s), such as a mobile phone or PDA.  
**CoS (Class of Service):** Coarsely-grained traffic control based on the L2



**Enable PPPoE:** Click **Enable** if your network uses PPPoE.

**User Name / Password:** Enter the **User Name** and **Password** for your PPPoE account. Re-enter your password in the **Confirm Password** field. You must obtain this information from your ISP.

**HTTP Port:** The default **HTTP port** number is 80.

**Access Name for Streams 1-2:** The default name is video#.mjpg, where # is the number of the stream.

**HTTPS Port:** You may use a PC with a secure browser to connect to the **HTTPS port** of the camera. The default port number is 443.

**Authentication:** Choose to **Enable** or **Disable** the RTSP digest encryption. Digest encryption uses MD5 hashes.

**RTSP Port:** The port number that you use for RTSP streaming to mobile devices, such as mobile phones or PDAs. The default port number is 554. You may specify the address of a particular stream. For instance, live1.sdp can be accessed at rtsp://x.x.x.x/video1.sdp where the x.x.x.x represents the ip address of your camera.

**Enable CoS:** Enabling the Class of Service setting implements a best-effort policy of traffic control without making any bandwidth reservations. Select a number to specify traffic priority.

**Enable QoS:** Enabling the QoS setting establishes a reservation control mechanism for establishing traffic priority. This will ensure a consistent Quality of Service during busy periods. If the Network Camera is connected to a router that itself implements QoS, the router's settings will override the QoS settings of the camera.

The screenshot displays the configuration web interface for a network camera, organized into several sections:

- PPPOE SETTINGS:** Includes radio buttons for 'Enable' and 'Disable' (selected). Fields for 'User Name', 'Password', and 'Confirm password'. 'PPPoE Status' is 'PPPoE is inactive'.
- HTTP:** 'HTTP port' is 80. 'Access name for stream1' is video1.mjpg. 'Access name for stream2' is video2.mjpg.
- HTTPS:** 'HTTPS port' is 443.
- RTSP:** 'Authentication' is 'Disable'. 'RTSP port' is 554. 'Access name for stream1' is live1.sdp. 'Access name for stream2' is live2.sdp.
- COS SETTINGS:** 'Enable CoS' is checked. 'VLAN ID' is 1 (range [0-4095]). 'Live video', 'Live audio', 'Event/Alarm', and 'Management' are all set to 0.
- QOS SETTINGS:** 'Enable QoS' is checked. 'Live video', 'Live audio', 'Event/Alarm', and 'Management' are all set to 0.
- IPv6:** 'Enable IPv6' is checked. An 'IPv6 Information' button is visible. Below it, 'Manually setup the IP address' is unchecked. Fields for 'Optional IP address / Prefix length' (with a /64 suffix), 'Optional default router', and 'Optional primary DNS' are present.

**Helpful Information on the Right:**

- HTTP:** HTTP Port is the port you allocate in order to connect to the IP camera via a standard web browser.
- HTTPS:** HTTPS Port is a port you allocate in order to connect to a IP camera with a PC via a secure web browser.
- RTSP:** RTSP Port is the port you allocate in order to connect to a IP camera by using streaming mobile device(s), such as a mobile phone or PDA.
- CoS (Class of Service):** Coarsely-grained traffic control based on the L2 protocol. Class of Service technologies do not guarantee a level of service in terms of bandwidth and delivery time, they offer a "best-effort".
- QoS (Quality of Service):** Finely-grained traffic control, a resource reservation control mechanism. Quality of service guarantees are important if the network capacity is insufficient, especially for real-time streaming multimedia applications.
- Enable IPv6:** Select this option and click Save to enable IPv6 setting. Please note that this only works if your network environment and hardware equipment support IPv6. The browser should be Microsoft @ Internet Explorer 6.5, Mozilla Firefox 3.0 or above. When IPv6 is enabled, by default, the Network Camera will listen to router advertisements and be assigned a link-local IPv6 address accordingly.
- IPv6 Information:** Click this button to obtain the IPv6 information. If your IPv6 setting are successful, the IPv6 address list will be listed in the pop-up window. Please follow the steps below to link to an IPv6 address:
  - 1) Open your web browser.
  - 2) Enter the link-global or link-local IPv6 address in the address bar of your web browser.
  - 3) Press Enter on the keyboard or click Refresh button to refresh the webpage.

**Enable IPv6:** Enable the IPv6 setting to use the IPv6 protocol. Click on the box if you want to **Manually set up the IP address**. Then you can specify an **Optional IP address**, specify an **Optional default router** and an **Optional primary DNS**.

**Enable Multicast for stream:** The DCS-6314 allows you to multicast each of the available streams via **Multicast group address**, and specify the **TTL** (Time to Live) value for each stream. Check the box by **Enable Multicast**. You can enter the port and TTL settings if you do not want to use the defaults.

After making your selections, click on **Save Settings** to save your changes.

The screenshot displays the configuration interface for IPv6 and Multicast settings. The IPv6 section includes an 'Enable IPv6' checkbox and an 'IPv6 Information' button. Below this, there is an option to 'Manually setup the IP address' with input fields for 'Optional IP address / Prefix length' (set to /64), 'Optional default router', and 'Optional primary DNS'. The Multicast section has two sub-sections, 'Enable multicast for stream 1' and 'Enable multicast for stream 2'. Each sub-section contains input fields for 'Multicast group address', 'Multicast video port', 'Multicast RTCP video port', 'Multicast audio port', 'Multicast RTCP audio port', and 'Multicast TTL [1~255]'. The 'Save Settings' and 'Don't Save Settings' buttons are located at the bottom of the configuration area.

**IPv6**

Enable IPv6

[IPv6 Information](#)

Manually setup the IP address

Optional IP address / Prefix length:  /

Optional default router:

Optional primary DNS:

**MULTICAST**

Enable multicast for stream 1

Multicast group address:

Multicast video port:

Multicast RTCP video port:

Multicast audio port:

Multicast RTCP audio port:

Multicast TTL [1~255]:

Enable multicast for stream 2

Multicast group address:

Multicast video port:

Multicast RTCP video port:

Multicast audio port:

Multicast RTCP audio port:

Multicast TTL [1~255]:

**Manually setup the IP address:** Select this option to manually configure IPv6 setting if your network environment does not have DHCPv6 server and advertisements-enabled routers.

**Multicast:** Click the items to display the detailed configuration information. Select the Always multicast option to enable multicast for stream 1 ~ 3. Unicast video transmission delivers a stream through point-to-point transmission; multicast, on the other hand, sends a stream to the multicast group address and allows multiple clients to acquire the stream at the same time by requesting a copy from the multicast group address. Therefore, enabling multicast can effectively save network bandwidth.

## Dynamic DNS

DDNS (Dynamic Domain Name Server) will hold a DNS host name and synchronize the public IP address of the modem when it has been modified. A user name and password are required when using the DDNS service.

**Enable DDNS:** Check this box to enable the DDNS function.

**Server Address:** Enter the **Server Address** manually or select your Dynamic DNS provider from the drop-down menu.

**Host Name:** Enter the **Host Name** of the DDNS server.

**User Name:** Enter the **User Name** or e-mail used to connect to your DDNS account.

**Password:** Enter the **Password** used to connect to your DDNS server account and **Verify Password**.

**Timeout:** Enter the DNS timeout values you wish to use.

**Status:** Indicates the connection status, which is automatically determined by the system.

Click **Save Settings**.

The screenshot shows the D-Link DCS-6314 web interface. The top navigation bar includes 'LIVE VIDEO', 'SETUP', 'ADVANCED', 'MAINTENANCE', 'STATUS', and 'HELP'. The 'SETUP' menu is expanded, showing options like 'Setup Wizard', 'Network Setup', 'Dynamic DNS', 'Image Setup', 'Audio and Video', 'Preset', 'Motion Detection', 'Time and Date', 'Event Setup', 'SD Card', and 'Logout'. The 'Dynamic DNS' option is selected, displaying the 'DYNAMIC DNS' configuration page. This page features an orange header with the 'D-Link' logo and a 'DYNAMIC DNS' section containing explanatory text and a link to 'Sign up for D-Link's Free DDNS service at www.DLinkDDNS.com'. Below this is the 'DYNAMIC DNS SETTING' form, which includes a checkbox for 'Enable DDNS', a 'Server Address' field with a dropdown menu, and input fields for 'Host Name', 'User Name', 'Password', and 'Verify Password'. A 'Timeout' field is set to '24' hours, and the 'Status' is 'Inactive'. 'Save Settings' and 'Don't Save Settings' buttons are located at the bottom of the form. A 'SECURITY' section is visible at the very bottom of the page. On the right side, there is a 'Helpful Hints...' section with additional information about Dynamic DNS.

## Image Setup

In the *Image Setup* section, you may configure the video image settings for your camera. A preview of the image will be shown under *Live Video*.

**Enable Privacy Mask Setting:** Check the box to **Enable Privacy Mask Setting**. This allows you to specify up to three rectangular areas on the camera's image to be blocked or excluded from recordings and snapshots.

You can click and drag the mouse cursor over the video image to draw a mask area. Right-clicking on the image brings up the following options:

**Disable All:** Disables all mask areas

**Enable All:** Enables all mask areas

**Reset All:** Clears all mask areas.

**Mirror:** Select **On** to mirror the image horizontally.

**Flip:** Select **On** to flip the image vertically. If you enable *Flip*, you may want to consider enabling *Mirror* as well.

**Power Line:** Select the frequency used by your power lines to avoid interference or distortion.

**White Balance:** Use the drop-down menu to change **White Balance** settings to help balance colors for different environments. You can choose from **Auto**, **Outdoor**, **Indoor**, **Fluorescent**, and **Push Hold**.

**DCS-6314** // LIVE VIDEO **SETUP** ADVANCED MAINTENANCE STATUS HELP

Setup Wizard  
Network Setup  
Dynamic DNS  
Image Setup  
Audio and Video  
Preset  
Motion Detection  
Time and Date  
Event Setup  
SD Card  
Logout

**IMAGE SETUP**  
Changes to your IP camera settings are made immediately.

**LIVE VIDEO**  
 Enable Privacy Mask Setting

**IMAGE SETTINGS**

|               |  |
|---------------|--|
| Mirror        | <input type="radio"/> On <input checked="" type="radio"/> Off      |
| Flip          | <input type="radio"/> On <input checked="" type="radio"/> Off      |
| Power Line    | <input checked="" type="radio"/> 60 Hz <input type="radio"/> 50 Hz |
| White Balance | Auto   |
| Exposure Mode | Customize1 Max Gain 36 dB  |
| Shutter       | Min: 1/30 Max: 1/30  |
| Denoise       | 0  |
| Brightness    | 128  |
| Contrast      | 128  |
| Saturation    | 128  |
| Sharpness     | 128  |
| WDR Level     | WDR 5  |

Reset Default

**Helpful Hints...**

**Privacy Mask:** Click the attached box to activate this function. Now use your mouse to draw a rectangle covering the area you want hidden. Click the box again to deactivate the function.

**Mirror:** This function horizontally reverses your images 180 degrees.

**Flip:** This function vertically reverses your images 180 degrees.

**Power Line:** This setting is used to remove 50/60 Hz flicker.

**White Balance:** White Balance - Is the process of removing unrealistic color casts, so that objects which appear white in person are rendered white in your photo.

**Exposure Mode:** Exposure is the total amount of light allowed to fall on the image sensor during the process of capturing an image. You may choose different scene modes to produce the better images.

**Max Gain:** It can always be enabled automatically. But you have an option - you can change Max Gain either automatically or manually.

**Denoise:** It is the process of removing noise from a signal.

**Exposure Mode:** Use the drop-down menu to change the **Exposure Mode**. Set the camera for **Indoor**, **Outdoor**, or **Night** environments. Select **Moving** to capture moving objects. The **Low Noise** option will create a high-quality picture without noise. You can select **Customize** and create three different custom exposure modes. The **Max Gain** setting allows you to control the maximum amount of gain to apply in order to brighten the picture.

**Denoise:** This setting controls the amount of noise reduction that will be applied to the picture.

**Brightness:** Adjust this setting to compensate for backlit subjects.

**Contrast:** Adjust this setting to alter the color intensity.

**Saturation:** This setting controls the amount of coloration, from grayscale to fully saturated.

**Sharpness:** Specify a value from zero to 128 to specify how much sharpening to apply to the image.

**WDR Level:** Select **None** or specify a value from zero to 10 to specify how much WDR (Wide Dynamic Range) to apply to the image.

**Reset Default:** Click this button to reset the image to factory default settings.

## Audio and Video

You may configure up to three video profiles with different settings for your camera. This feature allows you to set up a profile for your computer that is different than the profile for your mobile display. In addition, you may also configure the two-way audio settings for your camera.

**Number of active profiles:** Select the number of profiles from the drop-down list. (Maximum is three.)

**Aspect ratio:** Set the aspect ratio of the video to **4:3** (standard) or **16:9** (widescreen).

**Mode:** Set the video codec to be used. Choose either **JPEG**, **MPEG-4**, or **H.264**.

**Frame size/ View window area:** **Frame size** is the total capture resolution, and **View window area** determines the *Live Video* viewing window size. If the **Frame size** is larger than the *Live Video* size, you can use the ePTZ controls to look around.

|      |  |
|------|--|
| 16:9 | 1920 x 1080, 1280 x 720, 800 x 450, 640 x 360, 480 x 270, 320 x 176, 176 x 144 up to 30 fps  |
| 4:3  | 1440 x 1080, 1280 x 960, 1024 x 768, 800 x 600, 640 x 480, 320 x 240, 176 x 144 up to 30 fps |

**Note:** If your View window area is the same as your Frame size, you will not be able to use the ePTZ function.

**Maximum frame rate:** The number selected represents frames per second. A higher frame rate provides smoother motion for videos, and requires more bandwidth. A lower frame rates will result in stuttering motion, and requires less bandwidth.

**D-Link**

DCS-6314 // LIVE VIDEO SETUP ADVANCED MAINTENANCE STATUS HELP

**AUDIO AND VIDEO**

This section allows you to configure the sound and video of your camera. You can configure different settings depending on whether you are viewing content from a PC or a Mobile Phone / PDA.

Save Settings Don't Save Settings

**VIDEO SETTINGS**

Number of active profiles: 2

Aspect ratio: 16:9 **Warning: Change the aspect ratio will clear the settings of privacy mask and preset and motion detection.**

Save Default

**VIDEO PROFILE 1**

Mode: H.264

Frame size: 640x360

View window area: 640x360

Maximum frame rate: 30

Video quality:

Constant bit rate: 2M

Fixed quality: Excellent

**Helpful Hints..**

Higher frame size, frame rate and bit rate gives better video quality. At the same time, it requires more network bandwidth.

For best viewing results on a mobile phone, we suggest setting the Frame Rate to 5fps and the Bit Rate to 64kbps.

**Number of active profiles:** Number of profiles that you wish to active. The maximum profiles are three.

**Aspect Ratio:** An aspect ratio is the ratio between the width and height of an image.

**Mode:** It can be H.264, JPEG, or MPEG4. In JPEG mode, the video frames are independent; MPEG4 consumes much less network bandwidth than JPEG, and H.264 can use less bandwidth but better image quality.

**Frame Size:** 7 options

**Video Quality:** This limits the **Maximum frame rate**, which can be combined with the **Fixed quality** option to optimize the bandwidth utilization and **Video quality**. If fixed bandwidth utilization is desired regardless of the video quality, choose **Constant bit rate** and select the desired bandwidth.

**Constant bit rate:** The bps (bits per second) is the bit rate of the video recorded by the camera. Higher bit rates result in better video quality.

**Fixed quality:** Select the image quality level for the camera to maintain. High quality levels will result in increased bit rates.

**Encoding:** Select audio codec from the drop-down menu.

**Audio in off:** Checking this box will mute incoming audio.

**Audio in gain level:** This setting controls the amount of gain applied to incoming audio to increase its volume.

**Audio out off:** Checking this box will mute outgoing audio.

**Audio out volume level:** This setting controls the amount of gain applied to outgoing audio to increase its volume.

Click **Save Settings**.

The screenshot displays a configuration interface for a camera, divided into several sections:

- Video Quality Section:**
  - Maximum frame rate: 25
  - Video quality: Radio buttons for Constant bit rate (selected) and Fixed quality. Under Constant bit rate, a dropdown menu shows 2M.
- VIDEO PROFILE 2 Section:**
  - Mode: JPEG
  - Frame size: 640x360
  - View window area: 640x360
  - Maximum frame rate: 25
  - Video quality: Excellent
- AUDIO SETTINGS Section:**
  - Encoding: 6.711
  - Audio in off:
  - Audio in gain level: 20dB
  - Audio out off:
  - Audio out volume level: 10

At the bottom of the settings area are two buttons: "Save Settings" and "Don't Save Settings".

**SECURITY**

**Text on the right side of the interface:**

- consumes much less network bandwidth than JPEG, and H.264 can use less bandwidth but better image quality.
- Frame Size:** 7 options exist for the sizes of the video display. It is recommended using 176x144 for mobile viewing and 1920x1080 for computer viewing.
- View window area:** The viewing region of the current video stream.
- Max frame rate:** The maximum number of frames that is displayed in 1 second. 30fps is the highest video quality for this camera. In general, any frame rate above 15 fps is imperceptible to the human eye.
- Video Quality:** This limits the maximal refresh frame rate, which can be combined with the "Fixed quality" to optimize the bandwidth utilization and video quality. If the User wants to fix the bandwidth utilization regardless of the video quality, choose "Constant bit rate" and select the desired bandwidth.
- Audio Settings:** You can use the option to switch the external microphone on/off or adjust the volume.

## Preset

This screen allows you to set *Preset* points for the ePTZ (Pan, Tilt, Zoom) function of the camera, which allows you to look around within the camera's viewable area. Presets allow you to quickly go to and view a specific part of the area your camera is covering, and you can create *Preset Sequences*, which will automatically change the camera's view between the different presets according to a defined order. You can set the speed as well.

**Note:** If your View window area is the same as your Frame size, you will not be able to use the ePTZ function.

**Video Profile:** Selects which **Video Profile** to use for presets.

**ePTZ Speed:** You may select a value between zero and 10. Zero is the slowest speed and 10 is the fastest.

**Arrow Buttons and Home Button:** Use these **Arrow** buttons to move to a specific part of the viewing area, which you can then set as a *Preset*. Clicking the **Home** button returns you to the center of the viewing area.

**Input Preset Name:** Enter the name of the *Preset* you want to create, then click the **Add** button to make a new *Preset*. If an existing preset has been selected from the *Preset List*, you can change its name by typing in a new name, then clicking the **Rename** button.

**Preset List:** Click the drop-down menu to see a list of all the *Presets* that have been created. You can select one, then click the **GoTo** button to change the camera view to the *Preset* view. Clicking the **Remove** button will delete the currently selected *Preset*.

**Preset Sequence:** This section allows you to create a *Preset Sequence*, which automatically moves the camera's view between a set of preset views.

The screenshot displays the D-Link DCS-6314 camera web interface. The top navigation bar includes tabs for LIVE VIDEO, SETUP, ADVANCED, MAINTENANCE, STATUS, and HELP. The left sidebar lists various setup options, with 'Preset' selected. The main content area is divided into three sections:

- PRESET CONTROL:** This section features a live video feed of a building. To the right of the video are controls for VIDEO PROFILE (set to 2) and ePTZ Speed (set to 5). Below these are directional arrow buttons (Up, Down, Left, Right) and a Home button.
- PRESET:** This section contains an 'Input Preset Name' field with 'Add' and 'Rename' buttons. Below it is a 'Preset List' dropdown menu set to '--Preset List--', with 'GoTo' and 'Remove' buttons. A note indicates 'Support(0~9,A~Z,a~z,-,\*,\_)'.
- PRESET SEQUENCE:** This section shows a 'Preset Name' field with 'Dwell time' selected, a 'Preset List' dropdown, and 'Add' and 'Update' buttons. The 'Dwell time' is set to 10 seconds, with a note 'Second(s)[3~30]'. There are also up, down, and delete (trash) buttons.

On the right side of the interface, there is a 'Helpful Hints...' section with the following text:

- Input Preset Name:** Using the Pan, Tilt and Zoom (PTZ) controls, move the camera view to the required position and simply by selecting the preset's name.
- Add:** This camera position is then saved as a preset position in the camera.
- GoTo:** for test the preset the preset position.
- Preset Sequence:** A preset sequence is an automated series of camera movements from one preset position to another. A guard tour can be set up to display the video streams from different preset positions in a pre-determined order, and for configurable time periods.
- Add:** set up a new preset sequence, Modify to change, and Remove to remove an existing preset sequence.

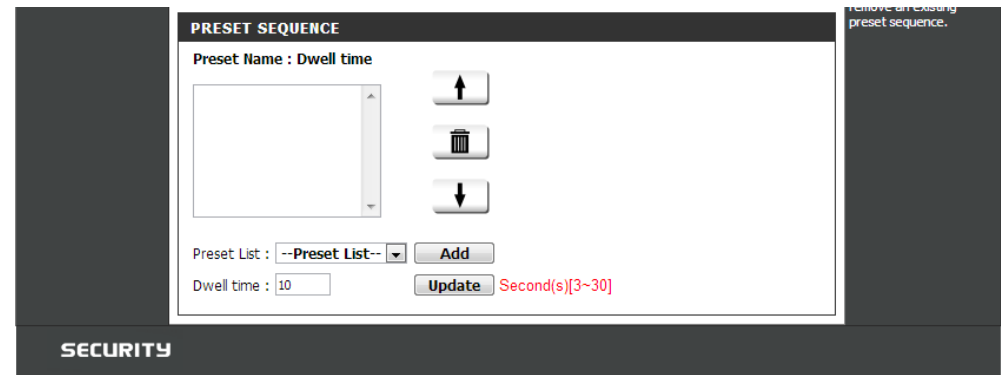


**Preset Sequence:** To add a preset to the sequence, select it from the **Preset List** drop-down menu at the bottom of this window, set the **Dwell time** to determine how long the camera view will stay at that preset, then click the **Add** button. The *Preset Name* will appear in the list, followed by the **Dwell Time** for viewing that preset.

You can rearrange your *Presets* in the sequence by selecting a *Preset*, then clicking the **Arrow** buttons to move it higher or lower in the current sequence.

**Delete:** Clicking the **Trash** can icon removes the currently selected *Preset* from the sequence.

**Update:** If you want to change the **Dwell time** for a *Preset*, select it from the list, enter a new dwell time, then click the **Update** button.



## Motion Detection

**Enable Video Motion** to allow your camera to implement the *Motion Detection* feature. You may specify a specific area that will be used for monitoring.

**Enable Video Motion:** Check this box to enable the motion detection feature of your camera.

**Sensitivity:** Specifies the measurable difference between two sequential images that indicates motion. Enter a value between zero and 100.

**Percentage:** Specifies the amount of motion in the window being monitored that is required to initiate an alert. When set to 100%, any motion detected within the entire window triggers a snapshot.

**Draw Motion Area:** Draw the motion detection area by dragging your mouse in the window (indicated by the red square).

**Erase Motion Area:** To erase a motion detection area, simply click on the red square that you wish to remove.

Right clicking on the camera image brings up the following menu options:

- **Select All:** Draws a motion detection area over the entire screen.
- **Clear All:** Clears any motion detection areas that have been drawn.
- **Restore:** Restores the previously specified motion detection areas.

Click **Save Settings**.

**D-Link**

DCS-6314 // LIVE VIDEO SETUP ADVANCED MAINTENANCE STATUS HELP

**MOTION DETECTION**

In order to use motion detection, you must first check the checkboxes, then draw the areas you want to monitor for motion.

Save Settings Don't Save Settings

**LIVE VIDEO**

Enable Video Motion

Sensitivity: 85 0~100%

Percentage: 5 0~100%

Save Settings Don't Save Settings

**Helpful Hints..**

**Enable Video Motion:** Select this option to enable motion detection for your camera.

**Sensitivity:** Sets the sensitivity for motion detection. The text field indicate the level of sensitivity for motion detection. As motion is detected the level will rise depending on the frequency of the movement.

**Percentage:** Adjusting the percentage allows you to set a requirement on how much of the motion window must be filled by movement. Example: If you set this to 50%, then the selected window must be half filled by a moving object before it triggers motion detection.

**D-Link**

DCS-6314 // LIVE VIDEO SETUP ADVANCED MAINTENANCE STATUS HELP

**MOTION DETECTION**

In order to use motion detection, you must first check the checkboxes, then draw the areas you want to monitor for motion.

Save Settings Don't Save Settings

**LIVE VIDEO**

Enable Video Motion

Sensitivity: 85 0~100%

Percentage: 5 0~100%

Select all  
Clear all  
Restore

Save Settings Don't Save Settings

**Helpful Hints..**

**Enable Video Motion:** Select this option to enable motion detection for your camera.

**Sensitivity:** Sets the sensitivity for motion detection. The text field indicate the level of sensitivity for motion detection. As motion is detected the level will rise depending on the frequency of the movement.

**Percentage:** Adjusting the percentage allows you to set a requirement on how much of the motion window must be filled by movement. Example: If you set this to 50%, then the selected window must be half filled by a moving object before it triggers motion detection.

**SECURITY**

## Time and Date

The *Time and Date* section allows you to automatically or manually configure, update, and maintain the internal system clock for your camera.

**Time Zone:** Select your **Time Zone** from the drop-down menu.

**Enable Daylight Saving:** Check this box to **Enable Daylight Saving** Time.

**Auto Daylight Saving:** Select this option to allow your camera to configure the Daylight Saving settings automatically.

**Set Date and Time Manually:** Select this option to set the Daylight Saving date and time manually.

**Offset:** Sets the amount of time to be added or removed when Daylight Saving is enabled.

**Synchronize with NTP Server:** Check this box to obtain time automatically from an NTP (Network Time Protocol) server.

**NTP Server:** Select an NTP Server from the drop-down menu.

**Set the Date and Time Manually:** Check the box to set the *Time and Date* manually. Enter *Year, Month, Day, Hour, Minute, and Second*.

**Copy Your Computer's Time Settings:** This will synchronize the *Date and Time* information from your PC.

Click **Save Settings**.

Product: DCS-6314 Firmware Version : 0.02

**D-Link**

DCS-6314 // LIVE VIDEO SETUP ADVANCED MAINTENANCE STATUS HELP

Setup Wizard  
Network Setup  
Dynamic DNS  
Image Setup  
Audio and Video  
Preset  
Motion Detection  
Time and Date  
Event Setup  
SD Card  
Logout

**TIME AND DATE**  
You can set the current time for the IP camera.  
Save Settings Don't Save Settings

**TIME CONFIGURATION**  
Time Zone (UTC+08:00) Taipei  
 Enable Daylight Saving  
 Auto Daylight Saving  
 Set date and time manually  
Offset +2:00  
Start time Month Week Day of week Hour Minutes  
5 1 Sunday 00 00  
End time Month Week Day of week Hour Minutes  
10 1 Sunday 00 00

**AUTOMATIC TIME CONFIGURATION**  
 Synchronize with NTP Server  
NTP Server ntp.dlink.com.tw << Select NTP Server

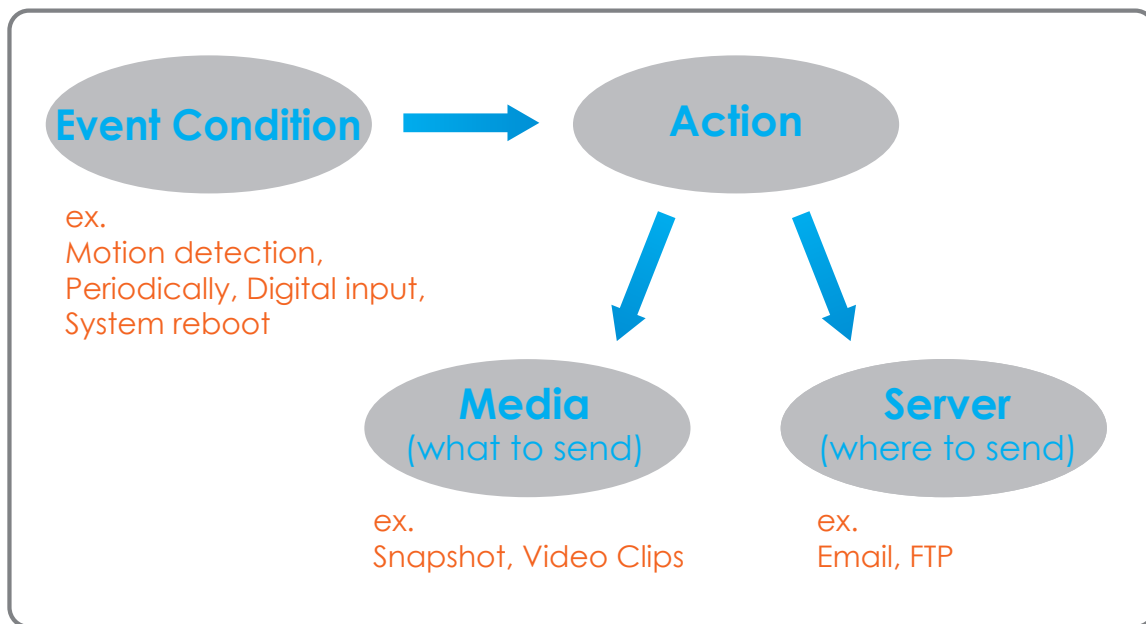
**SET DATE AND TIME MANUALLY**  
 Set date and time manually  
Year 2013 Month 1 Day 21  
Hour 3 Minute 45 Second 22  
Copy Your Computer's Time Settings  
Save Settings Don't Save Settings

**Helpful Hints..**  
Good timekeeping is important for accurate logs and scheduled firewall rules.  
**Time Zone:** Select your time zone from the drop-down menu.  
**Enable Daylight Saving:** Select this to enable the daylight saving time.  
**Auto Daylight Saving:** When you select it, the clock is automatically adjusted according to the daylight saving time of the selected time zone.  
**Offset:** Select the time offset, if your location observes daylight saving time.  
**Synchronize with NTP Server:** With the option selected, the camera will synchronize the time settings with the NTP server over the Internet whenever the camera starts up. If the timeserver cannot be reached, no time settings will be applied.  
**NTP Server:** Network Time Protocol (NTP) synchronizes the IP camera with an Internet time server. Choose the one that is closest to your location.  
**Copy Your Computer's Time Settings:** This will synchronize the time information from your PC.

**SECURITY**

## Event Setup

Typically, when motion is detected, the DCS-6314 sends images to a FTP server or sends an e-mail notification. As shown in the illustration below, an event can be triggered by various conditions, such as motion detection or system reboot. When an event is triggered, a specified action will be performed. You can configure your network camera to send snapshots or videos to your e-mail address or FTP site.



Instructions for setting an *Event* begin on the next page. Proper setup enables the Network Camera to know what to do when a trigger is activated.

## Section 3: Configuration

To setup an *Event*, it is suggested you start with *Server* and *Media* sections first. Once an *Event* is associated with the *Server* and *Media*, they can not be modified. In order to change *Server* and *Media* selections, the *Event* must be removed. There can only be a maximum of three *Events* at any time.

The Event Setup page includes four different sections.

- Server
- Media
- Event
- Recording

1. To add a new item, select a **Server**, **Media**, and **Event**. Click **Add**. A screen will appear and allow you to select the fields accordingly.
2. To remove a selected item from the drop-down menu, click **Delete**.
3. Click on the item from the drop-down menu to open a window for modifying the item.

The pages that follow explain how to *Add a Server*, *Add Media*, and *Add an Event*.

**D-Link**

DCS-6314 // LIVE VIDEO SETUP ADVANCED MAINTENANCE STATUS HELP

Setup Wizard  
Network Setup  
Dynamic DNS  
Image Setup  
Audio and Video  
Preset  
Motion Detection  
Time and Date  
Event Setup  
SD Card  
Logout

### EVENT SETUP

There are four sections in Event Setup page. They are event, server, media and recording. Click Add to pop a window to add a new item of event, server, media or recording. Click Delete to delete the selected item from event, server, media or recording. Click on the item name to pop a window to edit it. There can be at most 3 events and 2 recording. There can be at most 5 server and 5 media configurations.

#### SERVER

| Name | Type | Address/Location |
|------|------|------------------|
| Add  | ▼    | Delete           |

#### MEDIA

| Name | Type | Source |
|------|------|--------|
| Add  | ▼    | Delete |

#### EVENT

| Name | Status | Sun | Mon | Tue | Wed | Thu | Fri | Sat | Time | Trigger |
|------|--------|-----|-----|-----|-----|-----|-----|-----|------|---------|
| Add  | ▼      |     |     |     |     |     |     |     |      |         |

#### RECORDING

| Name | Status | Sun | Mon | Tue | Wed | Thu | Fri | Sat | Time | Source | Destination |
|------|--------|-----|-----|-----|-----|-----|-----|-----|------|--------|-------------|
| Add  | ▼      |     |     |     |     |     |     |     |      |        |             |

**Helpful Hints..**  
Suggest setting server and media first before setting event. The servers and media which selected in event list are not be able to modify or delete. Please remove them first from the event if you want to delete or modify them. Recommend using different media in different event to make use all media be produced and received correctly. If using the same media in different events and the events trigger almost simultaneously, the servers in the second triggered event will not receive any media; there would be only notifications.

**SECURITY**

## Add Server

You can configure up to five servers for saving snapshots and/or video to.

**Server Name:** Enter the unique name for your server.

**Email:** Enter the configuration for the target e-mail server account.

**FTP:** Enter the configuration for the target FTP server account.

**Network Storage:** Specify a **Network Storage Location**. Only one network storage device is supported.

**SD Card:** Select this option to use the camera's onboard SD card storage.

Click **Save Settings**.

**D-Link**

DCS-6314 // LIVE VIDEO SETUP ADVANCED MAINTENANCE STATUS HELP

Setup Wizard  
Network Setup  
Dynamic DNS  
Image Setup  
Audio and Video  
Preset  
Motion Detection  
Time and Date  
Event Setup  
SD Card  
Logout

**SERVER**

You can set at most 5 different servers here for different event.

Test Save Settings Don't Save Settings

**SERVER TYPE**

Server Name:

Email

Sender email address

Recipient email address

Server address

User name

Password

Port

This server requires a secure connection (StartTLS)

FTP

Server address

Port

User name

Password

Remote folder name

Passive mode

Network storage

Network storage location   
(for example: \\my\_nas\disk\folder)

Workgroup

User name

Password

Primary WINS server

SD Card

Test Save Settings Don't Save Settings

**Helpful Hints..**

"Server name" The unique name for server. There are four kinds of servers supported. They are email server, FTP server, HTTP server and network storage.

**Email server:**  
"Sender email address" The email address of the sender.  
"Recipient email address" The email address of the recipient.

**FTP server:**  
"Remote folder name" Granted folder on the external FTP server. The string must conform to that of the external FTP server. Some FTP servers cannot accept preceding slash symbol before the path without virtual path mapping. Refer to the instructions for the external FTP server for details. The folder privilege must be open for upload.  
"Passive Mode" Check it to enable passive mode in transmission.

**Network storage:** Only one network storage is supported.  
"Network storage location" The path to upload the media.  
"Workgroup" The workgroup for network storage.

**SD card:** Use the SD card for recording media.

**SECURITY**

## Add Media

You can set up three types of *Media* to be sent when an *Event* is triggered, **Snapshot**, **Video Clip**, and **System Log**.

**Media Name:** Enter a unique name for *Media Type* you want to specify.

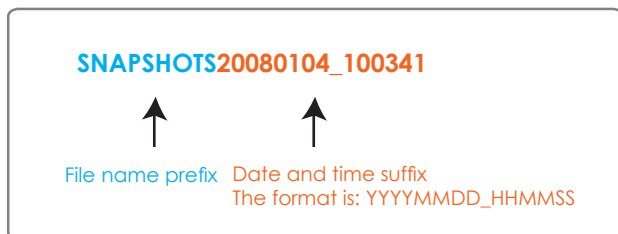
**Snapshot:** Select this option to set the *Media Type* to **Snapshot**.

**Source:** Set the video profile to use as the media source. Refer to "[Audio and Video](#)" on page 46 for more information on video profiles.

**Send pre-event image(s)** [0~4]: Set the number of pre-event images to take. Pre-event images are images taken before the main event snapshot is taken.

**Send post-event image(s)** [0~7]: Set the number of post-event images to take. Post-event images are images taken after the main event snapshot is taken. You can set up to 7 post-event images to be taken.

**File name Prefix:** The prefix name will be added on the file name.



Product: DCS-6314      Firmware Version : 0.02

**D-Link**

DCS-6314 // LIVE VIDEO    **SETUP**    ADVANCED    MAINTENANCE    STATUS    HELP

Setup Wizard  
Network Setup  
Dynamic DNS  
Image Setup  
Audio and Video  
Preset  
Motion Detection  
Time and Date  
Event Setup  
SD Card  
Logout

**MEDIA**

You can set at most 5 different media here for different event.

Save Settings    Don't Save Settings

**MEDIA TYPE**

Media name:

Snapshot

Source: Profile1

Send 1  pre-event image(s) [0~4]

Send 1  post-event image(s) [0~7]

File Name Prefix:

Add date and time suffix to file name

Video Clip

Source: Profile1

Pre-event recording:  Second(s) [0~4]

Maximum duration:  Second(s) [1~100]

Maximum file size:  Kbytes [100~5000]

File Name Prefix:

System log

Save Settings    Don't Save Settings

**SECURITY**

**Helpful Hints..**

**"Media name"** The unique name for media. There are three kinds of media. They are snapshot, video clip and system log.

**Snapshot:**  
"Source" The source of profile, profile1 or profile2.  
"Send Pre-event images" The number of pre-event images.  
"Send Post-event images" The number of post-event images.  
"File name prefix" The prefix name will be added on the file name of the snapshot images.  
"Add date and time suffix to file name" Check it to add timing information as file name suffix.

**Video clip:**  
"Source" The source of profile, profile1 or profile2.  
"Pre-event recording" The interval of pre-event recording in seconds There are two limitations for video clip file.  
"Maximum duration" The maximal recording file duration in seconds.  
"Maximum file size" The maximal file size would be generated.

**Add date and time suffix to file name:** Check this box to add *Snapshot* date and time as file name suffix. Please see the previous page for an example on how the file name will be determined if this option is enabled.

**Video clip:** Select this option to set the *Media Type* to **Video Clip**.

**Source:** Set the video profile to use as the media source. Refer to "[Audio and Video](#)" on page 46 for more information on video profiles.

**Pre-event recording:** This sets how many seconds to record before the main event video clip starts. You can record up to four seconds of pre-event video.

**Maximum duration:** Set the maximum length of time to record your video clips.

**Maximum file size:** Set the maximum file size for your video clips.

**File name Prefix:** The prefix name will be added on the file name.

**System log:** Select this option to set the *Media Type* to **System Log**. This saves the *Event* to the camera's system log. However, no snapshots or video will be recorded.

Click **Save Settings**.



## Add Event

You can create and schedule up to three *Events* with their own settings.

**Event name:** Enter a name for the *Event*.

**Enable this event:** Check this box to **Enable this Event**.

**Priority:** Set the priority for this *Event*. Those with higher priorities will be executed first.

**Delay:** Select the delay time before checking for the next *Event*. The delay time is used for both motion detection and digital input triggers.

**Video Motion Detection:** Motion is detected during live video monitoring. Select the *Events* that should be monitored.

**Periodic:** The *Event* is triggered in specific intervals. The trigger interval unit is in minutes.

**Digital Input:** The external trigger input to the camera.

**System Boot:** Triggers an *Event* when the system boots up.

**Network Lost:** Triggers an *Event* when a network connection is lost.

**Time:** Select **Always** or select the **Event Schedule**.

**Trigger D/O:** Check the box to trigger Digital Output for specified number of seconds.

Click the **Save Settings**.

Product: DCS-6314 Firmware Version : 0.02

D-Link

| DCS-6314   | LIVE VIDEO | SETUP | ADVANCED | MAINTENANCE | STATUS | HELP  |
|--|------------|-------|----------|-------------|--------|---|
| <ul style="list-style-type: none"> <li>Setup Wizard</li> <li>Network Setup</li> <li>Dynamic DNS</li> <li>Image Setup</li> <li>Audio and Video</li> <li>Preset</li> <li>Motion Detection</li> <li>Time and Date</li> <li>Event Setup</li> <li>SD Card</li> <li>Logout</li> </ul>  | EVENT      |       |          |             |        | <p><b>Helpful Hints..</b></p> <p><b>Priority:</b> The event with higher priority will be executed first.</p> <p>There are five kinds of trigger supported.</p> <p><b>Video motion detection:</b> Select the windows which need to be monitored.</p> <p><b>Periodic:</b> The event is triggered in specified intervals. The unit of trigger interval is minute.</p> <p><b>Digital input:</b> The event is triggered when the DI status changed by external device.</p> <p><b>System boot:</b> The event is triggered when the system boot up.</p> <p><b>Network lost:</b> The event is triggered when the network service is not available or disconnection.</p> <p><b>Sun ~ Sat:</b> Select the days of the week to perform the event.</p> <p><b>Time:</b> show "Always" or input the time interval.</p> <p>The default action are triggering DO and storing media on SD card. If there are servers configured, the user can select them from "Server name", too.</p> <p><b>Trigger DO:</b> Check it to trigger digital output for specific seconds when event is triggered.</p> <p>Note: Please Format SD card before use. The entire data in the SD card will be erased after formatting.</p> |
| <p>You can set at most 3 events like motion detection or digital input trigger here and arrange the detection schedule at the same time.</p> <p style="text-align: right;"> <input type="button" value="Save Settings"/> <input type="button" value="Don't Save Settings"/> </p>   |            |       |          |             |        |   |
| <p><b>EVENT</b></p> <p><b>Event name:</b> <input style="width: 100%;" type="text"/></p> <p><input type="checkbox"/> Enable this event</p> <p>Priority: <span style="border: 1px solid black; padding: 2px;">normal</span></p> <p>Delay for <input style="width: 50px;" type="text" value="10"/> seconds before detecting next event [For motion detection and digital input]</p>   |            |       |          |             |        |   |
| <p><b>TRIGGER</b></p> <p><input checked="" type="radio"/> Video motion detection</p> <p><input type="radio"/> Periodic<br/>Trigger every <input style="width: 50px;" type="text" value="1"/> minutes</p> <p><input type="radio"/> Digital input</p> <p><input type="radio"/> System boot</p> <p><input type="radio"/> Network lost</p>   |            |       |          |             |        |   |
| <p><b>EVENT SCHEDULE</b></p> <p><input checked="" type="checkbox"/> Sun <input checked="" type="checkbox"/> Mon <input checked="" type="checkbox"/> Tue <input checked="" type="checkbox"/> Wed <input checked="" type="checkbox"/> Thu <input checked="" type="checkbox"/> Fri <input checked="" type="checkbox"/> Sat</p> <p><b>Time</b></p> <p><input checked="" type="radio"/> Always</p> <p><input type="radio"/> From <input style="width: 50px;" type="text" value="00"/> <input style="width: 50px;" type="text" value="00"/> To <input style="width: 50px;" type="text" value="23"/> <input style="width: 50px;" type="text" value="59"/></p> |            |       |          |             |        |   |
| <p><b>ACTION</b></p> <p><input type="checkbox"/> Trigger D/O for <input style="width: 50px;" type="text" value="1"/> seconds</p> <p style="text-align: right;"> <input type="button" value="Save Settings"/> <input type="button" value="Don't Save Settings"/> </p>   |            |       |          |             |        |   |
| SECURITY   |            |       |          |             |        |   |

## Add Recording

You can configure and schedule Video recording.

**Recording entry name:** The unique name of the **Recording entry**.

**Enable this recording:** Check the box to **Enable** the recording function.

**Priority:** Set the **Priority** for this entry. Those with a higher priority will be executed first.

**Source:** The **Profile** to use as the source of the stream.

**Time:** Click on **Always** or select the **Recording schedule**.

**Destination:** Select **None** or specify the folder where the recording file will be stored.

**Total cycling recording size:** Enter a storage size between 1MB and 2TB for video recordings. The new data will replace the oldest recordings when the total recording size exceeds this value. For example, if each recording file is 6MB, and the total cyclical recording size is 600MB, then the camera will record 100 files in the specified location (folder) and then will delete the oldest file and create new file for cyclical recording.

**Size of each file for recording:** If this is selected, file size will be based on the number of megabytes you specify.

**D-Link**

DCS-6314 // LIVE VIDEO SETUP ADVANCED MAINTENANCE STATUS HELP

**RECORDING**

You can setup schedule recording to network storage with your specify week day and time period.

Save Settings Don't Save Settings

**RECORDING**

Recording entry name:

Enable this recording

Priority: normal

Source: Profile 1

**RECORDING SCHEDULE**

Sun  Mon  Tue  Wed  Thu  Fri  Sat

**Time**

Always

From 00:00 To 23:59

**RECORDING SETTINGS**

Destination: None

Total cycling recording size: 1000 Mbytes [200~2000000]

Size of each file for recording: 10 Mbytes

Time of each file for recording: 10 seconds

File Name Prefix:

Save Settings Don't Save Settings

**SECURITY**

**Helpful Hints...**

**Recording:** Enable this option if you want to upload the recording to a shared folder on the network.

**Recording schedule:** Select the day(s) according to when you want the IP camera to make a video clip.

**Always:** This enables the IP camera to make video clips continuously.

**From:** The time range specified for the video clip.

**Total cycling recording size:** Please input the network path of your network storage, it will like "\\DNS\IPC\Record\". If the network storage need authentication, please enter your user name and password here.

Note: Please Format SD card before use. The entire data in the SD card will be erased after formatting.

**Time of each file for recording:** If this is selected, the length of the video clip will be based on the maximum length of time, in seconds, that you specify.

**File Name Prefix:** The prefix name will be added onto the file name of the recording file(s).

Click **Save Settings**.

**RECORDING SETTINGS**

Destination: None

Total cycling recording size: 1000 Mbytes [200~2000000]

Size of each file for recording: 10 Mbytes

Time of each file for recording: 10 seconds

File Name Prefix:

Save Settings Don't Save Settings

Note: Please Format SD card before use. The entire data in the SD card will be erased after formatting.

SECURITY

## SD Card

Here you may view and manage the recorded files which are stored on the SD card.

**Files per Page:** Select a number from the drop-down menu representing the number of files to view at once.

**Refresh:** Click the link to reload the file information from the SD card.

**Delete:** Check the box by the link(s) to the file(s) you would like to remove and click **OK**.

**View Recorded Picture:** If the picture files are stored on the SD card, click the link to the picture file you would like to view.

**Playback Recorded Video:** If video files are stored on the SD card, click on the link to the video file you would like to view.

**Format SD Card:** Click to automatically **Format** the SD card and create *Picture* and *Video* folders.

Product: DCS-6314 Firmware Version : 0.02

**D-Link**

DCS-6314 // LIVE VIDEO SETUP ADVANCED MAINTENANCE STATUS HELP

Setup Wizard  
Network Setup  
Dynamic DNS  
Image Setup  
Audio and Video  
Preset  
Motion Detection  
Time and Date  
Event Setup  
SD Card  
Logout

**SD CARD**

Here you could browse and manage the record files which stored in SD card.

**SD CARD**

SD Card: / SD Status : Ready

Files per Page: 10 Refresh 1 of 1

| <input type="checkbox"/> Delete | File  | Num of files | Size |
|---------------------------------|---|--------------|------|
| <input type="checkbox"/>        | <a href="#">dcm</a>                               | 0            |      |
| <input type="checkbox"/>        | <a href="#">Video</a>                             | 0            |      |
| <input type="checkbox"/>        | <a href="#">Picture</a>                           | 0            |      |
| <input type="checkbox"/>        | <a href="#">2011_06_22_HALF_at_Lights_out_Day</a> | 1            |      |
| <input type="checkbox"/>        | <a href="#">nikon001_dsc</a>                      |              | 1    |

Format SD Card Total:15981056KB, Used:7878368KB, Free:8102688KB

OK

**Helpful Hints..**

**Format SD Card:**  
Click this icon, system will automatically format SD card and create "picture" & "video" folders.

**View recorded picture:**  
If SD stored recorded picture files, enter picture link and choose which picture file you desire to view. You will view picture via image viewer SW. (ie. Windows Image Viewer)

**Playback recorded video:**  
If SD stored recorded video files, enter video link and choose which video file you desire to playback. Windows will guide you to open/download video file (.AVI format) so that you can playback file via video decoder SW (ie. Windows Media Player)

**SECURITY**

# Advanced

## Digital Input/Digital Output

This section allows you to control the behavior of digital input (DI) and digital output (DO) devices. The I/O connector provides the physical interface for DO and DI that is used for connecting a number of external alarm devices, like IR-Sensors and alarm relays. The digital input is used for connecting external alarm devices. Once the alarm is triggered, images are recorded and sent by e-mail.

**D/I and D/O** The camera sends a signal when an event is **Active State**: triggered, depending upon the status type selected.

**N.C.** stands for *Normally Closed*. This means that the normal state of the circuit is closed. Therefore events are triggered when the device status changes to *Open*.

**N.O.** stands for *Normally Open*. This means that the normal state of the circuit is open. Therefore events are triggered when the device status changes to *Closed*.

Click **Save Settings**.

The screenshot shows the D-Link web interface for the DCS-6314 camera. The top navigation bar includes 'LIVE VIDEO', 'SETUP', 'ADVANCED', 'MAINTENANCE', 'STATUS', and 'HELP'. The 'ADVANCED' tab is selected, and the 'DI AND DO' configuration page is displayed. The page contains two sections for configuring digital input and output, each with a 'Save Settings' and 'Don't Save Settings' button. A 'Helpful Hints...' sidebar on the right provides additional information about the I/O connector and pin connections.

**D-Link**

DCS-6314 // LIVE VIDEO SETUP **ADVANCED** MAINTENANCE STATUS HELP

DI and DO  
ICR and IR  
HTTPS  
Access List  
Logout

**DI AND DO**

The I/O connector provides the physical interface for digital output (DO) and digital input (DI) that is used for connecting a diversity of external alarm devices such as IR-Sensors and alarm relays.

The digital input is used for connecting external alarm devices and once triggered images will be taken and e-mailed.

**DI AND DO**

Digital Input 1: The active state is  ; the current state detected is **Normal Open**

Digital Output: The active state is

**Helpful Hints...**

The network ipcam str provides a general I/O terminal block with one digital input and one relay switch for device control. Pin DI+ and pin DI- can be connected to an external sensor and the state of voltage will be monitored from the initial state 'LOW'. The relay switch of pin DO+ and pin DO- can be used to turn on or off the external device. Please refer to manual for detail connection diagram.

## ICR and IR

Here you can configure the ICR (Removable IR-Cut Filter) and IR (Infrared Light Control) settings. When the ICR filter is switched on, it blocks infrared light and allows only visible light to pass through. The ICR is disengaged in low-light environments.

**Automatic:** If you select this option, the Day/Night mode is set automatically. Generally, the camera uses Day mode and switches to Night mode when it gets dark.

**Day Mode:** Day mode enables the IR-Cut Filter.

**Night Mode:** Night mode disables the IR-Cut Filter.

**Schedule Mode:** Set up the Day/Night mode using a schedule. The camera will enter Day mode at the starting time and return to Night mode at the ending time.

**IR Light Control:** The camera can enable or disable the IR (infrared) light according to your preferences. This setting provides additional controls depending on your specific application.

**Off:** The IR light will always be off.

**On:** The IR light will always be on.

**Sync:** The IR light will turn on when the ICR sensor is on.

**Schedule:** The *IR Light Control* will turn on and off based on the schedule that you select using the drop-down menus below.

Click on **Save Settings**.

The screenshot displays the D-Link DCS-6314 web interface. The top navigation bar includes 'LIVE VIDEO', 'SETUP', 'ADVANCED', 'MAINTENANCE', 'STATUS', and 'HELP'. The 'ADVANCED' tab is selected, and the 'ICR AND IR' settings page is shown. The page is divided into three main sections: 'ICR AND IR', 'ICR', and 'IR LIGHT'. On the right side, there is a 'Helpful Hints...' section with detailed explanations for each mode.

**ICR AND IR:** An IR(Infrared) Cut-Removable(ICR) filter can be disengaged from the image path for increased sensitivity in low light environments. The ICR filter will automatically engage depending on the ambient light, allowing the camera to be effective in day/night environments. 1. Select the Day/Night from the radio button. The available options are Automatic, Schedule mode, Day mode and Night mode. 2. The default value is Automatic. Light Sensor Sensitivity: Light sensor sensitivity has Low, Medium, and High three different levels. You may get current camera light illumination by clicking Refresh button to set proper level of Light sensor sensitivity. For example, when level sets at High less than 30lux, camera will switch Day & Night mode to Night mode. IR Light: The built-in IR light illuminators will be activated automatically or manually so as to supplement the low light situation without additional equipment. Buttons: Save Settings, Don't Save Settings.

**ICR:** Removable IR-Cut filter trigger condition:  Automatic Sensitivity: Medium:<20lux over 30 lux Refresh  Day mode  Night mode  Schedule mode Day mode(24hr) From 07 00 To 18 00 Buttons: Save Settings, Don't Save Settings.

**IR LIGHT:** IR Light Control: Medium  Off  On  Sync. With ICR  Schedule IR Light Control On(24hr) From 07 00 To 18 00 Buttons: Save Settings, Don't Save Settings.

**Helpful Hints... ICR and IR:** **Automatic:** The day/Night mode is set automatically. It is normally set in the Day mode and changes to the Night mode in a dark place. **Day mode:** The Day mode means disable the IR Cut Filter. **Night mode:** The Night mode means enable the IR Cut Filter. **Schedule mode:** Set the Day/Night mode using the schedule. Fill in the time so the Day/Night mode is normally set to Day mode at the start time and returns to the Night mode at the end time. **IR Light Control:** In poor light conditions, open IR Light Control to automatically turn on the light to enable you to take dear picture. The IR Light Control has 4 options: Off, On, Sync, with ICR, and Schedule. Off: This option disable the IR Light Control. On: This option automatically opens the IR Light Control to enable a camera to take dear images in poor light conditions. Sync. with ICR: In this option, the IR Light Control will open automatically and follow the ICR setting. Schedule: In this option, you have to customize the setting to set the time period you want. Please set the Start time and the End time of your chosen schedule.

# HTTPS

This page allows you to create and activate an HTTPS (Hypertext Transfer Protocol Secure ) certificate for secure access to your camera.

**Enable HTTPS Secure Connection:** **Enable HTTPS** service, for secure communication over computer networks. HTTPS is a TCP/IP protocol used by web servers to display content securely over the Internet.

**Create Certificate Method:** Select the way the certificate should be created. There are three options are available:

- Create a self-signed certificate automatically
- Create a self-signed certificate manually
- Create a certificate request and install

**Create:** Click to **Create Certificate**.

**Status:** Displays the current status of the certificate.

Click **Save Settings**.

***Note:** The certificate cannot be removed while the HTTPS is still enabled. To remove the certificate, you must first uncheck **Enable HTTPS secure connection**.*

The screenshot shows the D-Link web interface for the DCS-6314 camera. The main navigation bar includes 'LIVE VIDEO', 'SETUP', 'ADVANCED', 'MAINTENANCE', 'STATUS', and 'HELP'. The 'ADVANCED' tab is selected, and the 'HTTPS' sub-tab is active. The page content is as follows:

**HTTPS**

To enable HTTPS, you have to create and install certificate first.

[Save Settings] [Don't Save Settings]

**HTTPS**

Enable HTTPS secure connection

Create certificate method

Create self-signed certificate automatically

Create self-signed certificate manually

Create certificate request and install

Create certificate: [Create] Private key existed

**CERTIFICATE INFORMATION**

|                   |                  |
|-------------------|------------------|
| Status            | Active           |
| Country           | TW               |
| State or province | Taiwan           |
| Locality          | Taipei           |
| Organization      | D-Link Taiwan    |
| Organization Unit | R&D Dept.        |
| Common Name       | www.dlink.com.tw |

[CSR Property] [Certificate Property] [Remove]

[Save Settings] [Don't Save Settings]

**Helpful Hints...**

**Enable HTTPS secure connection:** allows you to enable HTTPS service

Note:

1. The certificate can't be removed while the HTTPS is still enabled. To remove the certificate you have to uncheck the "Enable HTTPS secure connection" first.

## Access List

Here you can set access permissions for users to view your DCS-6314.

**Allow List /Start IP address:** The starting *IP Address* of the device(s), such as a computer, that have permission to access the video from the camera. Click **Add** to save.

**Note:** A total of seven *IP addresses* can be configured for each section.

**End IP address:** The ending *IP Address* of the device(s), such as a computer, that have permission to access the video from the camera. Click **Add** to save.

**Delete allow list:** Remove the *IP Addresses* from the *Allow List*.

**Deny List /Start IP Address:** The starting *IP Address* of device(s), such as a computer, that **do not** have access rights to the video from the camera. Click **Add** to save.

**End IP address:** The ending *IP Address* of the device(s), such as a computer, that **do not** have permission to access the video from the camera. Click **Add** to save.

**Delete deny list:** Remove the *IP Addresses* from the **Delete List**.

### For example:

When the range of the Allowed List is set from 1.1.1.0 to 192.255.255.255 and the range of the Denied List is set from 1.1.1.0 to 170.255.255.255. Only users with IPs located between 171.0.0.0 and 192.255.255.255 can access the Network Camera.

The screenshot shows the D-Link DCS-6314 web interface. The navigation menu includes LIVE VIDEO, SETUP, ADVANCED, MAINTENANCE, STATUS, and HELP. The main content area is titled 'ACCESS LIST' and contains the following text: 'Here you can set access permissions for users to view your IP camera.' Below this, there are two sections: 'ALLOW LIST' and 'DENY LIST'. Each section has input fields for 'Start IP address' and 'End IP address', and a 'Delete' button. The 'ALLOW LIST' section also has a 'Delete allow list' dropdown menu. A 'Helpful Hints...' sidebar on the right provides definitions for 'Start IP Address', 'End IP Address', 'Delete Allow List', and 'Deny List'.



# Maintenance Admin

This section allows you to change settings for the administration of the camera. You can also add or delete user accounts, as well as enable or disable certain functions such as the on-screen display (OSD) or camera LED's.

**New Password:** Change the administrator's *Password* and verify **New Password**. Click **Save**.

**User Name:** Enter a **User Name** for a new *User Account*.

**Password:** Enter a **New Password** for the new *User Account*. Click **Add**.

**User List:** All the existing *User Accounts* will be displayed in the *User List*. Click on **Delete** to remove accounts from the list. You may want to reserve at least one user for a guest account.

**IP Camera Name:** Create a unique name for your camera that will be added to the file name prefix when creating a snapshot or a video clip.

**Enable OSD:** Check the box to **Enable OSD**, the On-Screen Display feature for your camera.

**Label:** Enter a **Label** for the camera, which will be shown on the *OSD* if it is enabled.

**Show Time:** Check the box to enable the time-stamp display on the video screen. Click **Save**.

**LED** Check the box to indicate whether to turn the camera LED **On** or **Off**. Click **Save**.

**D-Link**

DCS-6314 // LIVE VIDEO SETUP ADVANCED MAINTENANCE STATUS HELP

Admin  
System  
Firmware Upgrade  
Logout

**ADMIN**

Here you can change the administrator's password for your IP camera as well as add and/or delete user account(s). You can configure the information, such as IP camera's name and time via this page. You can also enable the OSD (On-Screen Display) feature in order to display the IP camera name and time stamp for your video recordings.

**ADMIN PASSWORD SETTING**

New Password  63 characters maximum  
Retype Password

**ADD USER ACCOUNT**

User Name  20 users maximum  
New Password  63 characters maximum  
Retype Password

**USER LIST**

User Name  -- User list --

**DEVICE SETTING**

IP camera Name  DCS-6314 63 characters maximum  
 Enable OSD  
Label  DCS-6314 30 characters maximum  
Show time

**LED**

LED  On  Off

**Helpful Hints...**

Enabling OSD, the IP camera name and time will be displayed on the video screen for the user.

For security purposes, it is recommended that you change the password for your administrator account. Be sure to write down the new password to avoid having to reset the IP camera in the event that it is forgotten.

**LED:** In the rear panel of your camera there is a LED beside the network adapter. ON: The LED will flash a light to indicate if the network is working or not. OFF: No light will show, forth option is turn off.

**SECURITY**

## System

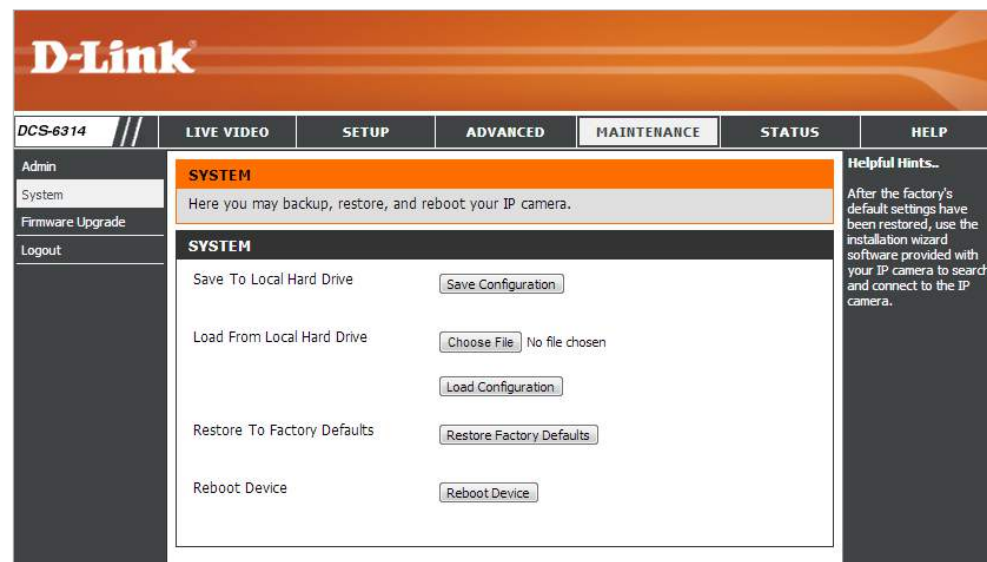
In the *System* section, you may backup, restore, and reboot your camera. If you *Restore Factory Defaults*, you can use the *Camera Installation Wizard* to reconfigure your DCS-6314. (Refer to page 26.)

**Save To Local Hard Drive:** Click on **Save Configuration** to save your current camera configuration as a file on your computer.

**Load From Local Hard Drive:** Locate a pre-existing configuration by clicking **Choose File**, then restore the pre-defined settings to your camera by clicking **Load Configuration**.

**Restore to Factory Defaults:** You may reset your camera and restore the factory settings by clicking **Restore Factory Defaults**.

**Reboot Device:** Click **Reboot Device** to restart your camera.



## Firmware Upgrade

The current firmware version for your DCS-6314 will be displayed on this screen, under *Firmware Information*. Visit the D-Link Support Website to check for the latest available firmware.

It is recommended that you keep your IP camera firmware up-to-date to improve the performance of your IP camera. To upgrade the firmware for your DCS-6314, download and save the latest firmware version from the D-Link Support Page to your local hard drive and then upload.

**Current Firmware Version:** Displays the detected firmware version.

**Current Product Name:** Displays your camera's model name.

**File Path:** Locate the file (firmware upgrade) on your hard drive by clicking **Choose File**.

**Upload:** Click to **Upload** the new firmware to your camera.

The screenshot shows the D-Link web interface for the DCS-6314 camera. The top navigation bar includes 'LIVE VIDEO', 'SETUP', 'ADVANCED', 'MAINTENANCE', 'STATUS', and 'HELP'. The left sidebar has 'Admin', 'System', 'Firmware Upgrade', and 'Logout'. The main content area is titled 'FIRMWARE UPGRADE' and contains the following text:

A new firmware upgrade may be available for your IP camera. It is recommended to keep your IP camera firmware up-to-date to maintain and improve the functionality and performance of your internet IP camera. Click here [D-Link Support Page](#) to check for the latest firmware version available.

To upgrade the firmware on your IP camera, please download and save the latest firmware version from the D-Link Support Page to your local hard drive. Locate the file on your local hard drive by clicking the Browse button. Once you have found and opened the file using the browse button, click the "Upload" button to start the firmware upgrade.

**FIRMWARE INFORMATION**

|                           |          |
|---------------------------|----------|
| Current Firmware Version: | 0.01.00  |
| Current Product Name:     | DCS-6314 |

**FIRMWARE UPGRADE**

File Path:  No file chosen

Helpful Hints...  
Firmware upgrade are released periodically to improve the functionality of your IP camera and also to add new features. If you run into a problem with a specific feature of the IP camera, check our support site by clicking [here](#) to check for an upgrade and see if updated firmware is available for your IP camera.

# Status Device Info

This page displays detailed information about your DCS-6314 and your network connection.

The screenshot shows the D-Link web interface for the DCS-6314 camera. The top navigation bar includes 'DCS-6314', 'LIVE VIDEO', 'SETUP', 'ADVANCED', 'MAINTENANCE', 'STATUS', and 'HELP'. The 'STATUS' tab is active, and the 'DEVICE INFO' sub-tab is selected. The main content area is titled 'DEVICE INFO' and contains a message: 'All of your network connection details are displayed on this page. The firmware version is also displayed here.' Below this is an 'INFORMATION' table with the following data:

| INFORMATION      |                          |
|------------------|--------------------------|
| IP camera Name   | DCS-6314                 |
| Time & Date      | Wed Mar 20 11:00:57 2013 |
| Firmware Version | 0.01.00                  |
| MAC Address      | 0A:34:CA:6A:CA:0B        |
| IP Address       | 192.168.0.100            |
| IP Subnet Mask   | 255.255.255.0            |
| Default Gateway  | 192.168.0.1              |
| Primary DNS      | 192.168.0.1              |
| Secondary DNS    | 0.0.0.0                  |
| PPPoE            | Disable                  |
| DDNS             | Disable                  |

On the right side of the interface, there is a 'Helpful Hints...' section with the text: 'This page displays all the information about the IP camera and network settings.'

## Logs

This page displays the system log information for your DCS-6314.

**First Page:** Click on **First Page** to go to the first page of the system logs.

**Previous 20:** Click **Previous 20**, to view the previous 20 events that have occurred.

**Next 20:** Click **Next 20**, to view the next 20 events that have occurred.

**Clear:** Click **Clear** to delete the saved log information.

**Download:** Click **Download** to download the information.

The screenshot shows the D-Link web interface for the DCS-6314 camera. The top navigation bar includes tabs for LIVE VIDEO, SETUP, ADVANCED, MAINTENANCE, STATUS, and HELP. The left sidebar contains links for Device Info, Log, and Logout. The main content area is titled 'SYSTEM LOG' and contains the following text: 'The system log records IP camera events that have occurred.' Below this is a 'CURRENT LOG' section with a list of 20 entries:

1. 2013-03-20 11:00:23 NETWORK RECONNECT
2. 2013-03-20 11:00:18 Someone Create Certificate
3. 2013-03-20 11:00:17 NETWORK LOSS
4. 2013-03-20 11:00:17 NETWORK RECONNECT
5. 2013-03-20 11:00:07 NETWORK LOSS
6. 2013-03-20 11:00:06 IP CAMERA ACQUIRE DHCP IP 192.168.0.100
7. 2013-03-20 11:00:05 NETWORK RECONNECT
8. 2013-03-20 11:00:04 NETWORK LOSS
9. 2013-03-20 10:57:14 IP CAMERA ACQUIRE DHCP IP 192.168.0.100
10. 2013-03-20 10:57:14 NETWORK RECONNECT
11. 2013-03-20 10:57:12 NETWORK LOSS
12. 2013-03-20 10:55:36 admin LOGIN OK FROM 192.168.0.2
13. 2013-03-20 10:47:10 admin FROM 192.168.0.2 SET VIDEO CODEC Need Reset
14. 2013-03-20 10:47:10 admin FROM 192.168.0.2 SET PROFILE 1 Viewer window area 640x360
15. 2013-03-20 10:47:10 admin FROM 192.168.0.2 SET PROFILE 1 Frame Size 640x360
16. 2013-03-20 10:44:28 IP CAMERA ACQUIRE DHCP IP 192.168.0.100
17. 2013-03-20 10:44:28 NETWORK RECONNECT
18. 2013-03-20 10:44:24 NETWORK LOSS
19. 2013-03-20 10:42:20 IP CAMERA ACQUIRE DHCP IP 192.168.0.100
20. 2013-03-20 10:42:19 NETWORK RECONNECT

At the bottom of the log list, there are five buttons: 'First Page', 'Previous 20', 'Next 20', 'Clear', and 'Download'. On the right side of the interface, there is a 'Helpful Hints...' section with the text: 'You can save the log to your local hard IP camera by clicking the Download button, and you can clear the log by clicking on the Clear button.'

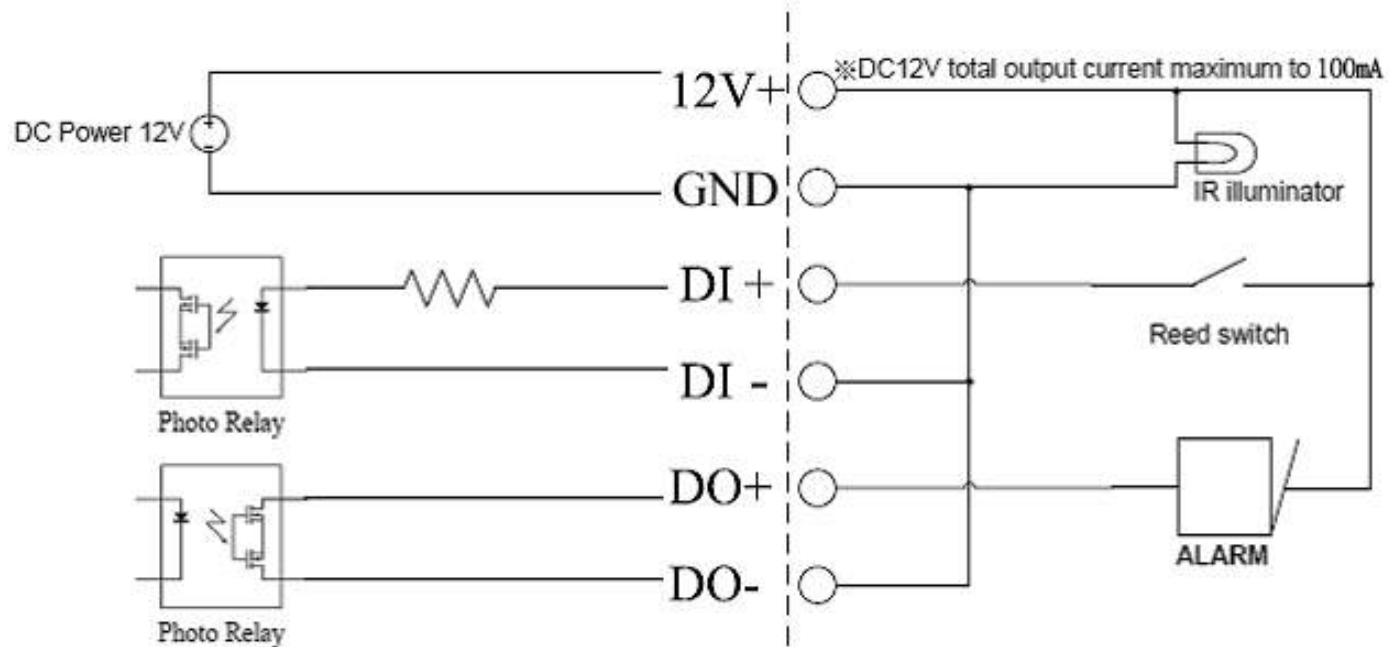
# Help

This page provides links to helpful information regarding camera operation.

The screenshot shows the D-Link DCS-6314 web interface. At the top, there is a navigation bar with the D-Link logo and tabs for LIVE VIDEO, SETUP, ADVANCED, MAINTENANCE, STATUS, and HELP. The HELP tab is selected. On the left side, there is a sidebar with 'Help' and 'Logout' links. The main content area is titled 'HELP' and contains a list of links organized into sections: LIVE VIDEO (Camera), SETUP (Setup Wizard, Network Setup, Dynamic DNS, Image Setup, Audio and Video, Preset, Motion Detection, Time and Date, Event Setup, SD Card), ADVANCED (DI and DO, ICR and IR, HTTPS, Access List), MAINTENANCE (Admin, System, Firmware Upgrade), and STATUS (Device Info, Log). At the bottom of the page, there is a 'SECURITY' section.

| DCS-6314        | LIVE VIDEO   | SETUP  | ADVANCED  | MAINTENANCE  | STATUS   | HELP  |
|-----------------|--|--|---|--|--|---|
| Help<br>Logout  | <b>HELP</b> <ul style="list-style-type: none"><li>LIVE VIDEO</li><li>SETUP</li><li>MAINTENANCE</li><li>ADVANCED</li><li>STATUS</li></ul> | <b>LIVE VIDEO</b> <ul style="list-style-type: none"><li>Camera</li></ul> | <b>SETUP</b> <ul style="list-style-type: none"><li>Setup Wizard</li><li>Network Setup</li><li>Dynamic DNS</li><li>Image Setup</li><li>Audio and Video</li><li>Preset</li><li>Motion Detection</li><li>Time and Date</li><li>Event Setup</li><li>SD Card</li></ul> | <b>ADVANCED</b> <ul style="list-style-type: none"><li>DI and DO</li><li>ICR and IR</li><li>HTTPS</li><li>Access List</li></ul> | <b>MAINTENANCE</b> <ul style="list-style-type: none"><li>Admin</li><li>System</li><li>Firmware Upgrade</li></ul> | <b>STATUS</b> <ul style="list-style-type: none"><li>Device Info</li><li>Log</li></ul> |
| <b>SECURITY</b> |  |  |   |  |  |   |

# DI/DO Specifications



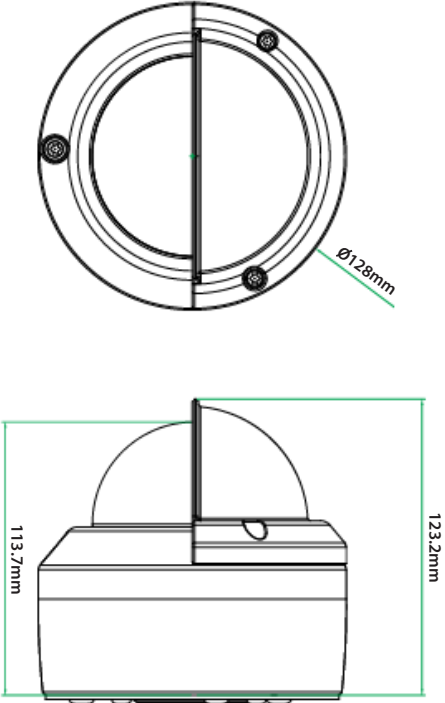


# Technical Specifications

|                |                                  |   |  |
|----------------|----------------------------------|---|--|
| <b>Camera</b>  | <b>Camera Hardware Profile</b>   | <ul style="list-style-type: none"> <li>• 1/2.8" 2 Megapixel progressive CMOS sensor</li> <li>• 15 meter IR illumination distance</li> <li>• Minimum illumination 0.2 Lux / F1.4 Color mode</li> <li>• Minimum illumination 0.05 Lux / F1.4 Black and White mode</li> <li>• Minimum illumination 0 Lux Black and White mode with IR LED on</li> <li>• Built-in Infrared-Cut Removable (ICR) Filter module</li> </ul> | <ul style="list-style-type: none"> <li>• 2.8 to 12mm variable focal lens</li> <li>• Aperture F1.4</li> <li>• Angle of view (16:9)               <ul style="list-style-type: none"> <li>• (H) 96.5° ~ 31.2°</li> <li>• (V) 64.5° ~ 17.8°</li> <li>• (D) 117.5° ~ 36.8°</li> </ul> </li> </ul> |
|                | <b>Camera Housing</b>            | <ul style="list-style-type: none"> <li>• IP-68 compliant weatherproof housing</li> <li>• IK-10 compliant vandal-proof housing</li> </ul>  | <ul style="list-style-type: none"> <li>• Included weather shield</li> </ul>  |
|                | <b>Image Features</b>            | <ul style="list-style-type: none"> <li>• Configurable image size, quality, frame rate, and bit rate</li> <li>• Time stamp and text overlays</li> <li>• Configurable motion detection windows</li> </ul>   | <ul style="list-style-type: none"> <li>• Configurable privacy mask zones</li> <li>• Configurable exposure time, brightness, saturation, contrast, contrast, sharpness.</li> </ul>  |
|                | <b>Video Compression</b>         | <ul style="list-style-type: none"> <li>• Simultaneous H.264/MPEG-4/MJPEG format compression</li> <li>• H.264/MPEG-4 multicast streaming</li> </ul>  | <ul style="list-style-type: none"> <li>• JPEG for still images</li> </ul>  |
|                | <b>Video Resolution</b>          | <ul style="list-style-type: none"> <li>• 16:9 - 1920 x 1080, 1280 x 720, 800 x 450, 640 x 360, 480 x 270, 320 x 176, 176 x 144 up to 30 fps</li> </ul>  | <ul style="list-style-type: none"> <li>• 4:3 - 1440 x 1080, 1280 x 960, 1024 x 768, 800 x 600, 640 x 480, 320 x 240, 176 x 144 up to 30 fps</li> </ul>   |
|                | <b>Audio Support</b>             | <ul style="list-style-type: none"> <li>• G.726</li> </ul>   | <ul style="list-style-type: none"> <li>• G.711</li> </ul>  |
|                | <b>External Device Interface</b> | <ul style="list-style-type: none"> <li>• 10/100 BASE-TX Ethernet port with PoE</li> <li>• 1 DI / 1 DO</li> <li>• DC12V, 100 mA Output</li> </ul>  | <ul style="list-style-type: none"> <li>• micro SD/SDHC card Slot</li> <li>• Audio input / output</li> </ul>  |
| <b>Network</b> | <b>Network Protocols</b>         | <ul style="list-style-type: none"> <li>• IPv6</li> <li>• IPv4</li> <li>• TCP/IP</li> <li>• UDP</li> <li>• ICMP</li> <li>• DHCP client</li> <li>• NTP client (D-Link)</li> <li>• DNS client</li> <li>• DDNS client (D-Link)</li> <li>• SMTP client</li> <li>• FTP client</li> </ul>  | <ul style="list-style-type: none"> <li>• HTTP / HTTPS</li> <li>• Samba client</li> <li>• PPPoE</li> <li>• UPnP port forwarding</li> <li>• RTP / RTSP / RTCP</li> <li>• IP filtering</li> <li>• QoS</li> <li>• CoS</li> <li>• Multicast</li> <li>• ONVIF compliant</li> </ul>                 |
|                | <b>Security</b>                  | <ul style="list-style-type: none"> <li>• Administrator and user group protection</li> <li>• Password authentication</li> </ul>  | <ul style="list-style-type: none"> <li>• HTTP and RTSP digest encryption</li> </ul>  |



## Appendix B: Technical Specifications

|                          |                                       |  |  |
|--------------------------|---------------------------------------|--|--|
| <b>System Management</b> | System Requirements for Web Interface | <ul style="list-style-type: none"> <li>• Browser: Internet Explorer, Firefox, Chrome, Safari</li> </ul>  |  |
|                          | Event Management                      | <ul style="list-style-type: none"> <li>• Motion detection</li> <li>• Event notification and uploading of snapshots/video clips via e-mail or FTP</li> </ul>              | <ul style="list-style-type: none"> <li>• Supports multiple SMTP and FTP servers</li> <li>• Multiple event notifications</li> <li>• Multiple recording methods for easy backup</li> </ul> |
|                          | Remote Management                     | <ul style="list-style-type: none"> <li>• Take snapshots/video clips and save to local hard drive or NAS via web browser</li> </ul>                                       | <ul style="list-style-type: none"> <li>• Configuration interface accessible via web browser</li> </ul>   |
|                          | OS Support                            | <ul style="list-style-type: none"> <li>• Windows® 7 or 8/Windows Vista® /XP/ 2000/iPhone/iPad/Android</li> </ul>   |  |
|                          | D-ViewCam™ System Requirements        | <ul style="list-style-type: none"> <li>• Operating System: Microsoft Windows® 7 or 8/Windows Vista® /XP</li> <li>• Web Browser: Internet Explorer 7 or higher</li> </ul> | <ul style="list-style-type: none"> <li>• Protocol: Standard TCP/IP</li> </ul>  |
|                          | D-ViewCam™ Software Functions         | <ul style="list-style-type: none"> <li>• Remote management/control of up to 32 cameras</li> <li>• Viewing of up to 32 cameras on one screen</li> </ul>                   | <ul style="list-style-type: none"> <li>• Supports all management functions provided in web interface</li> <li>• Scheduled motion triggered, or manual recording options</li> </ul>       |
| <b>General</b>           | Weight                                | <ul style="list-style-type: none"> <li>• 1112g (with weathershield)</li> </ul>   |  |
|                          | External Power Adapter                | <ul style="list-style-type: none"> <li>• Input: 100~200 V AC , 50/60 Hz</li> </ul>   | <ul style="list-style-type: none"> <li>• Output: 12 V DC 1.5 A</li> </ul>  |
|                          | Power Consumption                     | <ul style="list-style-type: none"> <li>• 10 +-5% Watt</li> </ul>   |  |
|                          | Temperature                           | <ul style="list-style-type: none"> <li>• Operating: -30 to 50 °C (-22 to 122 °F)</li> </ul>  | <ul style="list-style-type: none"> <li>• Storage: -20° to 70° C (-4° to 158° F)</li> </ul>   |
|                          | Humidity                              | <ul style="list-style-type: none"> <li>• Operating: 20% to 80% non-condensing</li> </ul>   | <ul style="list-style-type: none"> <li>• Storage: 5% to 95% non-condensing</li> </ul>  |
|                          | Certifications                        | <ul style="list-style-type: none"> <li>• CE</li> <li>• CE LVD</li> </ul>   | <ul style="list-style-type: none"> <li>• FCC</li> <li>• C-Tick</li> </ul>  |

|                                    |   |   |   |
|------------------------------------|---|---|---|
| <p><b>Dimensions</b></p>           |  |   |   |
| <p><b>Order Information</b></p>    | <p><b>Part Number</b></p>   | <p><b>Description</b></p>   |   |
| <p><b>Optional Accessories</b></p> | <p>DCS-34-2</p>   |  | <p>Pendant Mount<br/>201 x 150 mm (7.9 x 5.9 inches), 665 grams (1.45 lbs)</p>  |
|                                    | <p>DCS-34-3</p>   |  | <p>Bent Arm Mount<br/>253 x 150 mm (9.96 x 5.9 inches), 770 grams (1.7 lbs)</p> |

# Contacting Technical Support

U.S. and Canadian customers can contact D-Link technical support through our web site or by phone.

Before you contact technical support, please have the following ready:

- Model number of the product (e.g. DCS-6314)
- Hardware Revision (located on the label on the bottom of the camera (e.g. rev A1))
- Serial Number (s/n number located on the label on the bottom of the camera).

You can find software updates and user documentation on the D-Link website as well as frequently asked questions and answers to technical issues.

## For customers within the United States:

**Phone Support:**  
(877) 354-6555

**Internet Support:**  
<http://support.dlink.com>

## For customers within Canada:

**Phone Support:**  
(877) 354-6560

**Internet Support:**  
<http://support.dlink.ca>

# Warranty

Subject to the terms and conditions set forth herein, D-Link Systems, Inc. (“D-Link”) provides this Limited Warranty:

- Only to the person or entity that originally purchased the product from D-Link or its authorized reseller or distributor, and
- Only for products purchased and delivered within the fifty states of the United States, the District of Columbia, U.S. Possessions or Protectorates, U.S. Military Installations, or addresses with an APO or FPO.

## Limited Warranty:

D-Link warrants that the hardware portion of the D-Link product described below (“Hardware”) will be free from material defects in workmanship and materials under normal use from the date of original retail purchase of the product, for the period set forth below (“Warranty Period”), except as otherwise stated herein.

- Hardware (excluding power supplies and fans): Five (5) years
- Power supplies and fans: One (1) year
- Spare parts and spare kits: Ninety (90) days

The customer’s sole and exclusive remedy and the entire liability of D-Link and its suppliers under this Limited Warranty will be, at D-Link’s option, to repair or replace the defective Hardware during the Warranty Period at no charge to the original owner or to refund the actual purchase price paid. Any repair or replacement will be rendered by D-Link at an Authorized D-Link Service Office. The replacement hardware need not be new or have an identical make, model or part. D-Link may, at its option, replace the defective Hardware or any part thereof with any reconditioned product that D-Link reasonably determines is substantially equivalent (or superior) in all material respects to the defective Hardware. Repaired or replacement hardware will be warranted for the remainder of the original Warranty Period or ninety (90) days, whichever is longer, and is subject to the same limitations and exclusions. If a material defect is incapable of correction, or if D-Link determines that it is not practical to repair or replace the defective Hardware, the actual price paid by the original purchaser for the defective Hardware will be refunded by D-Link upon return to D-Link of the defective Hardware. All Hardware or part thereof that is replaced by D-Link, or for which the purchase price is refunded, shall become the property of D-Link upon replacement or refund.

### **Limited Software Warranty:**

D-Link warrants that the software portion of the product (“Software”) will substantially conform to D-Link’s then current functional specifications for the Software, as set forth in the applicable documentation, from the date of original retail purchase of the Software for a period of ninety (90) days (“Software Warranty Period”), provided that the Software is properly installed on approved hardware and operated as contemplated in its documentation. D-Link further warrants that, during the Software Warranty Period, the magnetic media on which D-Link delivers the Software will be free of physical defects. The customer’s sole and exclusive remedy and the entire liability of D-Link and its suppliers under this Limited Warranty will be, at D-Link’s option, to replace the non-conforming Software (or defective media) with software that substantially conforms to D-Link’s functional specifications for the Software or to refund the portion of the actual purchase price paid that is attributable to the Software. Except as otherwise agreed by DLink in writing, the replacement Software is provided only to the original licensee, and is subject to the terms and conditions of the license granted by D-Link for the Software. Replacement Software will be warranted for the remainder of the original Warranty Period and is subject to the same limitations and exclusions. If a material non-conformance is incapable of correction, or if D-Link determines in its sole discretion that it is not practical to replace the non-conforming Software, the price paid by the original licensee for the non-conforming Software will be refunded by D-Link; provided that the non-conforming Software (and all copies thereof) is first returned to D-Link. The license granted respecting any Software for which a refund is given automatically terminates.

### **Non-Applicability of Warranty:**

The Limited Warranty provided hereunder for Hardware and Software portions of D-Link’s products will not be applied to and does not cover any refurbished product and any product purchased through the inventory clearance or liquidation sale or other sales in which D-Link, the sellers, or the liquidators expressly disclaim their warranty obligation pertaining to the product and in that case, the product is being sold “As-Is” without any warranty whatsoever including, without limitation, the Limited Warranty as described herein, notwithstanding anything stated herein to the contrary.

### **Submitting A Claim (USA):**

The customer shall return the product to the original purchase point based on its return policy. In case the return policy period has expired and the product is within warranty, the customer shall submit a claim to D-Link as outlined below:

- The customer must submit with the product as part of the claim a written description of the Hardware defect or Software nonconformance in sufficient detail to allow DLink to confirm the same, along with proof of purchase of the product (such as a copy of the dated purchase invoice for the product) if the product is not registered.
- The customer must obtain a Case ID Number from D-Link Technical Support at 1-877-354-6555, who will attempt to assist the customer in resolving any suspected defects with the product. If the product is considered defective, the customer must obtain a Return Material Authorization (“RMA”) number by completing the RMA form and entering the assigned Case ID Number at <https://rma.dlink.com/>.

- After an RMA number is issued, the defective product must be packaged securely in the original or other suitable shipping package to ensure that it will not be damaged in transit, and the RMA number must be prominently marked on the outside of the package. Do not include any manuals or accessories in the shipping package. DLink will only replace the defective portion of the product and will not ship back any accessories.
- The customer is responsible for all in-bound shipping charges to D-Link. No Cash on Delivery (“COD”) is allowed. Products sent COD will either be rejected by D-Link or become the property of D-Link. Products shall be fully insured by the customer and shipped to D-Link Systems, Inc., 17595 Mt. Herrmann, Fountain Valley, CA 92708. D-Link will not be held responsible for any packages that are lost in transit to D-Link. The repaired or replaced packages will be shipped to the customer via UPS Ground or any common carrier selected by D-Link. Return shipping charges shall be prepaid by D-Link if you use an address in the United States, otherwise we will ship the product to you freight collect. Expedited shipping is available upon request and provided shipping charges are prepaid by the customer. D-Link may reject or return any product that is not packaged and shipped in strict compliance with the foregoing requirements, or for which an RMA number is not visible from the outside of the package. The product owner agrees to pay D-Link’s reasonable handling and return shipping charges for any product that is not packaged and shipped in accordance with the foregoing requirements, or that is determined by D-Link not to be defective or non-conforming.

### **Submitting A Claim (Canada):**

The customer shall return the product to the original purchase point based on its return policy. In case the return policy period has expired and the product is within warranty, the customer shall submit a claim to D-Link as outlined below:

- Customers need to provide their receipt (proof of purchase) even if the product is registered. Without a receipt, no warranty service will be done. The registration is not considered a proof of purchase.
- The customer must submit with the product as part of the claim a written description of the Hardware defect or Software nonconformance in sufficient detail to allow D-Link to confirm the same, along with proof of purchase of the product (such as a copy of the dated purchase invoice for the product) if the product is not registered.
- The customer must obtain a Case ID Number from D-Link Technical Support at 1-800-361-5265, who will attempt to assist the customer in resolving any suspected defects with the product. If the product is considered defective, the customer must obtain a Return Material Authorization (“RMA”) number by completing the RMA form and entering the assigned Case ID Number at <https://rma.dlink.ca/>.
- After an RMA number is issued, the defective product must be packaged securely in the original or other suitable shipping package to ensure that it will not be damaged in transit, and the RMA number must be prominently marked on the outside of the package. Do not include any manuals or accessories in the shipping package. D-Link will only replace the defective portion of the product and will not ship back any accessories.

### **CE Mark Warning:**

This is a Class B product. In a domestic environment, this product may cause radio interference, in which case the user may be required to take adequate measures.

### **FCC Statement:**

This equipment has been tested and found to comply with the limits for a Class B digital device, pursuant to part 15 of the FCC Rules. These limits are designed to provide reasonable protection against harmful interference in a residential installation. This equipment generates, uses, and can radiate radio frequency energy and, if not installed and used in accordance with the instructions, may cause harmful interference to radio communication. However, there is no guarantee that interference will not occur in a particular installation. If this equipment does cause harmful interference to radio or television reception, which can be determined by turning the equipment off and on, the user is encouraged to try to correct the interference by one or more of the following measures:

- Reorient or relocate the receiving antenna.
- Increase the separation between the equipment and receiver.
- Connect the equipment into an outlet on a circuit different from that to which the receiver is connected.
- Consult the dealer or an experienced radio/TV technician for help.

### **FCC Caution:**

Any changes or modifications not expressly approved by the party responsible for compliance could void the user's authority to operate this equipment.

This device complies with Part 15 of the FCC Rules. Operation is subject to the following two conditions:

- (1) This device may not cause harmful interference, and
- (2) this device must accept any interference received, including interference that may cause undesired operation.

### **IMPORTANT NOTICE:**

#### **FCC Radiation Exposure Statement:**

This equipment complies with FCC radiation exposure limits set forth for an uncontrolled environment. This equipment should be installed and operated with minimum distance 20cm between the radiator & your body. This transmitter must not be co-located or operating in conjunction with any other antenna or transmitter.

The availability of some specific channels and/or operational frequency bands are country dependent and are firmware programmed at the factory to match the intended destination. The firmware setting is not accessible by the end user.

- The customer is responsible for all in-bound shipping charges to D-Link. No Cash on Delivery (“COD”) is allowed. Products sent COD will be rejected by D-Link. Products shall be fully insured by the customer and shipped to D-Link Networks, Inc., 2525 Meadowvale Boulevard Mississauga, Ontario, L5N 5S2 Canada. D-Link will not be held responsible for any packages that are lost in transit to D-Link. The repaired or replaced packages will be shipped to the customer via Purolator Canada or any common carrier selected by D-Link. Return shipping charges shall be prepaid by D-Link if you use an address in Canada, otherwise we will ship the product to you freight collect. Expedited shipping is available upon request and provided shipping charges are prepaid by the customer. D-Link may reject or return any product that is not packaged and shipped in strict compliance with the foregoing requirements, or for which an RMA number is not visible from the outside of the package. The product owner agrees to pay D-Link’s reasonable handling and return shipping charges for any product that is not packaged and shipped in accordance with the foregoing requirements, or that is determined by D-Link not to be defective or non-conforming.
- RMA phone number: 1-800-361-5265 Hours of Operation: Monday-Friday, 9:00AM – 9:00PM EST

### **What Is Not Covered:**

The Limited Warranty provided herein by D-Link does not cover:

Products that, in D-Link’s judgment, have been subjected to abuse, accident, alteration, modification, tampering, negligence, misuse, faulty installation, lack of reasonable care, repair or service in any way that is not contemplated in the documentation for the product, or if the model or serial number has been altered, tampered with, defaced or removed; Initial installation, installation and removal of the product for repair, and shipping costs; Operational adjustments covered in the operating manual for the product, and normal maintenance; Damage that occurs in shipment, due to act of God, failures due to power surge, and cosmetic damage; Any hardware, software, firmware or other products or services provided by anyone other than D-Link; and Products that have been purchased from inventory clearance or liquidation sales or other sales in which D-Link, the sellers, or the liquidators expressly disclaim their warranty obligation pertaining to the product.

While necessary maintenance or repairs on your Product can be performed by any company, we recommend that you use only an Authorized D-Link Service Office. Improper or incorrectly performed maintenance or repair voids this Limited Warranty.

### **Disclaimer of Other Warranties:**

EXCEPT FOR THE LIMITED WARRANTY SPECIFIED HEREIN, THE PRODUCT IS PROVIDED “AS-IS” WITHOUT ANY WARRANTY OF ANY KIND WHATSOEVER INCLUDING, WITHOUT LIMITATION, ANY WARRANTY OF MERCHANTABILITY, FITNESS FOR A PARTICULAR PURPOSE AND NONINFRINGEMENT.



For detailed warranty information applicable to products purchased outside the United States, please contact the corresponding local D-Link office.

### **Industry Canada Statement:**

This device complies with RSS-210 of the Industry Canada Rules. Operation is subject to the following two conditions:

- (1) This device may not cause harmful interference, and
- (2) this device must accept any interference received, including interference that may cause undesired operation.

### **IMPORTANT NOTE:**

Radiation Exposure Statement:

This equipment complies with Canada radiation exposure limits set forth for an uncontrolled environment. This equipment should be installed and operated with minimum distance 20cm between the radiator and your body.

# Registration

Register your product online at [registration.dlink.com](http://registration.dlink.com)



Product registration is entirely voluntary and failure to complete or return this form will not diminish your warranty rights.

Version 1.0  
June 27, 2013