



Precision Monitoring

Pan, tilt, zoom apparatus provides a 360 degree range of motion with proportional speed adjustment

Wide Dynamic Range

Wide Dynamic Range technology neutralizes imperfect lighting, providing clear images with the right amount of contrast even when a subject is backlit

Weatherproof and Vandal-proof for Outdoor Applications

The DCS-6815/6817/6818 camera apparatus is housed in a weatherproof and vandal-proof enclosure (IP66 & IK-10 standard). A built-in heater and fan allows camera to operate in extreme environments at temperatures ranging from -40°C to 50°C.

Feature Highlights

- Sony Super HAD-II 1/4" CCD sensor
- Real-time H.264/ MPEG4 / MJPEG
- Standard definition (SD) resolution
- Day and night with removable IR-cut filter (ICR)
- 650 TVL high resolution
- WDR/ BLC for critical light source
- Simultaneous multi-stream support
- 3D de-interlace video enhancement
- 2D/ 3D de-noise video enhancement
- Multiple access list administration
- 16 privacy masks
- Composite analog (video) output
- 2-way audio support
- Alarm input/output (8/1)
- IP66 weather-proof housing
- IK-10 vandal-proof housing
- Built-in heater and fan for operating temperatures of -40°C ~ 50°C (-49°F ~ 122°F)
- 3GPP mobile surveillance
- Built-in Samba client for NAS
- ONVIF compliant

High Speed Dome Network Camera



DCS-6815 - 18X
DCS-6817 - 30X
DCS-6818 - 36X

The D-Link DCS-6815/6817/6818 is a high-performance high speed dome network camera, ideal for business IP surveillance applications. The DCS-6815/6817/6818 employs Sony 1/4" Super HAD-II CCD technology to deliver exceptional picture quality. High-performance SoC (system-on-chip) technology provides real-time video compression in H.264, MPEG-4, and Motion JPEG formats.

Proportional Pan, Tilt, and Zoom Speeds

Adjusting the camera is painless since the pan and tilt speed is proportional to the optical zoom ratio of the camera. When the camera zooms in, the panning speed is automatically slowed to improve camera tracking and controllability. PTZ presets allow the camera to monitor specified areas along predefined paths.

Weatherproof for Outdoor Use

The DCS-6815/6817/6818 camera apparatus is housed in a weatherproof enclosure (IP66 standard). A built-in heater and fan allows camera to operate in extreme environments at temperatures ranging from -40°C to 50°C.

Removable IR Cut Filter for Continuous Monitoring

The IR Cut Filter can be manually applied, or set to automatically adjust based on lighting conditions. This feature enables the camera to capture crisp color images during the daytime, and grayscale images in low-light.

Wide Dynamic Range (WDR) Applications

The Wide Dynamic Range (WDR) function of a camera provides clear images even under backlit conditions where the intensity of illumination can vary significantly. The DCS-6815/6817/6818 is recommended for extreme high-contrast environments. For example, when placed indoors, the DCS-6815/6817/6818 will adjust itself to the intense sunlight that may be streaming in through a nearby window. This makes it an ideal solution for security applications.

Robust Management Software

D-ViewCam is a software program that allows you to view up to 32 cameras on a single computer screen from a central location. Motion detection and digital input devices trigger automated e-mail alerts that can instantly inform administrators of unusual activities.



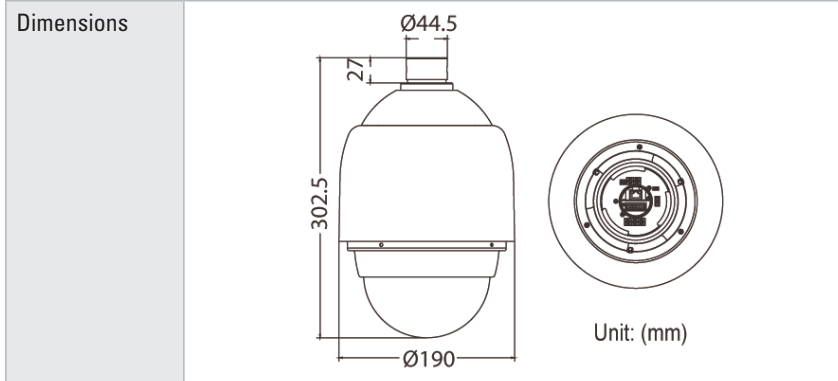


High Speed Dome Network Camera

Technical Specifications

Camera	Camera Hardware Profile	<ul style="list-style-type: none"> ▪ Sony Super HAD-II 1/4" CCD sensor ▪ Minimum illumination 0.1 Lux (Color); 0.01 Lux (B/W) ▪ 650 TVL ▪ Built-in Infrared-Cut Removable (ICR) Filter module ▪ S/N ratio > 50dB (AGC off) ▪ Electronic shutter 1/1 ~ 1/10K sec. ▪ 1-12x variable digital zoom 	DCS-6815	Optical Zoom: 18X Focal length 3.4~61.2 mm Angle of View (Horizontal) : 3.6° ~ 60.8°
			DCS-6817	Optical Zoom: 30X Focal length: 3.4~102 mm Angle of View (Horizontal): 2.2° ~ 60.8°
			DCS-6818	Optical Zoom: 36X Focal Length: 3.4~122.4 mm Angle of View (Horizontal): 1.8° ~ 60.8
	PTZ Hardware Profile	<ul style="list-style-type: none"> ▪ Pan travel: 360° endless ▪ Tilt Travel: -10° ~ 190° ▪ Manual Speed: 0.5° ~ 90°/s ▪ Presets : 256 points ▪ Preset Accuracy: 0.225° ▪ Preset Speed: 5° ~ 400°/s ▪ Sequence path: 8 ▪ Auto Pan: 4 	<ul style="list-style-type: none"> ▪ Cruise: 8 ▪ Pan and tilt speed proportional to zoom ratio ▪ Resume after Power loss ▪ Home Function: Preset, Sequence, Auto pan, Cruise ▪ Auto Flip: Mechanical/Digital/Off ▪ Digital Slow Shutter ▪ Image Freeze ▪ Image Inverse 	
	Image Features	<ul style="list-style-type: none"> ▪ Configurable image size, quality, frame rate, and bit rate ▪ Time stamp and text overlays ▪ Configurable motion detection windows 	<ul style="list-style-type: none"> ▪ 16 configurable privacy masks ▪ Configurable white balance, shutter speed, brightness, saturation, contrast, sharpness 	
	Video Compression	<ul style="list-style-type: none"> ▪ H.264/MPEG4/MJPEG format compression simultaneously ▪ JPEG for still image 	<ul style="list-style-type: none"> ▪ H.264/MPEG-4 multicast streaming 	
	Video Resolution	NTSC Support: <ul style="list-style-type: none"> ▪ Up to 30 fps at 176 x 120 ▪ Up to 30 fps at 352 x 240 ▪ Up to 30 fps at 720 x 480 	PAL Support: <ul style="list-style-type: none"> ▪ Up to 25 fps at 176 x 144 ▪ Up to 25 fps at 352 x 288 ▪ Up to 25 fps at 720 x 576 	
	Audio Support	2-way Audio Support with G.726 Compression		
External Device Interface	<ul style="list-style-type: none"> ▪ 8 Alarm inputs ▪ 1 Alarm outputs 	<ul style="list-style-type: none"> ▪ Audio input / output ▪ Video output 		
Network	Network Protocols	IPv4, TCP/IP, UDP, ICMP, DHCP Client, NTP Client (D-Link), DNS Client, DDNS Client (D-Link), SMTP Client, FTP Client, HTTP / HTTPS, Samba Client, PPPoE, UPnP Port Forwarding, RTP / RTSP / RTCP, IP filtering, 3GPP, IGMP, ONVIF Compliant		
	Security	<ul style="list-style-type: none"> ▪ Administrator and user group protection ▪ Password authentication 	<ul style="list-style-type: none"> ▪ HTTP and RTSP digest encryption 	
System Management	System Requirements for Web Interface	<ul style="list-style-type: none"> ▪ Operating system: Microsoft windows, 2000, XP, Vista, 7 ▪ Browser: Internet explorer, Firefox, Netscape, Mozilla, Opera 		
	Event Management	<ul style="list-style-type: none"> ▪ Motion detection ▪ Event notification and upload snapshots/video clips via HTTP, ▪ SMTP or FTP ▪ Supports multiple HTTP, SMTP and FTP servers 	<ul style="list-style-type: none"> ▪ Multiple event notification ▪ Multiple recording methods for easy backup 	
	Remote Management	<ul style="list-style-type: none"> ▪ Configuration accessible via web browser ▪ Take snapshots/video clips and save to local hard drive or NAS via web browser 		
	Mobile Support	Windows 2000 / XP / Vista / Win 7 / Pocket PC / Mobile Phone which 3GPP		
	D-ViewCam™ System Requirements	<ul style="list-style-type: none"> ▪ Operating System: Microsoft Windows R 7 / Vista / XP ▪ Web Browser: Internet Explorer 6 or higher 	<ul style="list-style-type: none"> ▪ Protocol: Standard TCP/IP 	
	D-ViewCam™ Software Functions	<ul style="list-style-type: none"> ▪ Remote management/control of up to 32 cameras ▪ Viewing of up to 32 cameras on one screen 	<ul style="list-style-type: none"> ▪ Supports all management functions provided in web interface ▪ Scheduled motion triggered, or manual recording options 	

General	Power Input	AC 24 V / 3A
	Max. Power Consumption	Max 65 W (with heater)
	Operating Temperature	-40° to 50° C (-40° to 122° F)
	Storage Temperature	-20° to 70° C (-4° to 158° F)
	Weatherproof	IP-66 standard
	Vandal-proof	IK-10 standard
	Humidity	20% to 80% non-condensing
	Weight	2.6 kg (5.9 lbs)
	Certifications	CE (Class A), CE LVD (EN60965-1), FCC (Class A), ICES-003, C-Tick



Optional Accessories (Not included with camera)

Model Name	Long Straight Tube	Short Straight Tube	Standard Pendant Mount	Mini Pendant Mount	Power Box	Power Box
Model Number	DCS-32-1	DCS-32-2	DCS-32-3	DCS-32-4	DCS-80-5	DCS-80-6
Image						
Dimensions	Height: 500 mm (19.7 inches)	Height: 250 mm (9.8 inches)	348 X 104 X 138.6 mm (13.7 x 4.1 x 5.46 inches)	204 x 124 x 135.2 mm (8 x 4.8 x 5.3 inches)	187 x 147 x 76 mm (7.36 x 5.78 x 3 inches)	187 x 147 x 76 mm (7.36 x 5.78 x 3 inches)
Diameter	50 mm (2 inches)	45 mm (1.8 inches)	—	—	—	—
Mounting Area	—	—	—	—	187 x 147 (7.36 x 7.16 inches)	187 x 147 (7.36 x 7.16 inches)
Weight	1.5 kg (3.3 lbs)	1 kg (2.2 lbs)	1.5 kg (3.3 lbs)	1.2 kg (2.6 lbs)	2 kg (4.4 lbs)	2 kg (4.4 lbs)
Power Input	—	—	—	—	100~115 V AC	220~230 V AC



D-Link Corporation
 No. 289 Xinhua 3rd Road, Neihu, Taipei 114, Taiwan
 Specifications are subject to change without notice.
 D-Link is a registered trademark of D-Link Corporation and its overseas subsidiaries.
 All other trademarks belong to their respective owners.
 ©2011 D-Link Corporation. All rights reserved.
 Release 01 (March 2011)