

## Product Highlights

### Security

RADIUS support for increased security

### Concurrent Dual-Band

Works in both 2.4 GHz and 5 GHz simultaneously

### Load Balancing

To optimise high network traffic volume and redundancy

### Aeroscout™ Technology

To identify and track assets equipped with an Aeroscout™ Radio Frequency ID (RFID) tag



## DWL-6600AP

# Wireless N Dual-Band Unified Access Point

## Features

### Flexible & Scalable

- Concurrent dual-band - works in 2.4 GHz and 5 GHz simultaneously
- Flexible deployment, stand-alone or centrally managed by a wireless controller
- Wireless performance of up to 300 Mbps<sup>1</sup> network throughput in each band
- Self-configuring cluster enables easier provisioning
- Up to 32 Virtual Access Points (VAP) can be created from a single device
- Automatic load-balancing among neighboring Access Point
- Flexible Quality of Service (QoS) with Wi-Fi Multimedia (WMM)
- Supports AirMagnet™

### Security

- WPA/WPA2 Personal
- WPA/WPA2 Enterprise
- WEP Encryption
- 802.1X User authentication
- MAC address filtering
- Rogue AP detection

### Convenient Installation

- Can be easily mounted on a wall or ceiling
- 802.3af Power Over Ethernet enables installation in hard-to-reach locations
- Plenum rated housing to comply with fire regulations

The DWL-6600AP provides businesses with a scalable and flexible solution for their wireless network. With high data transmission speeds and Access Point load balancing, the DWL-6600AP offers high-quality and reliable wireless service. Versatile and powerful, the DWL-6600AP can be flexibly deployed as a standalone wireless Access Point or as a managed access point controlled by D-Link's Wireless Controller, DWC-1000. Businesses can start with standalone mode deployment, then migrate to a centrally managed system in the future.

## Enhanced Performance

The DWL-6600AP delivers reliable wireless performance with maximum wireless signal rates of up to 300 Mbps in both the 2.4 GHz and 5 GHz mode. Support for Wi-Fi Multimedia™ (WMM) and Quality of Service (QoS) features makes the DWL-6600AP an ideal Access Point to prioritise audio, video, and voice applications. In addition, the load balancing feature ensures maximum performance in the wireless environment.

## Self-Configuring Cluster

For businesses that need to deploy multiple Access Points (APs) but do not have the resources to tackle the complicated task of network management, the DWL-6600AP's self-configuring cluster feature offers the ideal solution. When a small number of DWL-6600APs are deployed on the network, they may be configured to form a self-configuring cluster. Once the administrator has completed configuring one Access Point, the same configuration can then be applied to all the remaining APs. Up to 16 APs may be used to form a cluster.

### Unified Management

Alternatively, the DWL-6600AP can operate in conjunction with D-Link's Unified Switch or Wireless Controller. In this mode, multiple DWL-6600APs can connect directly or indirectly to one of these controllers to provide unparalleled security and wireless mobility for clients. Each DWL-6600AP will be continually tuned by the controller switches to provide the optimal Radio Frequency (RF) channels and transmission power for all mobile clients, providing them the better wireless signals in both 2.4 GHz and 5.0 GHz bands and uninterrupted wireless connectivity.

### Security

The DWL-6600AP supports the latest standards in Wi-Fi security, including WEP, WPA, WPA2, and 802.1X. In addition, the DWL-6600AP supports up to 16 Virtual Access Points (VAP) per radio, for a total of 32 VAPs, which allows the administrator to assign different access privileges to different groups of users. When Station Isolation is enabled, the AP blocks communication between wireless clients on the same radio and VAP. Rogue APs in the network can be easily detected, and the administrator will be immediately notified of any security threat. When used together with D-Link's Wireless Controller, DWC-1000, the security can be enhanced further.

### Convenient Installation

With an embedded antenna and a simple housing, the DWL-6600AP can be installed on a wall or ceiling and blends in with most office environments. Enclosed in a plenum-rated chassis, the DWL-6600AP adheres to strict fire regulations for placement in air passageways. For easy installation, the DWL-6600AP has integrated 802.3af Power over Ethernet (PoE) support, allowing installation of this device in areas where power outlets are not readily available.

### 3rd Party Support

The DWL-6600AP supports AirMagnet™, one of the industry's most accurate software solutions for planning, designing and troubleshooting wireless networks for optimal performance, security and compliance. AirMagnet™ calculates the ideal quantity, placement and configuration of APs for a successful WLAN deployment. It also allows IT administrators to test and diagnose wireless performance issues. Additionally, a RFID-based location tracking system is supported with Aeroscout™ technology. Aeroscout™ allows tracking of persons, objects and assets by means of RFID tags which have built-in location capabilities. This is especially useful within healthcare, manufacturing and security sectors.



If the worst should happen to your network you need the very best support and fast. Downtime costs your business money. D-Link Assist maximises your uptime by solving technical problems quickly and effectively. Our highly trained technicians are on standby around the clock, ensuring that award-winning support is only a phone call away.

With a choice of three affordable service offerings covering all D-Link business products, you can select the package that suits you best:

#### D-Link Assist Gold - for comprehensive 24-hour support

D-Link Assist Gold is perfect for mission-critical environments where maximum uptime is a high priority. It guarantees four hour around-the-clock response. Cover applies 24/7 for every day of the year including holidays.

#### D-Link Assist Silver - for prompt same-day assistance

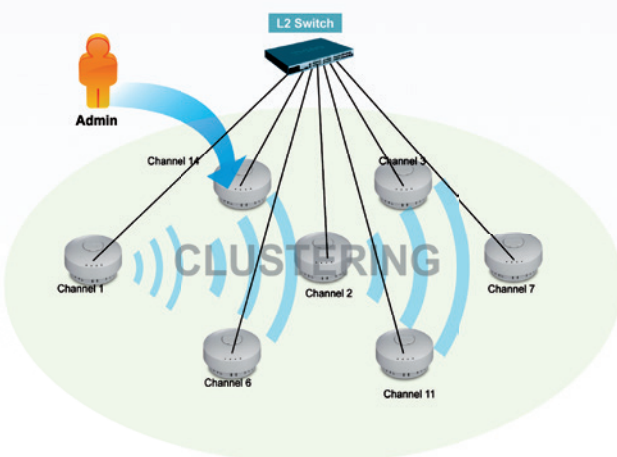
D-Link Assist Silver is designed for 'high availability' businesses that require rapid response within regular working hours. It provides a four hour response service Monday to Friday from 8am to 5pm, excluding holidays.

#### D-Link Assist Bronze - for guaranteed response on the next business day

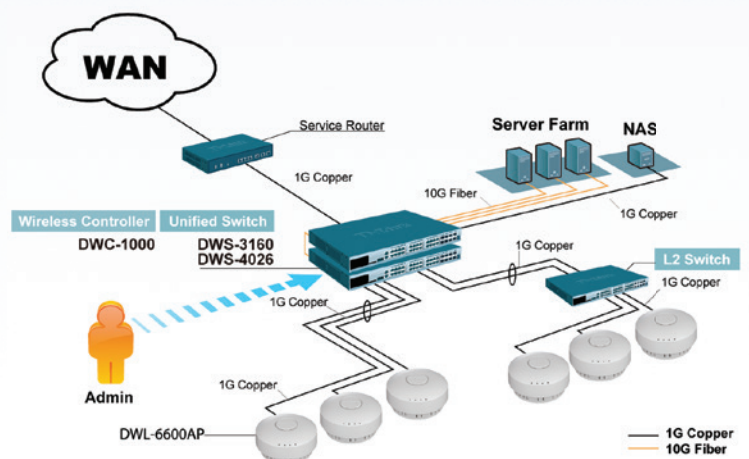
D-Link Assist Bronze is a highly cost-effective support solution for less critical environments. Response is guaranteed within eight business hours Monday to Friday from 8am to 5pm, excluding holidays.

D-Link Assist can be purchased together with any D-Link business product. So whether you're buying switching, wireless, storage, security or IP Surveillance equipment from D-Link, your peace of mind is guaranteed. D-Link Assist also offers installation and configuration services to get your new hardware working quickly and correctly.

### Deployment Scenario: AP Clustering



### Deployment Scenario: Unified Management



## Technical Specifications

### System

Wi-Fi Interface	• 802.11a/b/g/n 2.4/5.0 GHz
LAN Interface	• 10/100/100 Gigabit Ethernet
Console	• RJ-45
Antenna	• 2x2 MIMO embedded antenna with 4 external antenna connectors

### Wireless Frequency

802.11n	• 2.4 to 2.497 GHz and 4.9 to 5.85 GHz
802.11b/g	• 2.4 to 2.497 GHz
802.11a	• 5.15 to 5.35 GHz and 5.725 to 5.825 GHz

### Data Transfer Rate

802.11n	• 6.5 to 130 Mbps (20 MHz) • 6.5 to 300 Mbps (40 MHz)
802.11a/g	• 54, 48, 36, 24, 18, 12, 9, and 6 Mbps
802.11b	• 11, 5.5, 2, and 1 Mbps

### Operation Channel

5.0 GHz	• 19 Non-Overlapping Channels for Europe
2.4 GHz	• 13 channels for Europe

### Security

SSID	• 16 SSID per frequency band, 32 SSID per AP • Station Isolation
Wireless Security	• WEP, Dynamic WEP, WPA Personal/ Enterprise, WPA2 Personal/ Enterprise
Detection & Prevention	• Rogue and Valid AP Classification
Authentication	• MAC Address Filtering, 802.1X

### System Management

Web-based User Interface	• HTTP/HTTPS
Command Line	• SNMP, SSH, Telnet

### Power

Power Adapter	• 12VDC 1A
Power over Ethernet	• 48 V DC +/- 10 %

### Physical

Enclosure Type	• Plenum-rated chassis
Enclosure Size (H x D)	• 77.5 x 156 mm (3.05 x 6.14 inches)
Weight	• 0.5 kg (1.1 lbs)
Operating Temperature	• 0 to 40 °C (32 to 104 °F)
Operating Humidity	• 10% to 90% non-condensing
MTBF	• 497,476 hours
Certifications	• cUL, LVD (EN60950-1), UL2043, EN60601-1-2, FCC Class B, CE Class B, C-tick, IC, VCCI, NCC, TELEC, Wi-Fi®



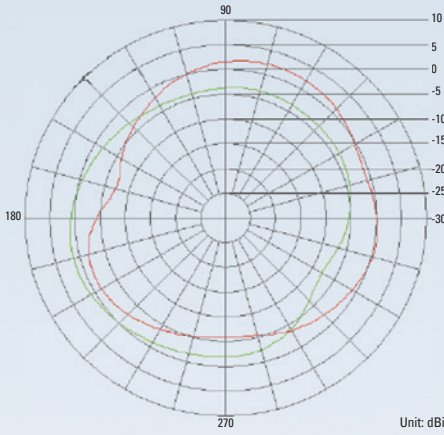
Wireless N Dual-Band Unified Access Point

	Standalone Mode	Managed Mode (Managed by D-Link Unified Switch or Wireless Controller)
Centralised Management	–	✓
Centralised Firmware Dispatch	–	✓
Visualised AP Management Tool	–	✓
Auto-Power Adjustment	–	✓
Dynamic Auto-Channel Selection	✓	✓
L2 Fast Roaming	–	✓
L3 Fast Roaming	–	✓
Captive Portal	–	✓
WEP/WPA/WPA2 Security	✓	✓
Rogue AP Detection	✓	✓
Rogue AP Mitigation	–	✓
WIDS	–	✓
Station Isolation	✓	✓
MAC Address Filtering	✓	✓
AP Load Balancing Setup	✓	✓
WDS	✓	✓
AP Clustering	✓	–
QoS/WMM	✓	✓
Local Storage Configuration	✓	–

# Wireless N Dualband Unified Access Point

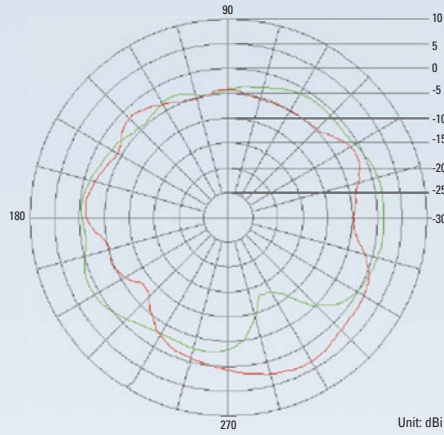
## H-Plane Total Gain Pattern

Ant 1 and Ant 2 at 2.4 G



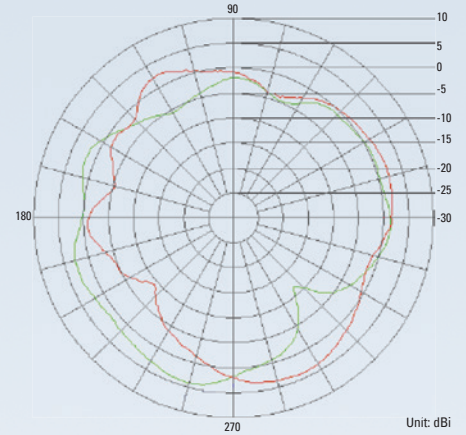
Ant 1 —  
Ant 2 —

Ant 3 and Ant 4 at 5.2 G



Ant 3 —  
Ant 4 —

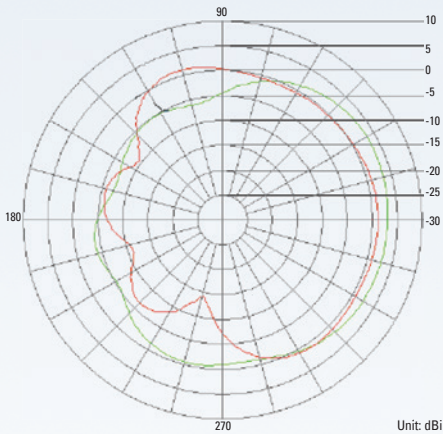
Ant 3 and Ant 4 at 5.8 G



Ant 3 —  
Ant 4 —

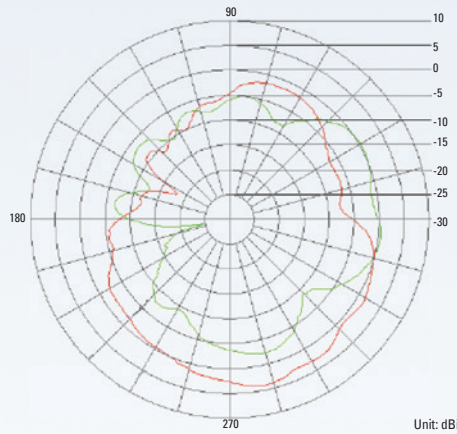
## V-Plane Total Gain Pattern

Ant 1 and Ant 2 at 2.4 G



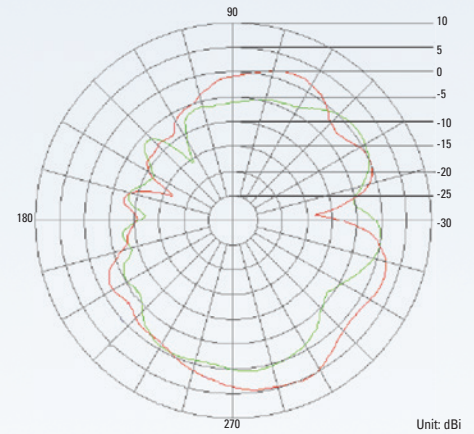
Ant 1 —  
Ant 2 —

Ant 3 and Ant 4 at 5.2 G



Ant 3 —  
Ant 4 —

Ant 3 and Ant 4 at 5.8 G



Ant 3 —  
Ant 4 —



For more information: [www.dlink.com](http://www.dlink.com)

