

C56/C56P

VoIP Phone

WWW.FANVIL.COM

VoIP Phone C56/C56P Quick Installation Guide



Fanvil

Smart VoIP

This phone can be set through the LCD or web page.
If you own this product to make some VoIP calls, an Ethernet-based Cable or a DSL modem with an active connection to the Internet are necessary.

Check Your Package Contents

These are the items included with your C56/C56P IP Phone purchase:



VoIP Phone C56/C56P



Handset



Power adaptor



Handset cord



Quick Installation Guide



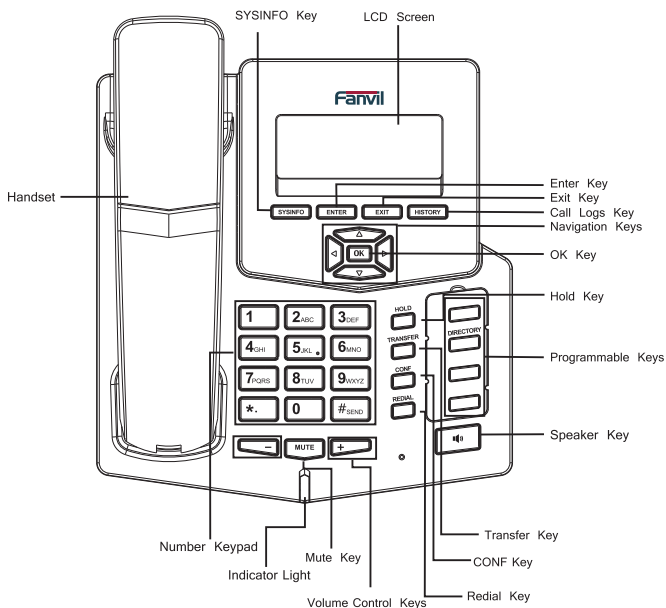
Base bracket



Ethernet Cable

2 The Appearance of Product

Front view and keypad function:

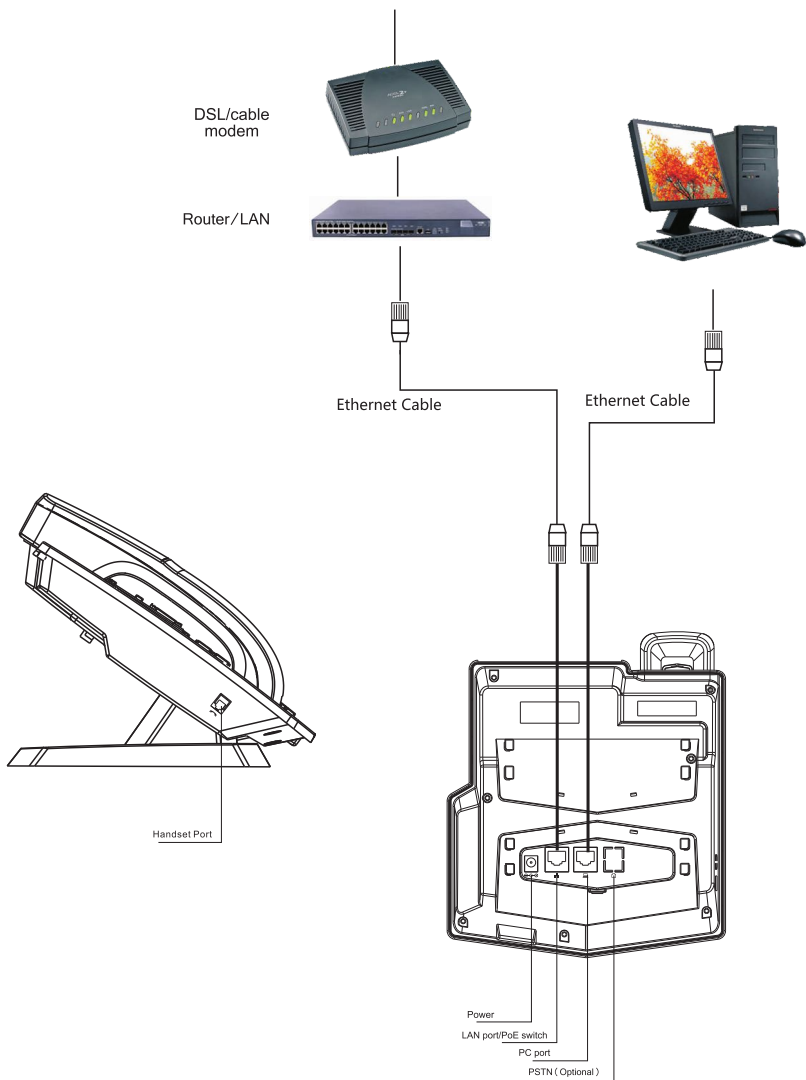


You can press these number keys one or more times to complete the corresponding input when you want do some input on the LCD.

Text Mode			Text Mode		
Key	Normal(ABC)	Numeric(0-9)	Key	Normal(ABC)	Numeric(0-9)
1		1	7 _{PQRS}	PQRS	7
2 _{ABC}	ABC	2	8 _{TUV}	TUV	8
3 _{DEF}	DEF	3	9 _{WXYZ}	WXYZ	9
4 _{GHI}	GHI	4	0		0
5 _{JKL}	JKL	5	*.	.	*
6 _{MNO}	MNO	6	#SEND		#

3 Connecting IP Phone

Connect the IP Phone as shown by the following diagram:



4 IP Phone Setup Menu(1)

Network mode Settings diagram:

1. The switch of network mode

Long press the number keys 1,2 or 3 respectively in the idle interface and press the OK key after the prompt “ARE YOU SURE”,the network mode will switch into the corresponding Static, DHCP and PPPoE mode.

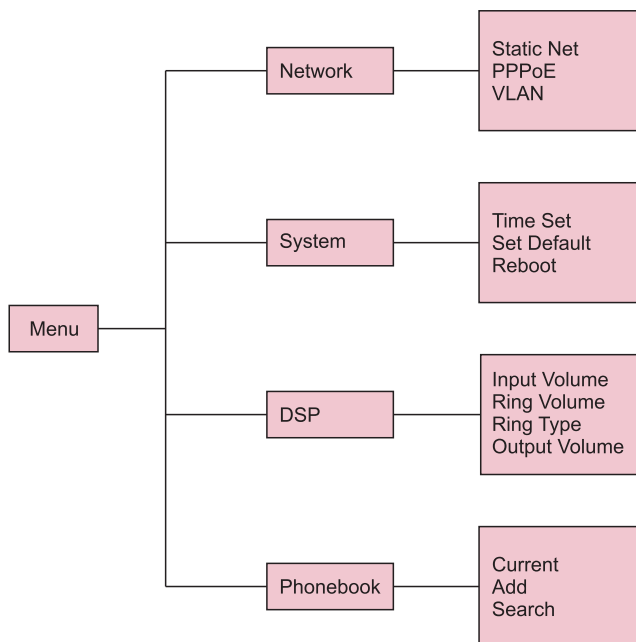
2. Static mode settings

Enter the password in the idle interface to access the menu NETWORK—WAN—STATIC NET, then set the IP, netmask, gateway, dns and dns2.

3. PPPoE mode settings

You can enter the menu NETWORK—WAN—PPPOE to set the username and password of the PPPoE.

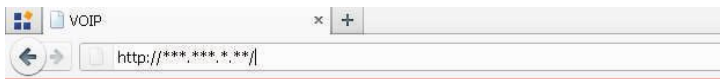
The menu of phone Structure:



5 Configuration(1)

Web Login

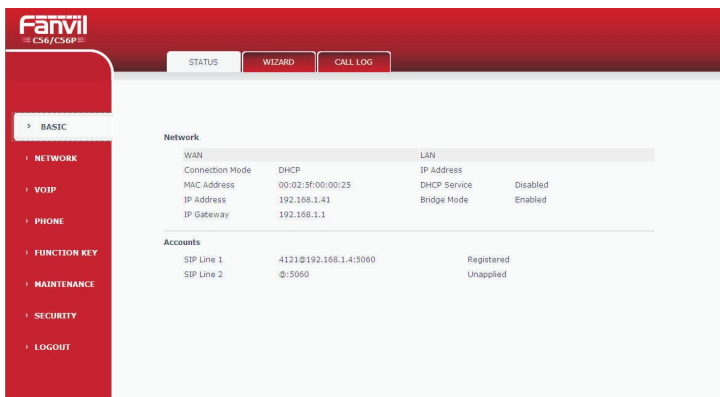
The configuration menu of C56/C56P can be accessed using the convenient and user-friendly interface of a web browser.



Open the browser and type into the IP address which can be found by clicking the SYSINFO key (e.g. <http://192.168.1.16>) to visit the Web page and make some configuration.



Enter the username and password, and both of the default username and password are "admin". After your logon, the Web page will be displayed as follows.



6 Configuration(2)

Network - PPPoE Setting

Select Network from the main menu.

Select PPPoE as network connection type if your ISP uses PPPoE. (Most DSL users use PPPoE.)

The screenshot shows the Fanvil web interface for WAN configuration. The 'NETWORK' menu is selected. The 'WAN Status' section displays the following information:

Active IP Address	192.168.1.41
Current Subnet Mask	255.255.255.0
Current IP Gateway	192.168.1.1
MAC Address	00:02:5f:00:00:25
MAC Timestamp	2012-3-1

The 'WAN Settings' section includes:

- Obtain DNS Server Automatically: Disabled
- Static IP: (selected)
- DHCP:
- PPPoE:
- Service Name: ANY
- User: user123
- Password: *****
- Apply button

Network - Static Setting

Select Static as network connection type if all Wide Area Network IP is provided to you by your ISP.

The screenshot shows the Fanvil web interface for WAN configuration. The 'NETWORK' menu is selected. The 'WAN Status' section displays the following information:

Active IP Address	192.168.1.41
Current Subnet Mask	255.255.255.0
Current IP Gateway	192.168.1.1
MAC Address	00:02:5f:00:00:25
MAC Timestamp	2012-3-1

The 'WAN Settings' section includes:

- Static IP: (selected)
- DHCP:
- PPPoE:
- IP Address: 192.168.1.179
- Subnet Mask: 255.255.255.0
- IP Gateway: 192.168.1.1
- DNS Domain: [empty]
- Primary DNS: 202.96.134.133
- Secondary DNS: 202.96.128.68
- Apply button

7 Configuration(3)

Network - DHCP Setting

Select DHCP as network connection type if your access network supports DHCP.

The screenshot shows the Fanvil C56/C56P web interface. The left sidebar contains a menu with options: BASIC, NETWORK (selected), VOIP, PHONE, FUNCTION KEY, MAINTENANCE, SECURITY, and LOGOUT. The main content area has tabs for WAN, QoS&VLAN, SERVICE PORT, and TIME&DATE. Under the WAN tab, there are two sections: WAN Status and WAN Settings. The WAN Status section displays: Active IP Address (192.168.1.28), Current Subnet Mask (255.255.255.0), Current IP Gateway (192.168.1.1), MAC Address (30:30:28:10:f0:ae), and MAC Timestamp (2012-4-5). The WAN Settings section includes: Obtain DNS Server Automatically (Enabled), Static IP (radio button), DHCP (radio button, selected), and PPPoE (radio button). An Apply button is located at the bottom right of the WAN Settings section.

SIP Settings

Select SIP settings from the main menu. The follow fields such as Server Address, Server Port, Authentication User, Authentication Password and SIP User are required. Then check Enable Registration and click Apply to register your phone to the SIP server.

The screenshot shows the Fanvil C56/C56P web interface. The left sidebar contains a menu with options: BASIC, NETWORK, VOIP (selected), PHONE, FUNCTION KEY, MAINTENANCE, SECURITY, and LOGOUT. The main content area has tabs for SIP (selected), STUN, and DIAL PEER. Under the SIP tab, there is a dropdown menu for SIP Line (SIP 1). Below this is the Basic Settings >> section, which includes: Status (Registered), Server Address (192.168.1.4), Server Port (5060), Authentication User (4121), Authentication Password (****), SIP User (4121), Display Name, Enable Registration (checked), Domain Realm, Proxy Server Address, Proxy Server Port, Proxy User, Proxy Password, Backup Server Address, Backup Server Port, and Server Name. Below the Basic Settings section are sections for Codes Settings >>, Advanced SIP Settings >>, and SIP Global Settings >>. An Apply button is located at the bottom right of the Basic Settings section.

Server Address
Server Port
Authentication User
Authentication Password
SIP user

SIP server address
SIP server port number
Username for logging into the SIP server
Password for logging into the SIP server
SIP phone number

8 Make a Phone Call

IP Address:

- 1.Lift the handset or press the speaker to enter the dialer interface.
2. Dial IP address.

For example: Input #192.168.0.1# in the dialer interface, you will call the device whose IP address is 192.168.0.1.

SIP Number:

Note: You have to register with SIP server to use SIP number.

- 1.Lift the handset or press the speaker to enter the dialer interface.
- 2.Dial SIP number.

For example: Input 1866

- 3.Press "#" button or wait until the timer expires.

