

Datasheet

# USB EDC Vertical 2ME series

- Cost-effective MLC
- Excellent data transfer speed
- Wear-leveling supported
- Low power consumption
- Pin pitch 2.54mm



## Introduction

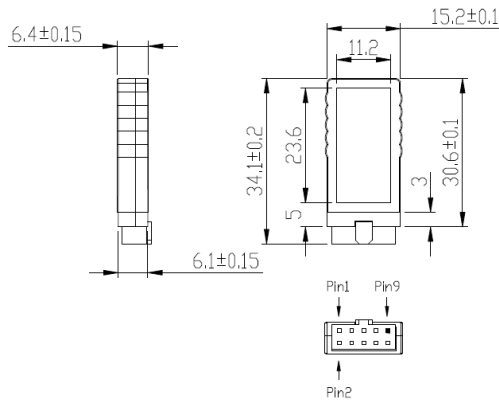
The Innodisk USB EDC (Embedded Disk Card) products provide high capacity USB flash memory storage that electrically complies with High-speed USB 2.0 interface & backward compatible with USB 1.1. The device features attractive small form factor and the connectivity over USB2.0 and the NAND flash architecture provide a faster data transmission.

# USB EDC Vertical 2ME series

## Drawing

Contact us for more information  
about the USB EDC Vertical 2ME

Innodisk is a service-driven provider of industrial embedded flash and DRAM storage products and technologies, with a focus on the cloud computing, industrial/embedded, and aerospace and defense industries.



### Headquarters (Taiwan)

5F., No.237, Sec. 1, Datong Rd.,  
Xizhi Dist., New Taipei City,  
Taiwan (R.O.C.)  
Tel: +886-2-77033000  
Email: sales@innodisk.com

### Branch Offices:

USA  
[usasales@innodisk.com](mailto:usasales@innodisk.com)  
+1-510-770-9421  
Europe  
[eusales@innodisk.com](mailto:eusales@innodisk.com)  
+31-040-282-1818  
Japan  
[jpsales@innodisk.com](mailto:jpsales@innodisk.com)  
+81-45-594-7581  
China  
[sales\\_cn@innodisk.com](mailto:sales_cn@innodisk.com)  
+86-755-21673689  
[www.innodisk.com](http://www.innodisk.com)

© 2015 Innodisk Corporation.  
All right reserved. Specifications  
are subject to change without  
prior notice.

20150212

## Specifications

Interface	USB 2.0
Flash Type	MLC
Connector	Standard, 10pin, 2.54mm
Capacity	4GB~32GB
Max. Channels	1
Sequential R/W (MB/sec, max.)	25 / 17
Max. Power Consumption	0.85 W (5V X 170mA)
H/W Write Protect	-
S.M.A.R.T.	-
Dimension (WxLxH)	15.2 x 34.1 x 6.4 mm
Environment	Vibration: 5G @7~2000Hz Shock: 50G @ 0.5ms Storage Temperature: -55°C ~ +95°C MTBF: 3 million hours

## Ordering Information

Operation Temp.	4GB	8GB	16GB	32GB
Standard Grade (0°C ~ +70°C)	DEUV1-04GI72RC1SC	DEUV1-08GI72RC1SC	DEUV1-16GI72RC1SC	DEUV1-32GI72RC1SC
Industrial Grade (-40°C ~ 85°C)	DEUV1-04GI72RW1SC	DEUV1-08GI72RW1SC	DEUV1-16GI72RW1SC	DEUV1-32GI72RW1SC