

# TQJ-2400AT6

## 2.4GHz Fiberglass Antenna

### Technical Sheet



#### Applications

- 2400 to 2483MHz band
- WLAN System
- All direction coverage

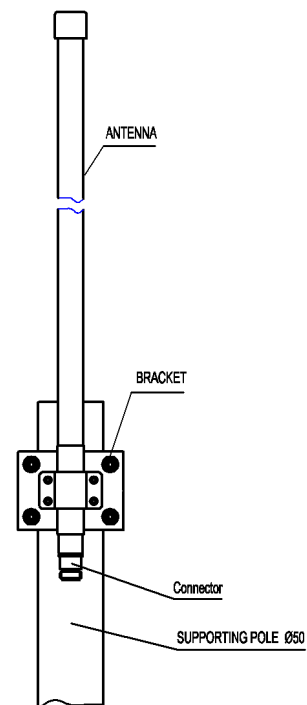
#### Features

- Low VSWR
- Sealed with High Quality Fiberglass, Strong protection ability
- Strong adaptability of environment
- Supplied with steel Mounting Kits

#### Specifications

Model	TQJ-2400AT6
Freq.Range-MHz	2400 to 2483
Bandwidth-MHz	83
Gain-dBi	6
Ver.Beamwidth-°	25
VSWR	≤1.5
Impedance-Ω	50
Polarization	Vertical
Max.Power-W	100
Connector	N Female or N male
Dimension-m	0.4
Weight-kg	0.5
Mast Diameter-mm	φ 40 to 50

#### Installation Sketch



Kenbotong Communication LTD

Addr : Kenbotong Technology Park, No.2 Chanxiu Road, Foshan, Guangdong, China 528061

Tel: +86-757-82219788, 82126632 Fax: +86-757-82212072

Email: kbt@kenbotong.com web: <http://www.kenbotong.com>