

TDJ-5158BKT1

Flat Panel Antenna

Technical Sheet



Applications

- 5.2/5.5/5.8GHz WLAN Systems
- 5.8GHz UNII/GHz ISM Systems
- Support 802.11a,g
- Wireless Access systems
- Backhaul/Client Antenna

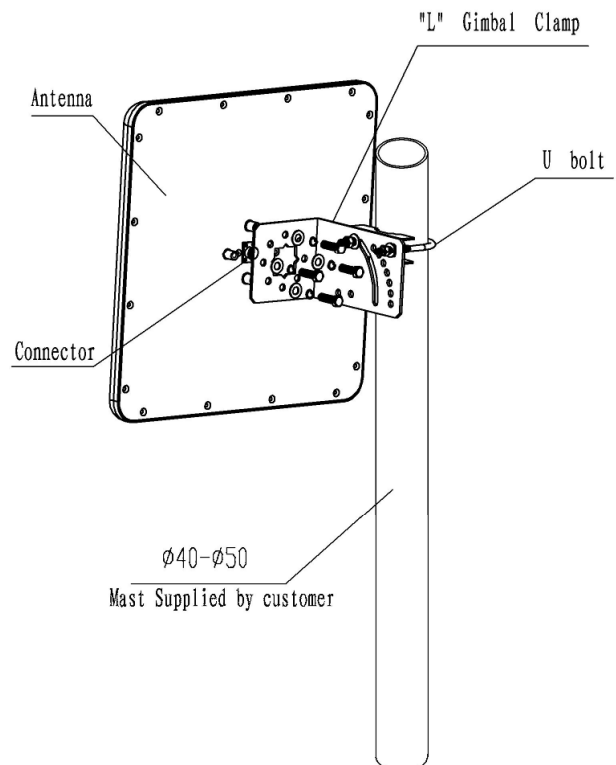
Features

- High gain,Low VSWR
- Superior Performance
- All Weather Operation

Specifications

Model	TDJ-5158BKT1
Freq.Range-MHz	5150~5850
Bandwidth-MHz	700
Gain-dBi	≥23
Beamwidth-°	E:11 H:11
VSWR	≤1.5
Impedance-Ω	50
Polarization	Vertical or Horizontal
Max. Power-W	50
Connector Type	SMA-Female
Dimension-mm	306×306×25
Weight-Kg	1.4(With Bracket)
Pole Diameter-mm	Φ40~50

Install sketch



Kenbotong Communication LTD.

Addr: kenbotong Technology Park,NO.2 Chanxiu Road,Foshan, Guangdong,china 528000

Tel: +86-757-82219788, 82126632 Fax: +86-757-82212072

Email: kbt@kenbotong.com web: <http://www.kenbotong.com>