

TDJ-5800SPL9

Square Grid Parabolic Antenna

Technical Sheet



Applications

- 5.8GHz WLAN system
- 5.8GHz band
- Support IEEE802.11a,g
- Long-distance transmission
- Point to point system
- Wireless bridges

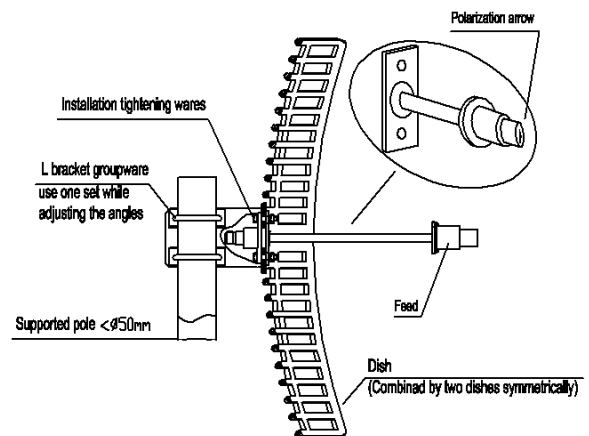
Features

- High gain, Low VSWR
- Aluminum die cast reflector
- Low wind loading
- UV stable coat finish
- Vertical or horizontal polarization
- Supplied with down-tilt & swivel bracket

Specifications

Model	TDJ-5800SPL9
Freq.Range-MHz	5725 to 5850
Bandwidth-MHz	125
Gain-dBi	30
Beamwidth-°	E:6 H:4
F/B Ratio-dB	≥25
VSWR	≤1.5
Impedance-Ω	50
Polarization	Vertical or Horizontal
Max.Power-W	100
Connector	N Female
Dimensions-m	0.6×0.9
Weight-Kg	4.5
Mast Diameter-mm	φ 40 to 50

Installation Sketch



Installation ways:

1. Combine two dishes symmetrically to compose a parabolic groupware.
2. Install the feed to the dish as per the sketch, ensure that the direction of the "polarization arrow" on the feed is the same with the direction of the grid. When the direction of the arrow and the grid are both vertical with the ground, the antenna is in vertical polarization state. When the direction of the arrow and the grid are both horizontal with the ground, the antenna is in horizontal polarization state.
3. Install the L bracket to the dish, then place the antenna to the supported pole as per the sketch.
4. Test the receiving signal by instruments, adjust the azimuth angle and the pitching angle to enlarge the receiving signal. Tighten all the nuts and seal the connector for joining the antenna and the feed.



Kenbotong Communication LTD

Addr : Kenbotong Technology Park, No.2 Chanxiu Road, Foshan, Guangdong, China 528000

Tel: +86-757-82219788, 82126632 Fax: +86-757-82212072

Email: kbt@kenbotong.com web: <http://www.kenbotong.com>