

TQJ-2325A12

Fiberglass Omni Antenna

Technical Sheet

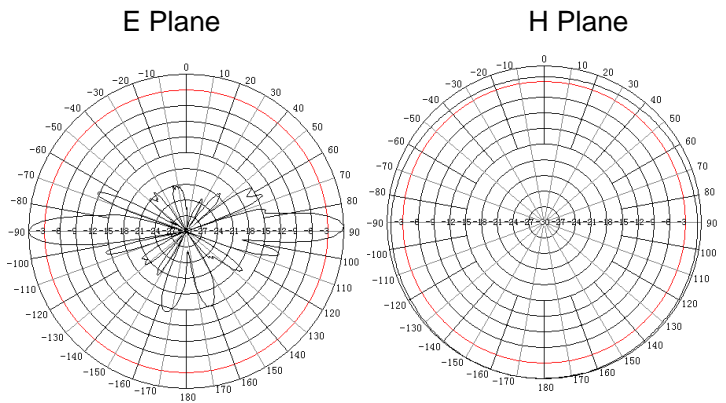


Applications

- 2.3-2.5GHz ISM Band
- 2.4GHz WLAN Base station antenna
- WiFi system
- Point to multipoint system

Features

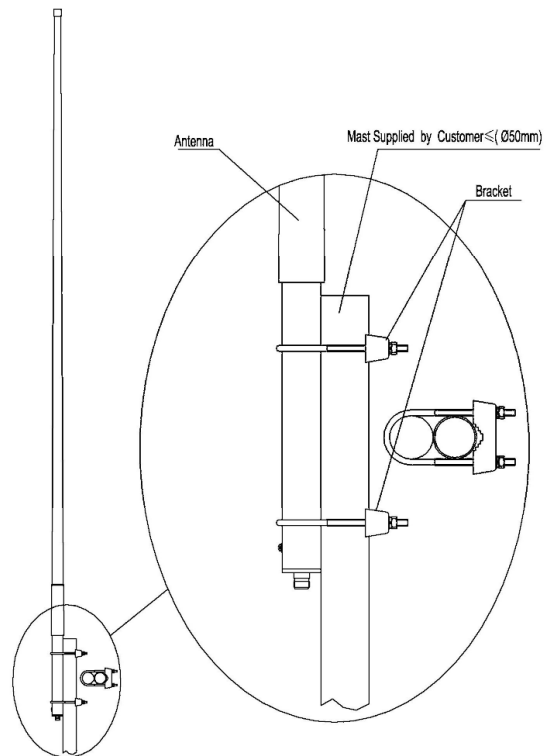
- High Gain,Low VSWR
- High quality fiberglass radome
- Supplied with steel mounting kits
- Mast mounting
- Integral N-Female Connector



Specifications

Model	TQJ-2325A12
Freq.Range-MHz	2300 to 2500
Bandwidth-MHz	200
Gain-dBi	12
Ver.Beamwidth-°	7
VSWR	≤1.5
Impedance-Ω	50
Polarization	Vertical
Max.Power-W	100
Connector	N Female
Length-mm	1100
Mounting way	Mast
Mast Diameter-mm	φ 35 to φ 50
Weight-Kg	0.95
Rated wind velocity-m/s	60

Installation Sketch



Kenbotong Communication LTD.

Addr : Kenbotong Technology Park, No.2 Chanxiu Road, Foshan, Guangdong, China 528061

Tel: +86-757-82219788, 82126632 Fax: +86-757-82212072

Email: kbt@kenbotong.com web: <http://www.kenbotong.com>