

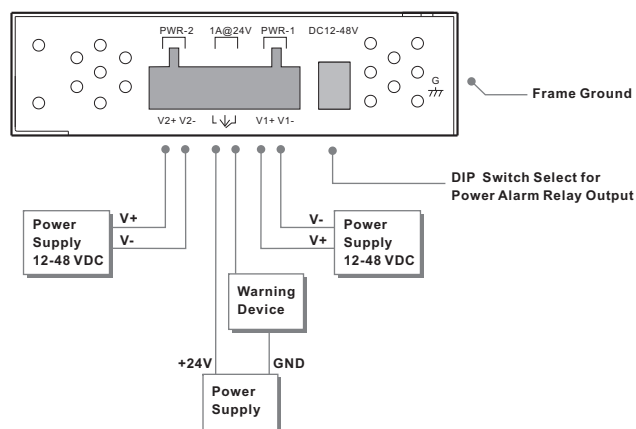
Introduction

IGS-1000 series are industrial unmanaged gigabit Ethernet switches. IGS-1000 series support dual redundant power inputs, rigid IP-30 housing and have DIP switches to enable or disable relay output alarm. In addition, the wide operating temperature range from -40°C to 70°C can satisfy most of operating environment.

Features

- > Dual redundant DC power inputs at terminal block
- > Very wide operating temperature range from -40°C to 70°C
- > Rigid IP-30 slim type housing design
- > DIN-Rail and panel mounting enabled
- > Relay output to carry capacity of 1A at 24 VDC

Power Connection Guide



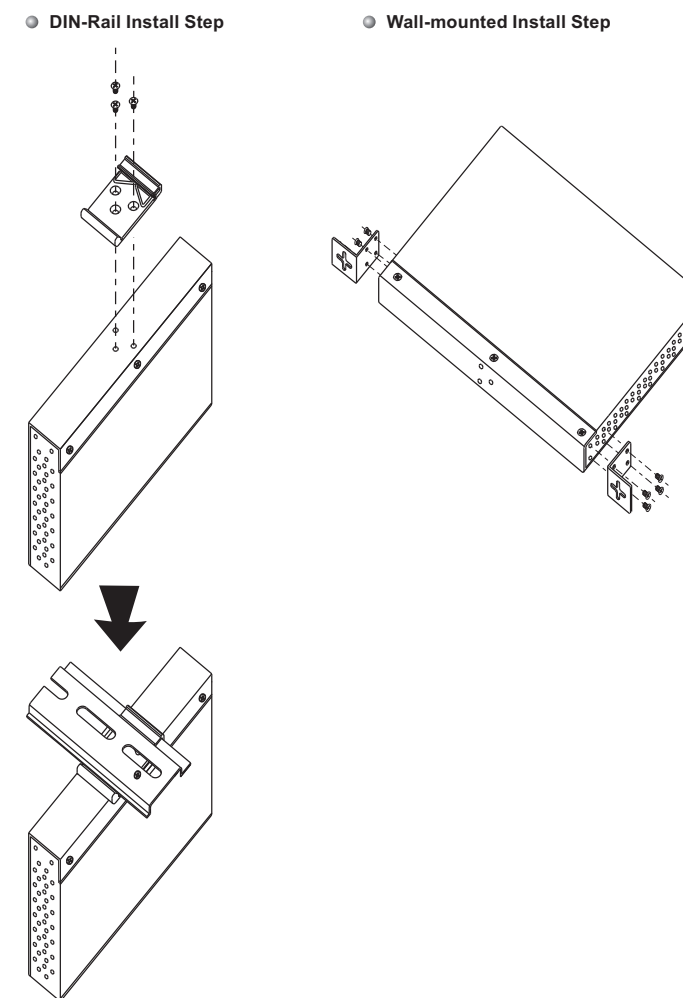
DIP Switch Function

DIP-1	DIP-2	Description
OFF	OFF	Power failure relay alarm disabled
ON	OFF	PWR-1 failure, relay alarm enabled
OFF	ON	PWR-2 failure, relay alarm enabled
ON	ON	PWR-1 or PWR-2 failure, relay alarm enabled

Specifications

ORing Gigabit Switch Model	IGS-1050A	IGS-1041GPA
Physical Ports		
10/100/1000 Base-T(X) Ports in RJ45 Auto MDI/MDIX	5	4
1000Base-X SFP Port	-	1
Technology		
Ethernet Standards	IEEE 802.3 for 10Base-T, IEEE 802.3u for 100Base-TX, IEEE 802.3z for 1000Base-X, IEEE 802.3ab for 1000Base-T, IEEE 802.3x for Flow control	
MAC Table	1024 MAC addresses	
Processing	Store-and-Forward	
LED Indicators		
Power indicator	Green: Power LED x2	
Fault Indicator	Amber: Indicate PWR1 or PWR2 failure	
10/100/1000TX RJ45 Port Indicator	Green: Link/Act Amber: 10/100 Mbps indicator	Green: Link/Act Amber: 100 Mbps indicator
1000X SFP port indicator	-	Green for port Link/Act
Fault Contact		
Relay	Relay output to carry capacity of 1A at 24VDC	
Power		
Redundant Input power	Dual DC inputs. 12-48VDC on 6-pin terminal block.	
Power consumption(Typ.)	5.5 Watts	
Reverse polarity protection	Present	
Overload current protection	Present	
Physical Characteristic		
Enclosure	IP-30	
Dimension (W x D x H)	26.1(W) x 95(D) x 144.3(H) mm (1.30 x 3.74 x 5.68 inch)	
Weight (g)	420g	403g
Environmental		
Storage Temperature	-40 to 85°C (-40 to 185°F)	
Operating Temperature	-40 to 70°C (-40 to 158°F)	
Operating Humidity	5% to 95% Non-condensing	
Regulatory Approvals		
EMI	FCC Part 15, CISPR (EN55022) class A	
EMS	EN61000-4-2 (ESD), EN61000-4-3 (RS), EN61000-4-4 (EFT), EN61000-4-5 (Surge), EN61000-4-6 (CS), EN61000-4-8, EN61000-4-11	
Shock	IEC60068-2-27	
Free Fall	IEC60068-2-32	
Vibration	IEC60068-2-6	
Safety	EN60950	
Warranty	5 years	

Installation



ORing

Copyright© 2014 ORing
All rights reserved.



ORing Industrial Networking Corp.
 TEL: +886-2-2218-1066 Website: www.oring-networking.com
 FAX: +886-2-2218-1014 E-mail: support@oring-networking.com

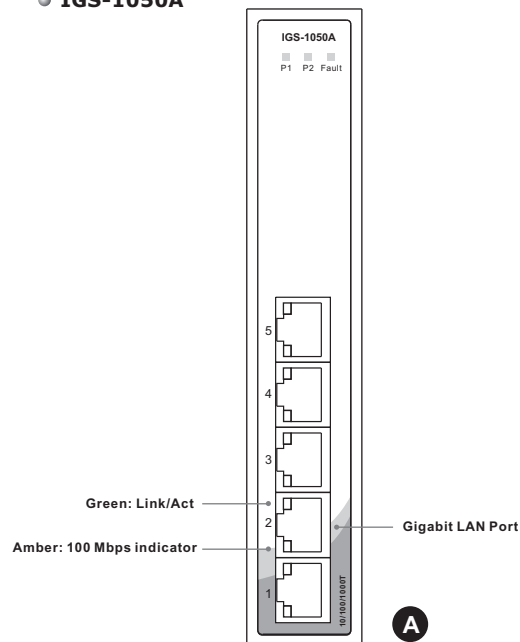
Quick Installation Guide

IGS-1050A/1041GPA

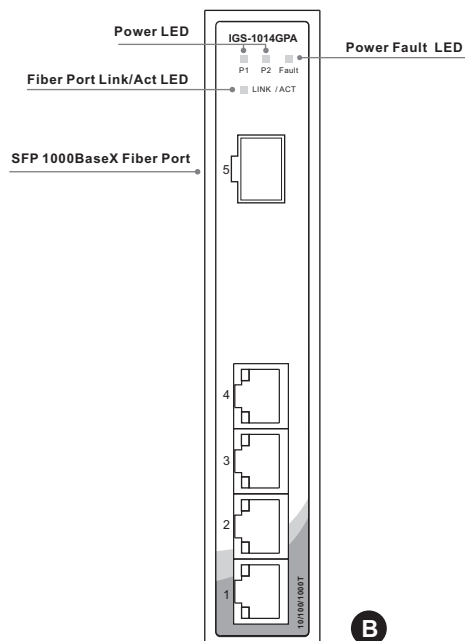
Industrial Unmanaged Gigabit Switch

Front Panel

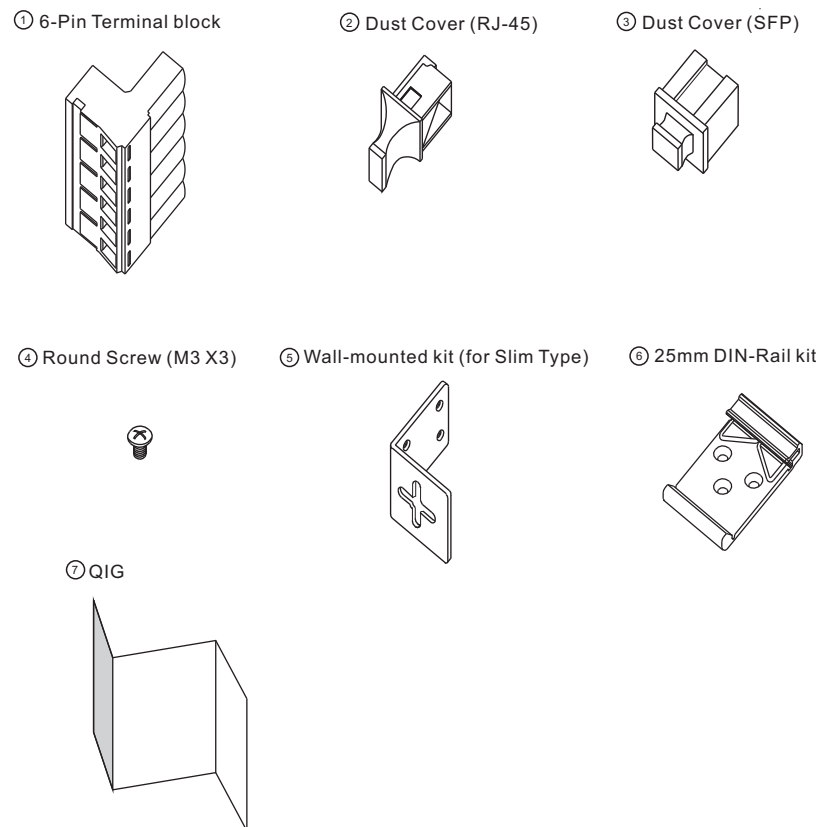
IGS-1050A



IGS-1041GPA



Accessory

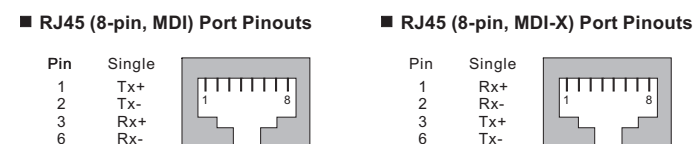


Packing list

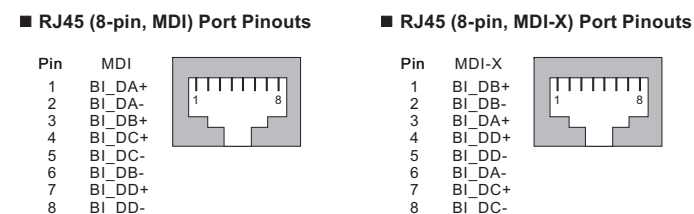
Model name	Front Panel	Model Description	Accessory
IGS-1050A	A	Industrial 5-port Slim type Unmanaged Gigabit Ethernet Switch with 5x10/100/1000T	⊗ X 1, ⊗ X 5, ⊗ X 8, ⊗ X 2, ⊗ X 1, ⊗ X 1
IGS-1041GPA	B	Industrial 5-port Slim type Unmanaged Gigabit Ethernet Switch with 4x10/100/1000T and 1x1000Base-X SFP	⊗ X 1, ⊗ X 4, ⊗ X 1, ⊗ X 8, ⊗ X 2, ⊗ X 1, ⊗ X 1

Communication Connections

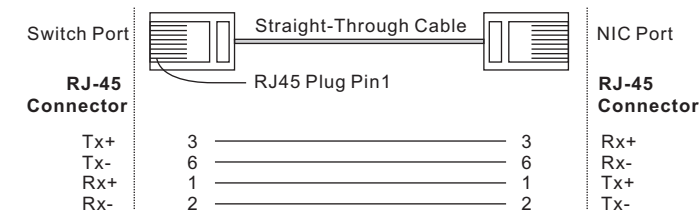
10/100Base-T(X) Ethernet Port Connection



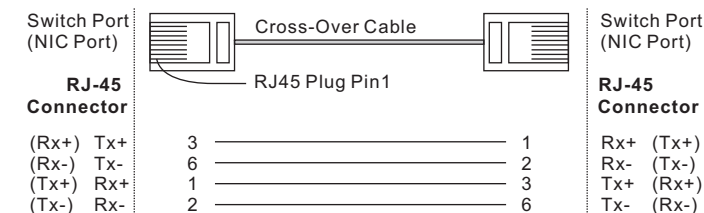
1000Base-T Ethernet Port Connection



RJ45 (8-pin) to RJ45 (8-Pin) Straight-Through Cable Wiring



RJ45 (8-pin) to RJ45 (8-Pin) Cross-Over Cable Wiring



1000Base-X SFP Port Connection

