

# Quick Installation Guide

## IGS-1080A

## Industrial Unmanaged Gigabit Switch

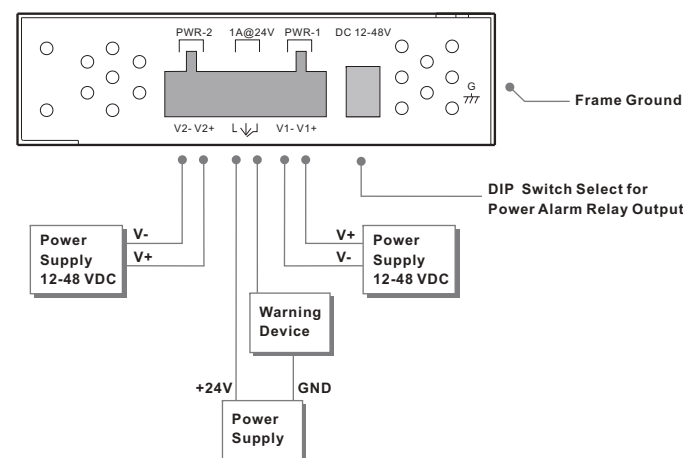
### Introduction

**IGS-1080A** is slim type unmanaged gigabit Ethernet switch with 8 x 10/100/1000Base-T(X) ports. **IGS-1080A** supports redundant power input, rigid IP-30 housing, plus DIP switches for enabling or disabling relay output alarm. In addition, the wide operating temperature range from -40°C to 70°C can satisfy most of operating environment.

### Features

- > Support auto-negotiation and auto-MDI/MDI-X
- > Supports Jumbo Frame up to 9K Bytes
- > Relay output to carry capacity of 1A at 24 VDC
- > Support store and forward transmission
- > Hardware DIP-switch to enable/disable power failure warning function
- > Support flow control
- > Rigid IP-30 housing design
- > DIN-Rail and wall mounting enabled

### Power Connection Guide



● DIP Switch Function

DIP-1	DIP-2	Description
OFF	OFF	Power failure relay alarm disabled
ON	OFF	PWR-1 failure, relay alarm enabled
OFF	ON	PWR-2 failure, relay alarm enabled
ON	ON	PWR-1 or PWR-2 failure, relay alarm enabled

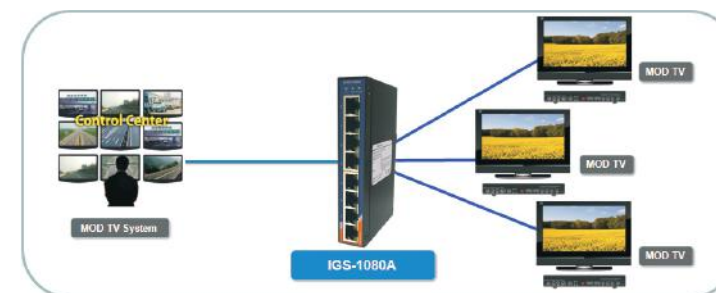
### Specifications

ORing Switch Model	IGS-1080A
<b>Physical Ports</b>	
10/100/1000Base-T(X) Ports in RJ45 Auto MDI/MDIX	8
<b>Technology</b>	
Ethernet Standards	IEEE 802.3 for 10Base-T IEEE 802.3u for 100Base-TX IEEE 802.3ab for 1000Base-T IEEE 802.3x for Flow control
MAC Table	4096 MAC addresses
Processing	Store-and-Forward
<b>LED Indicators</b>	
Power indicator	Green: Power LED x2
Fault indicator	Amber: Indicate PWR1 or PWR2 failure
10/100/1000Base-T(X) RJ45 port indicator	Link/Act: Green for 1Gbps connection, Amber for 10/100Mbps connection. Amber for full duplex indicator
<b>DIP-Switch</b>	
DIP-Switch 1	Power-1 failed warning : (ON) enable, (OFF) disable
DIP-Switch 2	Power-2 failed warning : (ON) enable, (OFF) disable
<b>Fault Contact</b>	
Relay	Relay output to carry capacity of 1A at 24 VDC
<b>Power</b>	
Redundant Input power	Dual DC inputs 12-48 VDC on 6-pin terminal block
Power consumption(Typ.)	5.5 Watts
Overload current protection	Present
Reverse polarity protection	Present
<b>Physical Characteristic</b>	
Enclosure	IP-30
Dimension (W x D x H)	26.1(W)x94.9(D)x144.3(H) mm (1.03x3.74x5.68inch.)
Weight (g)	390 g
<b>Environmental</b>	
Storage Temperature	-40 to 85°C (-40 to 185°F)
Operating Temperature	-40 to 70°C (-40 to 158°F)
Operating Humidity	5% to 95% Non-condensing
<b>Regulatory Approvals</b>	
EMI	FCC Part 15, CISPR (EN55022) class A
EMS	EN61000-4-2 (ESD), EN61000-4-3 (RS), EN61000-4-4 (EFT), EN61000-4-5 (Surge), EN61000-4-6 (CS), EN61000-4-8, EN61000-4-11
Shock	IEC60068-2-27
Free Fall	IEC60068-2-32
Vibration	IEC60068-2-6
Safety	EN60950-1
<b>Warranty</b>	5 years

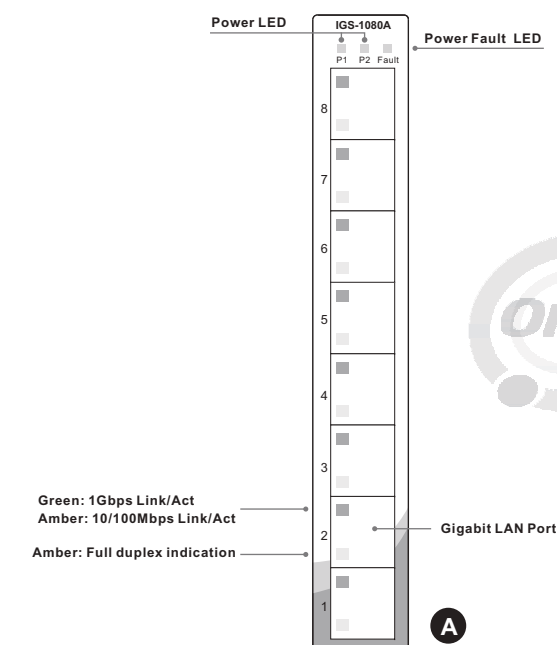
### Practical Operation

IGS-1080A can be used in connecting several Ethernet devices like Ethernet I/O, IP-Camera or other Ethernet switches. In addition, there are two different power inputs at terminal block to avoid interruption caused by power down. When the primary DC power input fails, the backup power input will take over immediately to guarantee a non-stop operation.

● Connections of Ethernet devices



### Practical Operation





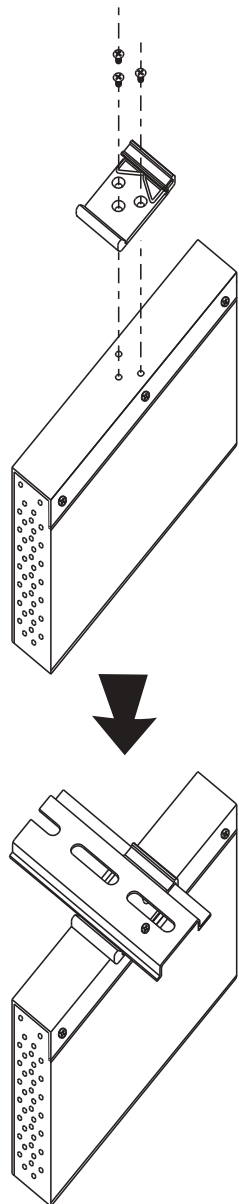
# Quick Installation Guide

## IGS-1080A

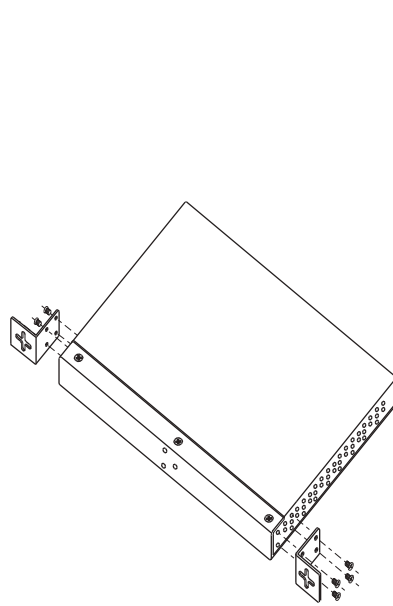
## Industrial Unmanaged Gigabit Switch

### Installation

#### DIN-Rail Install Step

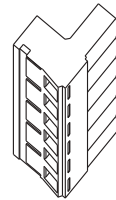


#### Wall-mounted Install Step



### Accessory

#### ① 6-Pin Terminal block



#### ② Dust Cover (RJ-45)



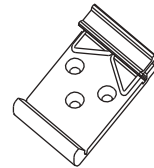
#### ③ Round Screw (M3 X3)



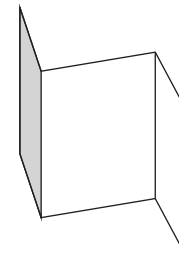
#### ④ Wall-mounted kit (for Slim Type)



#### ⑤ 25mm DIN-Rail kit



#### ⑥ QIG

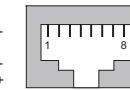


### Communication Connections

#### 1000Base-T Ethernet Connection

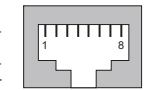
##### RJ45 (8-pin, MDI) Port Pinouts

Pin	MDI
1	BI_DA+
2	BI_DA-
3	BI_DB+
4	BI_DC+
5	BI_DC-
6	BI_DB-
7	BI_DD+
8	BI_DD-



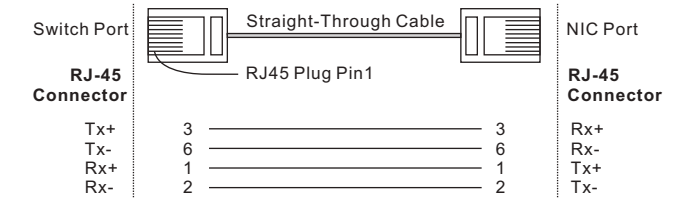
##### RJ45 (8-pin, MDI-X) Port Pinouts

Pin	MDI-X
1	BI_DB+
2	BI_DB-
3	BI_DA+
4	BI_DD+
5	BI_DD-
6	BI_DA-
7	BI_DC+
8	BI_DC-

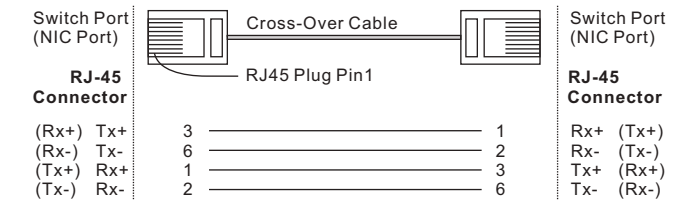


#### 10/100Base-T(X) Ethernet Connection

##### RJ45 (8-pin) to RJ45 (8-Pin) Straight-Through Cable Wiring



##### RJ45 (8-pin) to RJ45 (8-Pin) Cross-Over Cable Wiring



### Packing list

Model name	Front Panel:	Model Description	Accessory
IGS-1080A	A	Industrial 8-port slim type unmanaged Gigabit Ethernet switch with 8x10/100/1000Base-T(X)	⊗X 1, ⊗X 8, ⊗X 8, ⊗X 2, ⊗X 1, ⊗X 1

**ORing Industrial Networking Corp.**

Copyright © 2011 ORing  
All rights reserved.

TEL: +886-2-2918-3036  
FAX: +886-2-2918-3084

Website: www.oring-networking.com  
E-mail: support@oring-networking.com