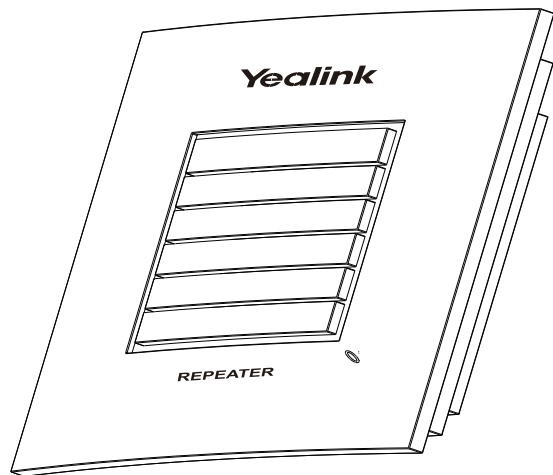


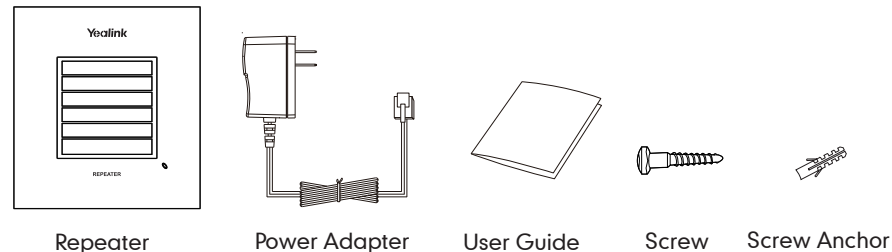
DECT Repeater RT10



User Guide

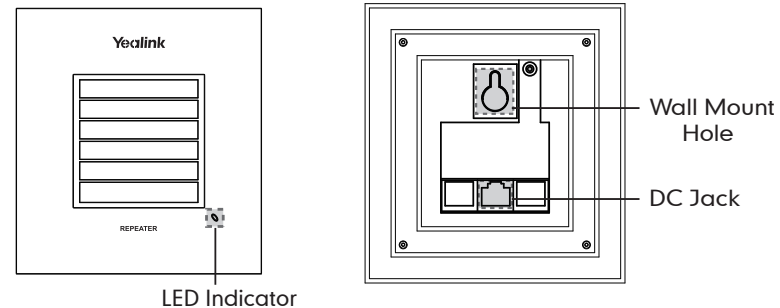
Packaging Contents

The following items are included in your package:



Overview

Appearance Instructions



LED Status

The DECT repeater has one LED indicator describing the repeater operations. The following table provides instructions on repeater operations and LED indications.

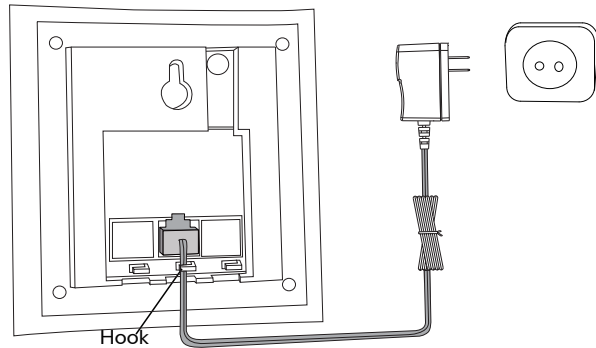
LED	Indication	Operation
	Off	Power off
Red	Slowly flashes	Unregistered, ready for manual registration.
Red	Double flashes	Unregistered, ready for auto registration.

LED	Indication	Operation
Red	Steady on	Registered to base station, ready for use.
Red	Shortly flashes	Attempting handset connection.

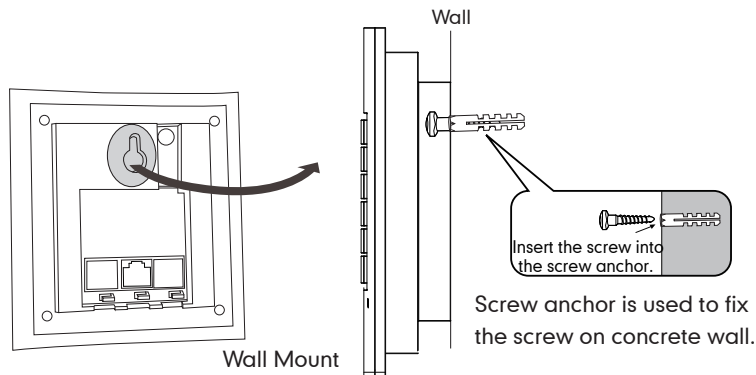
Installation

To connect the power for the repeater:

1. Connect the DC plug on the power adapter to the DC jack on the repeater.
2. Connect the other end of the power adapter to the AC outlet.



To install the repeater using the supplied screw:

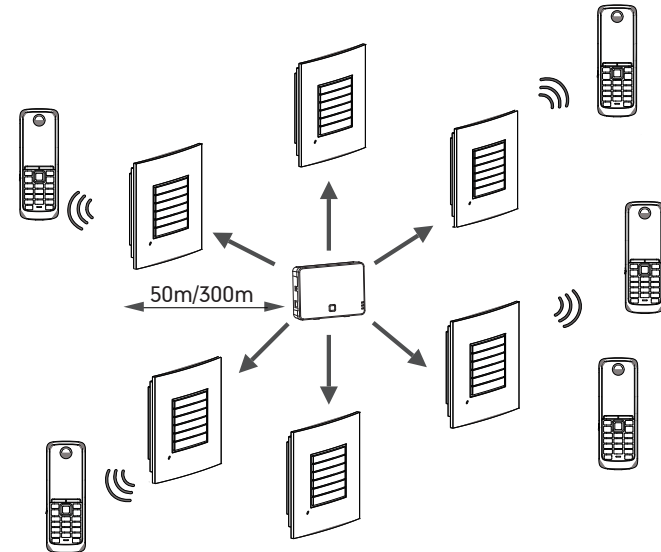


Introduction

Yealink DECT repeater RT10 is designed in accordance with Digital Enhanced Cordless Telecommunication (DECT) standard. It can be deployed to extend the range of the W52P IP DECT phone to cover areas where reception was previously not available. All the usual handset functions are supported by the base station in the extended radio range. The repeater, base station and cordless handset employ wireless connection. Signals are exchanged without acoustical and visual differences.

Multiple Repeaters

Up to 6 repeaters can be registered to one base station to extend available reception range for all registered handsets. All repeaters must be installed within the base station coverage area (up to 300m in unobstructed outdoor areas and up to 50m inside buildings), as shown in the figure below. It is not possible to install the repeaters in series or "daisy-chain".



The maximum number of handsets that can be registered to your base station is not affected by the repeater. The repeater can be used to extend the coverage range in all directions, allowing several floors to be covered. The automatic handover process is seamless.

If the repeater is placed correctly (overlapping the coverage area of the base station), the handsets can move freely within the total coverage area while on a call.

Registering the Repeater

The repeater can be registered to a base station in two ways: Auto Registration and Manual Registration. Before registering the repeater, you need to enable the repeater mode on the handset. For more information on how to enable the repeater mode, refer to **Yealink W52P User Guide**.

Note: Auto Registration cannot be performed if the repeater is already registered to one base station. In this case, de-register the repeater before attempting auto registration. For more information, refer to "De-registration".

Auto Registration

Using the auto registration method, the repeater can be registered to a base station.

To register a repeater automatically:

1. Switch on the repeater and check if the LED indicator on the repeater double flashes. If the LED indicator does not double flash, you need to de-register the repeater first. Please refer to "De-registration". If the LED indicator double flashes, go to step 2.
2. Switch off the repeater (disconnect the power adapter).
3. Set the base station in registration mode. Long press the paging key on the base station till the first LED flashes.
4. Switch on the repeater (connect the power adapter). The LED indicator on the repeater flashes. After a short while, the LED indicator stays on permanently indicating that registration is completed, and the repeater is ready for use. The first LED on the base station flashes after the registration is completed. You can press the paging key to cancel the flash.

Note: If the registration is not successful, the LED indicator will flash continuously. In this case, repeat steps 2-4.

Manual Registration

The repeater, base station and handset must be accessible before performing the registration. If you want to register more than one repeater, the registration must be performed separately for each repeater.

To register a repeater manually:

1. Set the repeater in registration mode. Switch on the repeater for 1-5 seconds and then switch it off. Switch it on once more and leave it there. The LED indicator on the repeater flashes slowly. You now have five minutes to complete the registration. If the registration is not completed within this period, you must start over again.
2. Set the base station in registration mode. Long press the paging key on the base station till the first LED flashes.
3. The LED indicator on the repeater flashes.

If the LED flashes fast without interruptions, go to step 5. If the LED flashes fast with interruptions, go to step 4.

4. Registration of handset.

If the password of the base station has been changed, reset it to "0000". You must re-register the handset even if the handset used was already registered to the base station. Now the LED indicator flashes fast without interruptions.

5. Assign a repeater number.

You must now assign a repeater number to the repeater (choose from 2 to 7, for up to 6 repeaters):

- a) Press #*9 and the off-hook key on the handset. The LED indicator illuminates.
- b) Press a number between 2 and 7. When the repeater has accepted the chosen number, the LED indicator will flash a corresponding number of times.

If you miss the confirmation flash, press the number again.

- c) Accept the registration by pressing the * key, and then press the on-hook key.

The repeater is now automatically restarted: the LED indicator goes off for 2 seconds, flashes for a brief moment and then stays illuminated.

The registration of the repeater is completed. You can now disconnect the power adapter and move the repeater to the selected location (disconnecting the power will not clear the registration).

Note: Each number can be only assigned once when using more than one repeater on a base station. Repeater number and handset number are independent of each other.

De-registration

If you want to register the repeater to another base station using the auto registration method, de-register the repeater beforehand as described below:

1. Switch off the repeater (disconnect the power adapter).
2. Switch it on for 1 to 5 seconds and switch it off again.
3. Switch it on for 25 to 35 seconds and switch it off again.

After a while, the LED indicator on the repeater double flashes, and the repeater is ready for a new auto registration.

Placement

To achieve optimum performance for the repeater, it is important to find a good location.

Here are a few tips for placing repeaters:

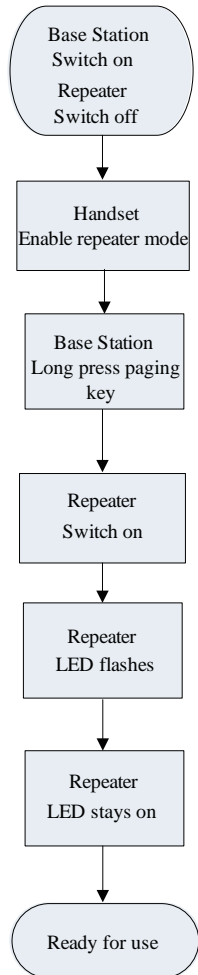
- Choose a raised position for both the base station and repeater wherever possible.
- When positioning the repeater, avoid obstacles that can interfere with radio transmission such as thick wall and metal structures that may be in the coverage area between the base station and repeater.
- Avoid interference from other electrical appliances such as micro-wave ovens, Hi-Fi equipment, computers etc.

- Keep a minimum of 10 meters between multiple repeaters to avoid coverage areas overlapping.

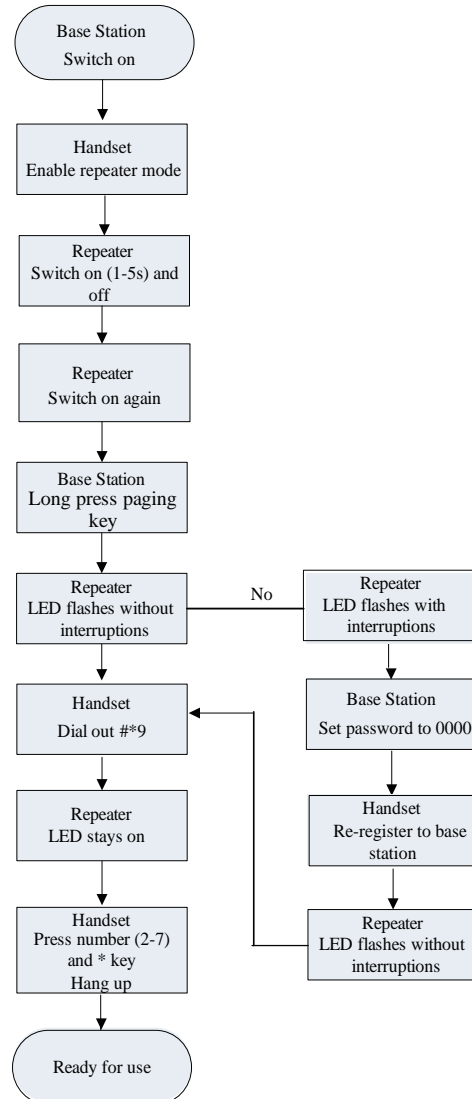
Note: The LED indicator remains on constantly after the repeater has been switched on. If the LED flashes, the repeater is too far away from the base station or reception is hindered by obstacles.

The flow diagrams of these two registration methods are shown below:

Auto Registration



Manual Registration



Verification Tone

To find the best possible location for the repeater, you may need to try various locations. Place a call and walk around with the handset to determine the base station's coverage area. The verification tone allows you to easily check the extent of the repeater's coverage area. The tone is audible on the handset during a call.

To activate the verification tone on the repeater:

1. Switch off the repeater (disconnect the power adapter).
2. Switch it on for 1 to 5 seconds and switch it off again.
3. Switch it on again. The LED indicator on the repeater flashes slowly.
4. Switch it off again.
5. Switch it on again.

The verification tone is then activated.

Place a call using the handset to check whether the handset is working in the extended area of the repeater. If the call is successfully handled by the repeater, you can hear the verification tone from the handset every few seconds.

To deactivate the verification tone, repeat the above steps.