



2 Megapixel - Full HD Resolution

High-resolution Full HD 1080P images ensure that you capture the details that you need

Reliable 24-Hour Surveillance

Infrared LED illuminators provide a clear picture at night for dependable 24-hour surveillance

High-quality video feeds

Real-time video compression using the H.264, MPEG-4, and MJPEG codecs

Features:

- 1/2.7" 2 Megapixel progressive CMOS sensor
- Real-time H.264, MPEG-4, and Motion JPEG compression
- Full HD resolution up to 1920 x 1080
- Fixed lens 4.37 mm F2.0
- Built-in removable IR-cut filter for day/night surveillance
- Built-in IR LED for no-light environments with 0 lux minimum illumination
- Built-in PIR (Passive Infrared) sensor for motion detection
- Simultaneous multi-stream support
- ePTZ
- Supports multiple access lists
- Privacy Mask feature
- Micro SD Card slot
- 2-way audio support
- 1 digital input / 1 digital output
- PoE (DCS-2210 only)
- IEEE 802.11n (DCS-2230 only)
- WPS (DCS-2230 only)
- WEP / WPA / WPA2 wireless security (DCS-2230 only)
- 3GPP mobile surveillance
- Built-in Samba client for NAS
- ONVIF compliant

Full HD Cube Network Camera



24/7 Camera Surveillance

The DCS-2210/2230 Full HD Cube Network Camera is a versatile surveillance solution that is perfect for monitoring low-light environments in your home or small office. It combines a high-resolution 2 Megapixel sensor with a built-in IR LED to help you keep watch over areas in complete darkness. The DCS-2210/2230 also includes a built-in IR cut filter, making it suitable for both day and night applications. Additionally, the DCS-2210/2230 is a complete system with a built-in CPU and web server that transmits high-quality video images for security and surveillance. The DCS-2210 includes support for Power over Ethernet (PoE), so the camera can be placed in areas where no power outlet is nearby. The DCS-2230 features 802.11n wireless, allowing the camera to be placed anywhere within range of your wireless network. The DCS-2210/2230 also offers simple installation, an intuitive web-based interface, and remote monitoring and motion detection features for a complete and cost-effective home security solution.

Wireless N Connectivity (DCS-2230)

The DCS-2230 includes 802.11n wireless for fast and easy integration into your existing network environment. Wireless N allows you to stream high-quality video to remote sites and mobile devices. A Site Survey feature also allows you to view and connect to nearby wireless networks with ease. The DCS-2210/2230 also includes a standard Ethernet port for connections to traditional wired networks.

ePTZ For Surveying Regions Of Interest

The ePTZ feature allows users to select a target region for close-up viewing simply by clicking on the video feed displayed within their browser. ePTZ makes use of the camera's 2 megapixel resolution to survey a large area effortlessly. Since ePTZ requires no moving parts, there is no need to worry about the camera having mechanical failures.

Easy To Configure And Operate

This network camera supports the Universal Plug-n-Play feature, which allows computers running on Windows XP/Vista/7 to automatically recognize the camera and add it to the network. Sign up with one of the free Dynamic DNS services available on the web to assign a name and domain to the camera (e.g. mycamera.dlinkddns.com), and remotely access the camera without having to remember your IP address. You may also view up to 32 cameras from a central location using the included D-ViewCam software. D-ViewCam has a robust set of features including automated e-mail alerts which can instantly inform administrators of suspicious or unusual activities.





Full HD Cube Network Camera

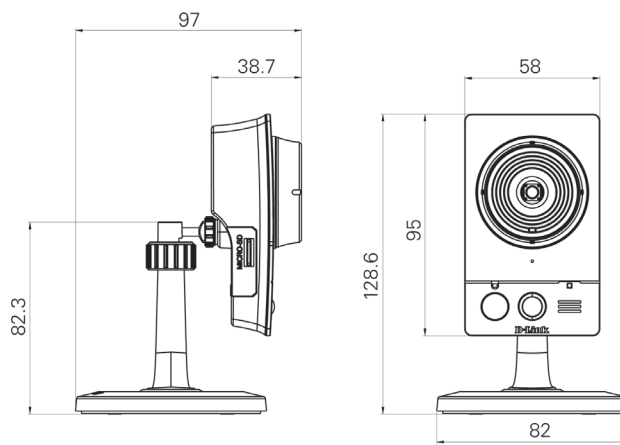
Technical Specifications

Camera	Camera Hardware Profile	<ul style="list-style-type: none"> 1/2.7" 2 Megapixel progressive CMOS sensor IR Illumination distance: 5 m Minimum illumination: 0 lux with IR illumination Built-in Infrared-Cut Removable (ICR) filter module Built-in PIR (Passive Infrared) sensor Built-in microphone and speaker 	<ul style="list-style-type: none"> 10x digital zoom Fixed length: 4.37 mm Aperture: F2.0 Angle of view: <ul style="list-style-type: none"> (H) 67.4° (V) 40.8° (D) 75° 	
	Image Features	<ul style="list-style-type: none"> Configurable image size, quality, frame rate, and bit rate Time stamp and text overlays Configurable motion detection windows 	<ul style="list-style-type: none"> 3 configurable privacy mask zones Configurable shutter speed, brightness, saturation, contrast, and sharpness 	
	Video Compression	<ul style="list-style-type: none"> Simultaneous H.264/MPEG-4/MJPEG format compression 	<ul style="list-style-type: none"> JPEG for still images 	
	Video Resolution	16:9 - 1920 x 1080 (up to 15 fps), 1280 x 720, 800 x 450, 640 x 360, 480 x 270, 320 x 176, 176 x 144 up to 30 fps 4:3 - 1440 x 1080 (up to 15 fps), 1280 x 960, 1024 x 768, 800 x 600, 640 x 480, 320 x 240, 176 x 144 up to 30 fps		
	Audio Support	G.726		
	Device Interfaces	<ul style="list-style-type: none"> 10/100 BASE-TX Ethernet port (with PoE for DCS-2210 only) 802.11n wireless (DCS-2230 only) 	<ul style="list-style-type: none"> 1 DI / 1 DO MicroSD card slot 	
Network	Network Protocols	IPv4, TCP/IP, UDP, ICMP, DHCP Client, NTP Client (D-Link), DNS Client, DDNS Client (D-Link), SMTP Client, FTP Client, HTTP / HTTPS, Samba Client, PPPoE, UPnP Port Forwarding, RTP / RTSP / RTCP, IP filtering, 3GPP, IGMP, ONVIF Compliant		
	Security	<ul style="list-style-type: none"> Administrator and user group protection 	<ul style="list-style-type: none"> Password authentication 	
System Management	System Requirements for Web Interface	<ul style="list-style-type: none"> Operating System: Microsoft Windows 7/Vista/XP/2000 Browser: Internet Explorer, Firefox, Netscape, Opera 		
	Event Management	<ul style="list-style-type: none"> Motion detection PIR motion detection Event notification and upload snapshots/video clips via HTTP, SMTP, or FTP 	<ul style="list-style-type: none"> Supports multiple HTTP, SMTP, and FTP servers Multiple event notifications Multiple recording methods for easy backup 	
	Remote Management	<ul style="list-style-type: none"> Configuration accessible via web browser Take snapshots/video clips and save to local hard drive or NAS via web browser 		
	Mobile Support	Windows 7/Vista/XP system, Pocket PC, or mobile phone with 3GPP playback support		
	D-ViewCam™ System Requirements	<ul style="list-style-type: none"> Operating System: Microsoft Windows 7/Vista/XP Web Browser: Internet Explorer 6 or higher 	<ul style="list-style-type: none"> Protocol: Standard TCP/IP 	
	D-ViewCam™ Software Functions	<ul style="list-style-type: none"> Remote management/control of up to 32 cameras Viewing of up to 32 cameras on one screen 	<ul style="list-style-type: none"> Supports all management functions provided in web interface Scheduled motion triggered, or manual recording options 	
General	Power Input	5 V DC 1.2 A, 50/60 Hz, PoE (DCS-2210 only)		
	Max. Power Consumption	DCS-2210: 3.5 watts DCS-2230: 4.0 watts		
	Operating Temperature	0 to 40 °C (32 to 104 °F)		
	Storage Temperature	-20 to 70 °C (-4 to 158 °F)		
	Humidity	20% to 80% non-condensing		
	Weight	DCS-2210: 80 g DCS-2230: 75 g		
	Certifications	CE, CE LVD, FCC (Class B), C-Tick		



Full HD Cube Network Camera

Dimensions



D-Link Corporation
No. 289 Xinhua 3rd Road, Neihu, Taipei 114, Taiwan
Specifications are subject to change without notice.
D-Link is a registered trademark of D-Link Corporation and its overseas subsidiaries.
All other trademarks belong to their respective owners.
©2011 D-Link Corporation. All rights reserved.
Release 02 (November 2011)