

USER MANUAL

DCS-6511

VERSION 1.0



D-Link[®]

SURVEILLANCE

Table of Contents

Product Overview	4	Image Setup	38
Package Contents	4	Audio and Video	40
Installation	5	Lens Control	42
Hardware Overview	5	Motion Detection.....	43
Camera Enclosure Disassembly and SD Card Installation	6	Time and Date	44
Hardware Reset.....	7	Event Setup	45
Preparing for Installation.....	8	Application	46
Adjusting the Viewing Angle	11	Add Server.....	47
Standard Mounting Instructions.....	12	Add Media.....	48
Style 1 - Concealed Cable Installation.....	12	SD Card	53
Style 2 - Exposed Cable Installation	14	Advanced.....	54
Pendant Mount (DCS-34-2).....	16	Digital Input/Output	54
Bent Mount (DCS-34-3).....	18	ICR and IR.....	55
Network and Power Connections	20	HTTPS	56
Configuration	21	Access List.....	57
Configuration with Wizard.....	21	Maintenance	58
Web-based Configuration Utility	26	Device Management.....	58
Live Video	28	Backup and Restore	59
Setup	30	Firmware Upgrade	60
Wizard.....	30	Status	61
Internet Connection Setup Wizard.....	30	Device Info.....	61
Motion Detection Setup Wizard	33	Logs	62
Network Setup	35	Help	63
Dynamic DNS	37	Appendix	64
		DI/DO Schematics	64
		Technical Specifications	65

Preface

D-Link reserves the right to revise this publication and to make changes in the contents hereof without obligation to notify any person or organization of such revisions or changes.

Manual Revisions

Revision	Date	Description
1.0	September 30, 2010	DCS-6511 Revision A1 with firmware version 1.00

Trademarks

D-Link and the D-Link logo are trademarks or registered trademarks of D-Link Corporation or its subsidiaries in the United States or other countries. All other company or product names mentioned herein are trademarks or registered trademarks of their respective companies.

Copyright © 2010 by D-Link Systems, Inc.

All rights reserved. This publication may not be reproduced, in whole or in part, without prior expressed written permission from D-Link Systems, Inc.

Package Contents



**DCS-6511
Network Camera**



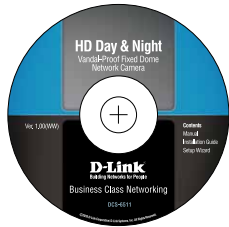
Power Adapter



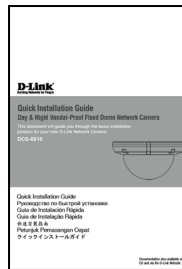
Security Wrench



**A/V & Power
Cables**



**Manual and Wizard
on CD-ROM**



**Quick Installation
Guide**



**CAT-5 Ethernet
Cable**



Extension Adapter



Cable Cover



**Mounting Bracket
and Screws**



Rubber Plug

If any of the above items are missing, please contact your reseller.

Hardware Overview

Infrared LEDs

Used to illuminate the camera's field of view at night



Camera Lens

Motorized varifocal autofocus lens

Camera Enclosure Disassembly and SD Card Installation

Disassemble the Camera

Open the camera enclosure by removing the 3 standard screws using a screwdriver. Remove the 4th screw using the provided security wrench.

Lift the dome off of the base of the camera.

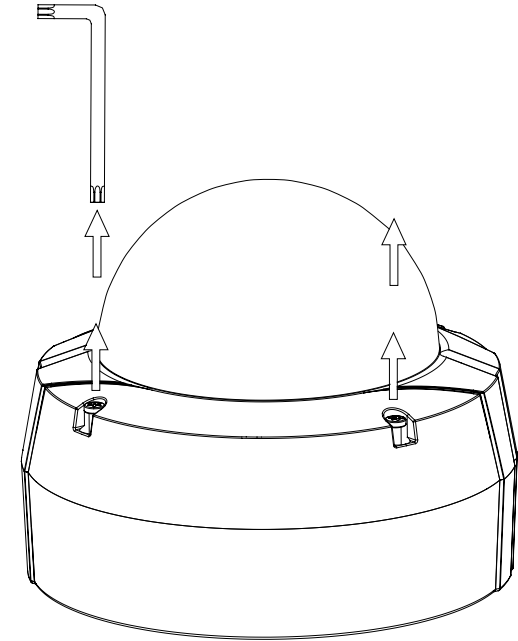


Figure A.

Install the SD Card

Push the SD card into the camera with the gold contacts oriented towards the base of the camera. To eject the SD card, push the SD card into the slot.

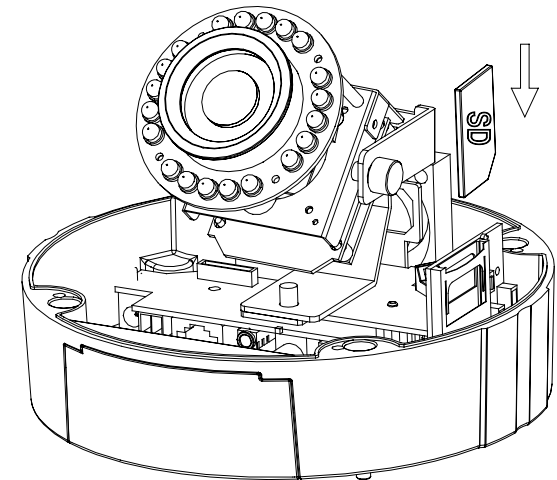


Figure B.

Hardware Reset

Resetting the Camera

If the camera is malfunctioning, you may use the hardware reset button located on the underside of the camera apparatus to reset the camera to factory default settings. Press and hold the reset button for approximately 10 seconds to reset the camera.

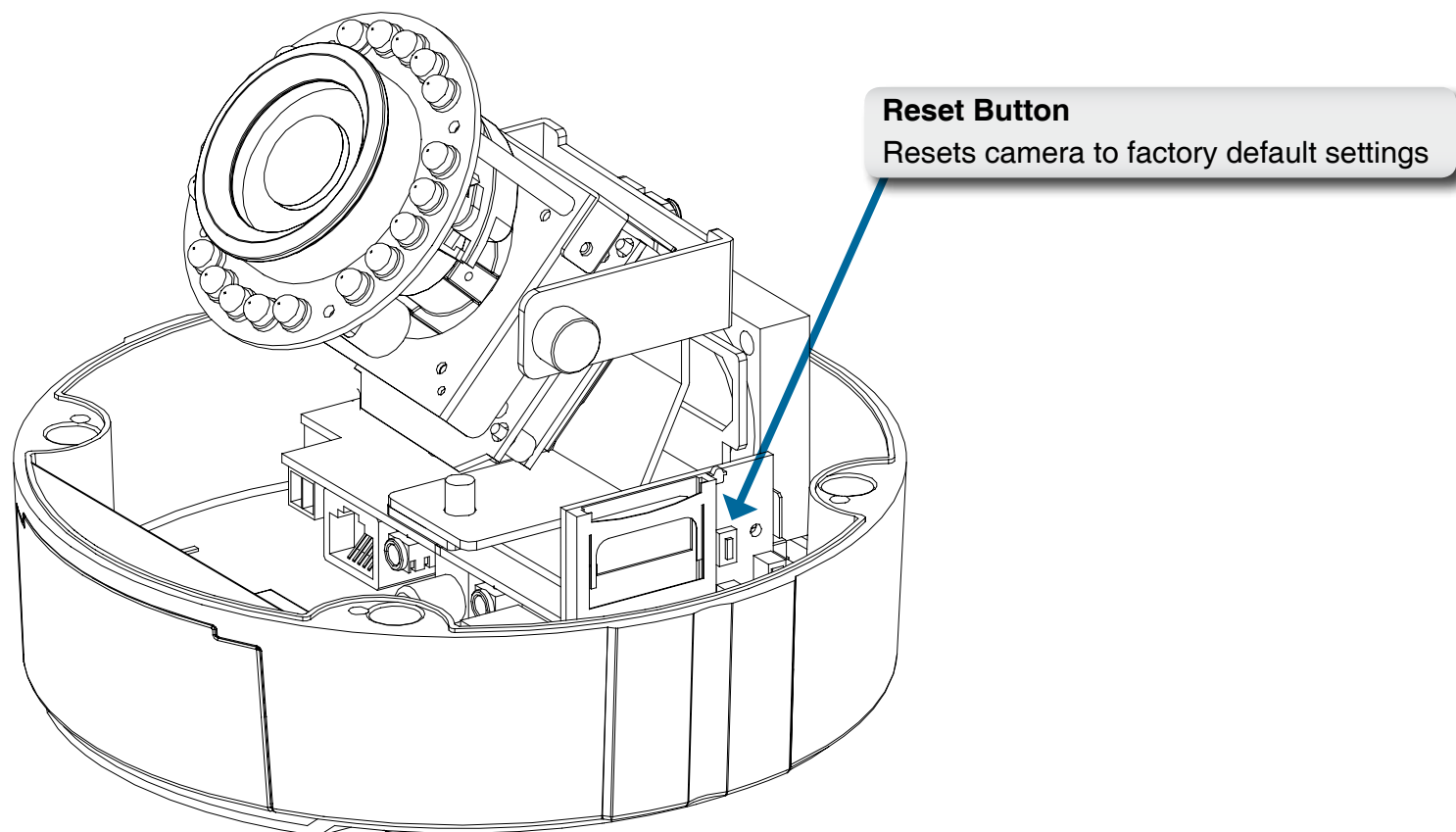


Figure C.

Preparing for Installation

A. Depending on how you choose to mount the camera, you may need to change the orientation of the cable. For instance, when using the Surface Mounting Bracket, the cables may need to exit through the side of the camera base rather than the top.

Changing Cable Orientation:

1. Disassemble the camera enclosure. (See Figure A. on page 6.)
2. Loosen, but do not remove, the two screws that secure the camera bracket to the base of the enclosure using a screwdriver. (Figure 1.1)
3. Slide the camera bracket towards the front of the camera base. (Figure 1.2)

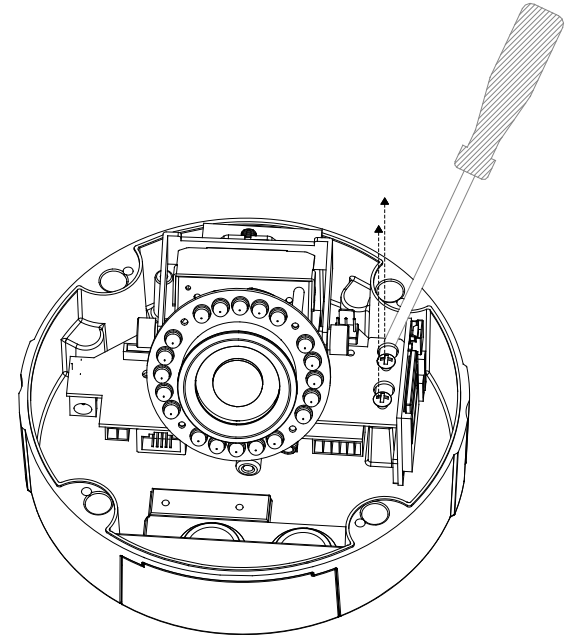


Figure 1.1

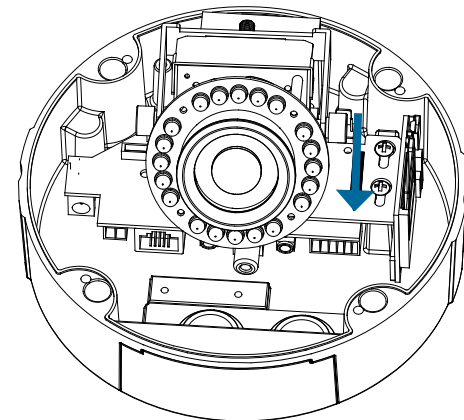


Figure 1.2

4. Lift the camera bracket up and off from the camera base. (Figure 1.3)
5. Disconnect the cables from the connectors at the base of the camera.
6. Place the cable into the new hole and reconnect the cables to the cable connectors at the base of the camera. (Figure 1.4)
7. Replace the chrome plug and tighten it into place.
8. Replace the chrome nut and tighten it into place

B. Replace the dome enclosure over the IP camera and tighten the 4 screws.

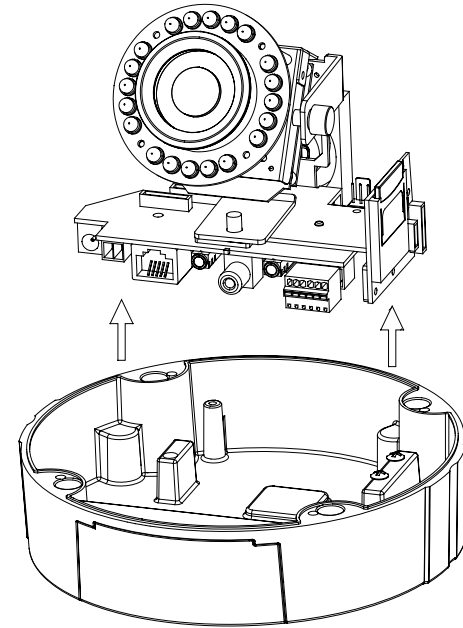


Figure 1.3

Safety Notice:

Installation and servicing should be done by certified technicians so as to conform to all local codes and prevent voiding your warranty.

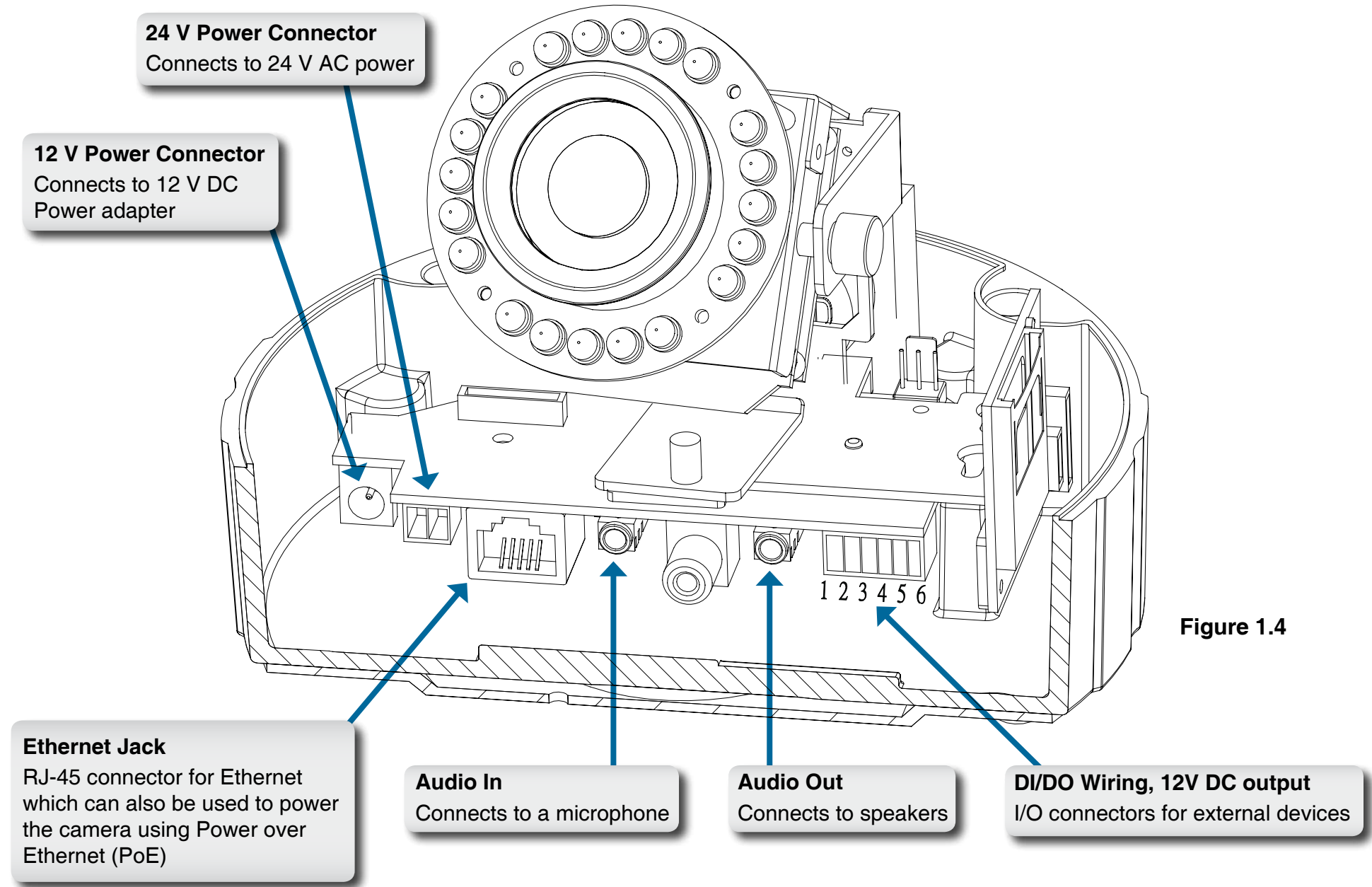
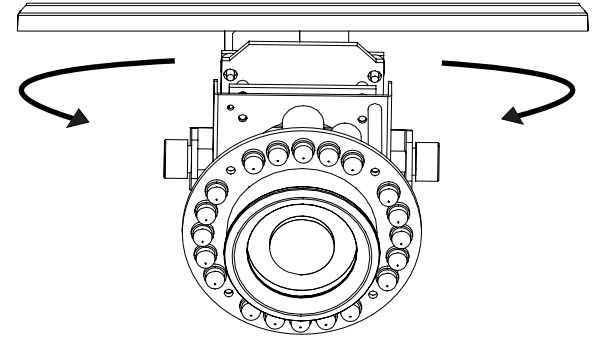


Figure 1.4

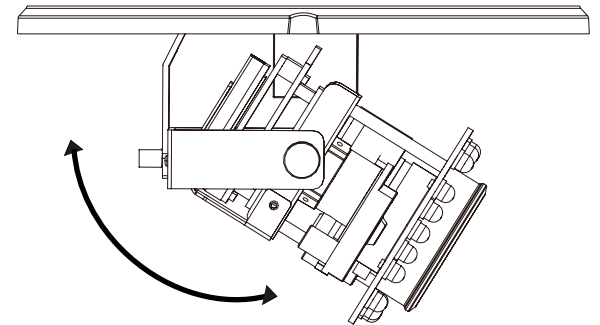
Adjusting the Viewing Angle

Adjust the Viewing Angle of the 3-Axis Mechanism

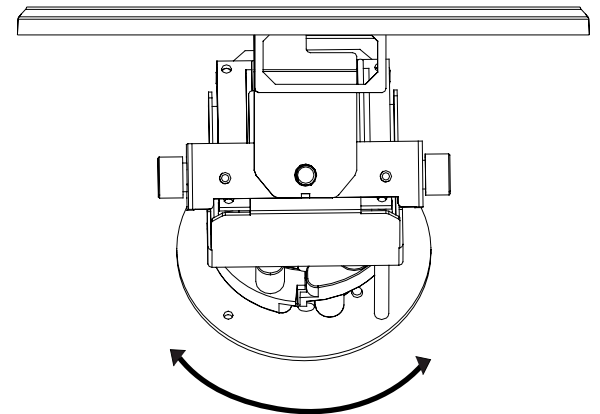
Turn the lens module left and right until the desired position is achieved; tighten the pan screw once completed.



Loosen the tilt screws on both sides of the camera, and turn the lens module up and down until the desired position is achieved; tighten the tilt screws once completed.



Turn the lens to adjust the IP camera's image until the desired orientation is achieved. Tighten the image adjustment screw once completed.



Standard Mounting Instructions

Style 1 - Concealed Cable Installation

1. Disassemble the camera enclosure (see page 6).
2. Thread the cables through the waterproof plugs at the bottom of the base of the camera. Attach the cables to the corresponding cable connectors. (Figure 2.1)
3. Locate a suitable position on the ceiling for the mounting plate to be installed.
4. Use the mounting template to mark the holes for installation.
5. Cut an access hole in the ceiling for the cables.
6. Drill four separate 6 mm holes corresponding to the holes in the mounting template and insert the plastic anchors into these holes.
7. Attach the surface bracket to the ceiling using the screws provided.

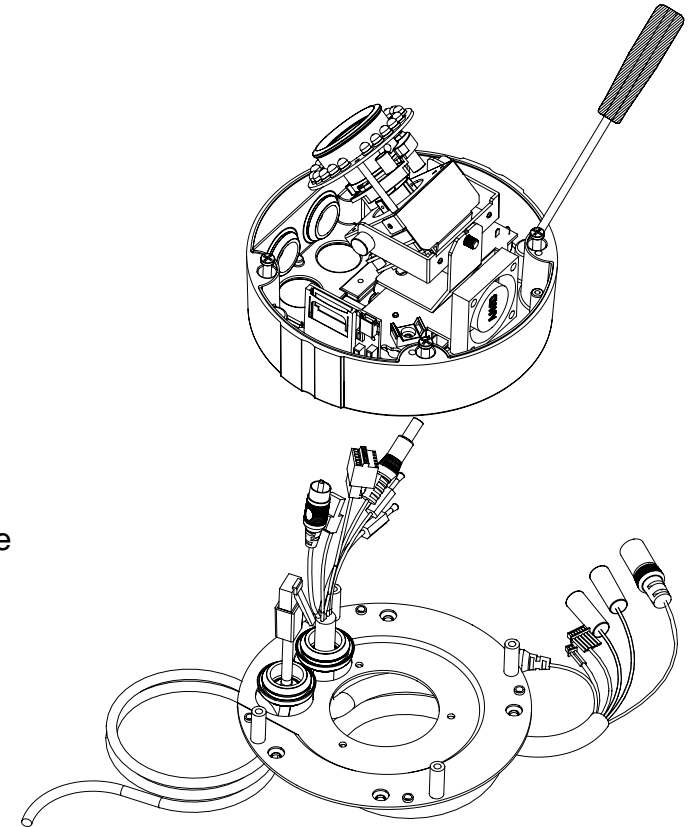


Figure 2.1

8. Connect the Ethernet cable and the power cable, threading them through the hole in the ceiling. (Figure 2.2)
9. Push the dome body up over the base of the camera.
10. Attach the dome to the base of the camera using the 3 long screws and the provided security screw.

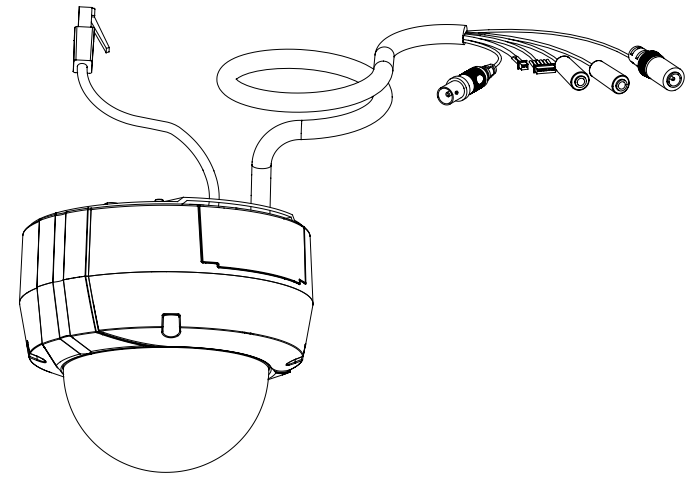


Figure 2.2

Style 2 - Exposed Cable Installation

1. Disassemble the camera enclosure (see page 6).
2. Remove the small screw to release the faceplate on the side of the base of the camera. (Figure 2.3)
3. Thread the cables through the waterproof plugs on the side of the base of the camera. Attach the cables to the corresponding cable connectors. (See page 10.)
4. Attach the dual-holed plate to the base of the camera. (Figure 2.4)

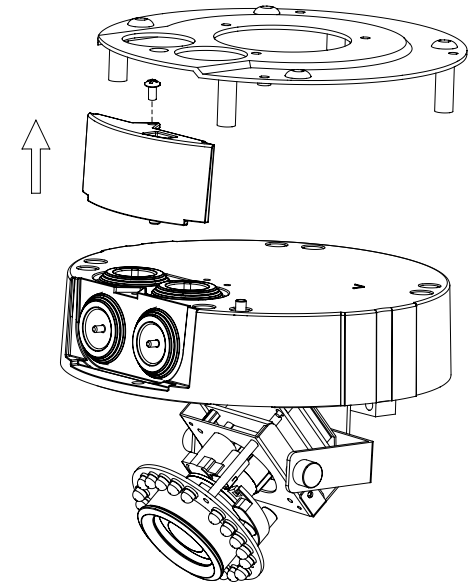


Figure 2.3

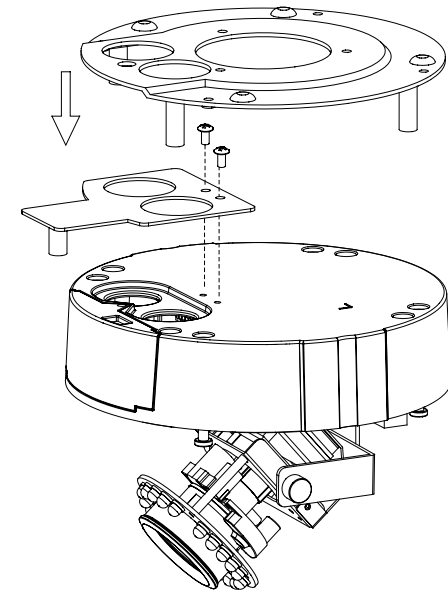
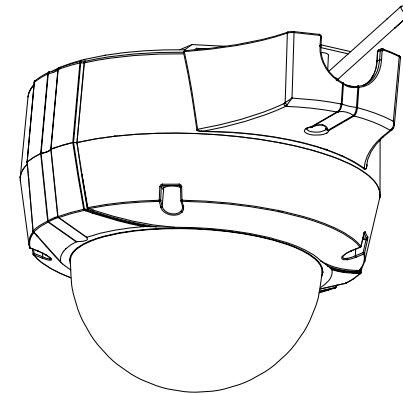
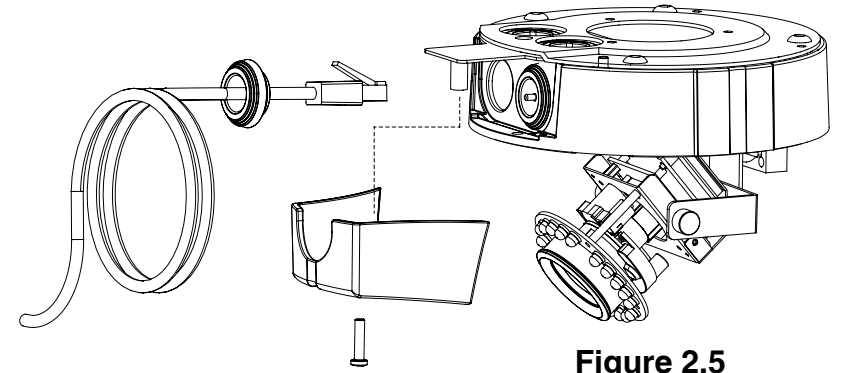


Figure 2.4

5. Place the plastic cable cover onto the dual-holed plate and attach it using the screw. (Figure 2.5)
6. Locate a suitable position on the ceiling for the mounting plate to be installed.
7. Use the mounting template to mark the holes for installation.
8. Drill 4 separate 6 mm holes corresponding to the holes in the mounting template and insert the plastic anchors into these holes.
9. Attach the surface bracket to the ceiling using the screws provided.
10. Place the dome body onto the base of the camera. (Figure 2.6)
11. Attach the dome to the base of the camera using the 3 long screws and the provided security screw.



Pendant Mount (DCS-34-2)

1. Attach the mounting plate to the bracket cap using the three screws as shown in Figure 3.1.
2. Locate a suitable position on the ceiling for a 34 mm (+2 / -0 mm) hole to be cut. A template is included to aid in marking the mounting hole.
3. Cut the hole in the ceiling according to the template.
4. Drill 4 separate 6 mm holes corresponding to the holes in the mounting template and insert the plastic anchors into these holes.
5. Place the rubber seal between the pendant bracket and the ceiling to ensure a waterproof seal between the ceiling and the bracket. (Figure 3.2)
6. Attach the pendant bracket to the ceiling using the screws provided.
7. Attach the bracket cap to the bottom of the pendant bracket, rotating the cap counter-clockwise to tighten it into place.
8. Insert the screw into the base of the pendant bracket at the top of the bracket cap to secure the bracket cap into place.

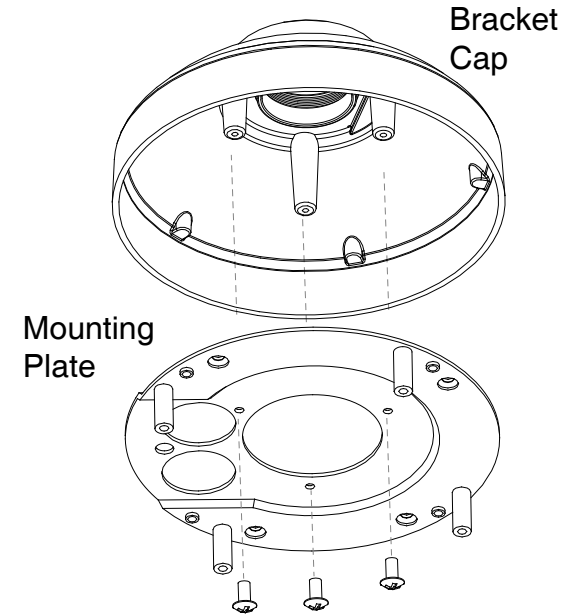


Figure 3.1

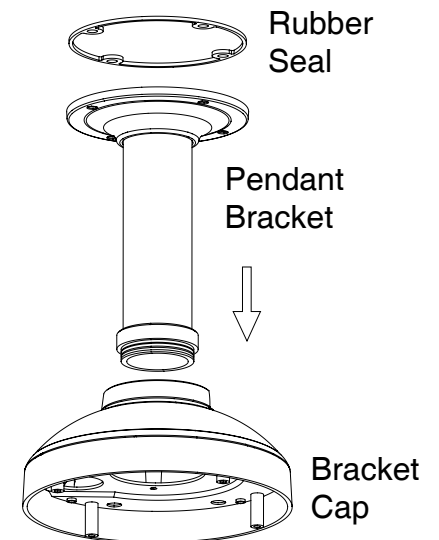


Figure 3.2

9. Connect the Ethernet cable and the power cable and thread them through the pendant bracket.
10. Place the dome body onto the base of the camera. (Figure 3.3)
11. Attach the dome to the base of the camera using the 3 long screws and the provided security screw.

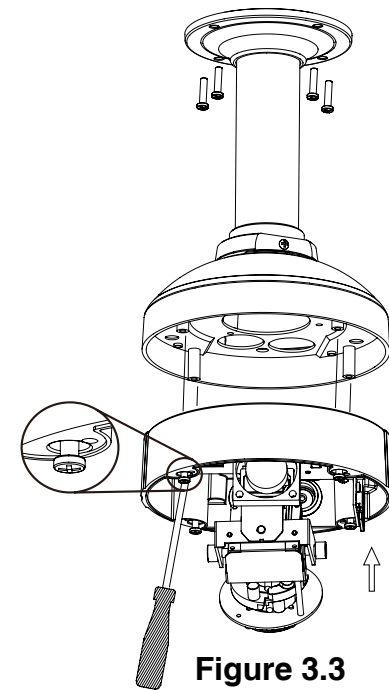


Figure 3.3

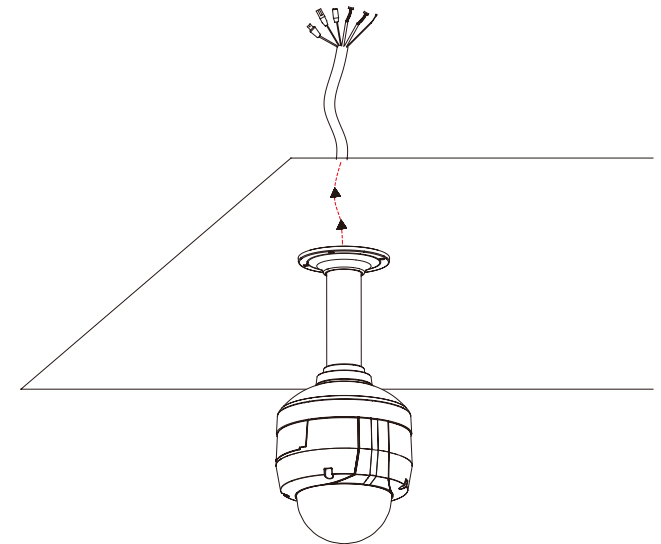


Figure 3.4

Bent Mount (DCS-34-3)

1. Attach the mounting plate to the bracket cap using the three screws as shown in Figure 4.1.
2. Locate a suitable position on the ceiling for a 34 mm (+2 / -0 mm) hole to be cut. A template is included to aid in marking the mounting hole.
3. Cut the hole in the ceiling according to the template
4. Drill 4 separate 6 mm holes corresponding to the holes in the mounting template and insert the plastic anchors into these holes.
5. Place the rubber seal between the bent bracket and the ceiling to ensure a waterproof seal between the ceiling and the bracket. (Figure 4.2)
6. Attach the pendant bracket to the ceiling using the screws provided.
7. Attach the bracket cap to the bottom of the bent bracket, rotating the cap counter-clockwise to tighten it into place.
8. Insert the screw into the base of the bent bracket at the top of the bracket cap to secure the bracket cap into place.
9. Connect the Ethernet cable and the power cable and thread them through the pendant bracket.

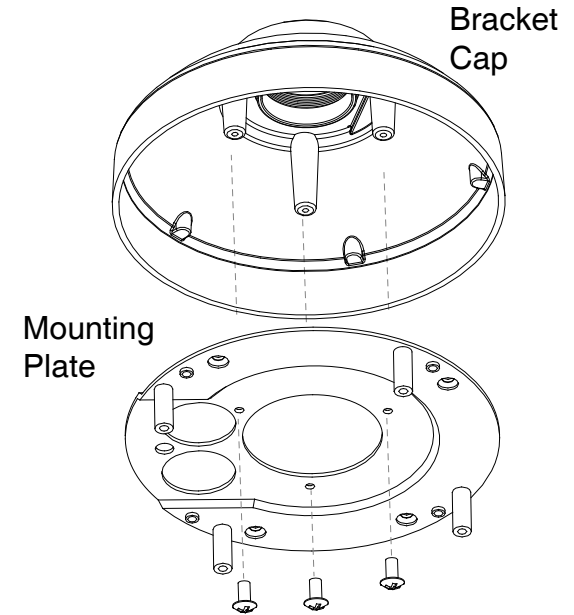


Figure 4.1

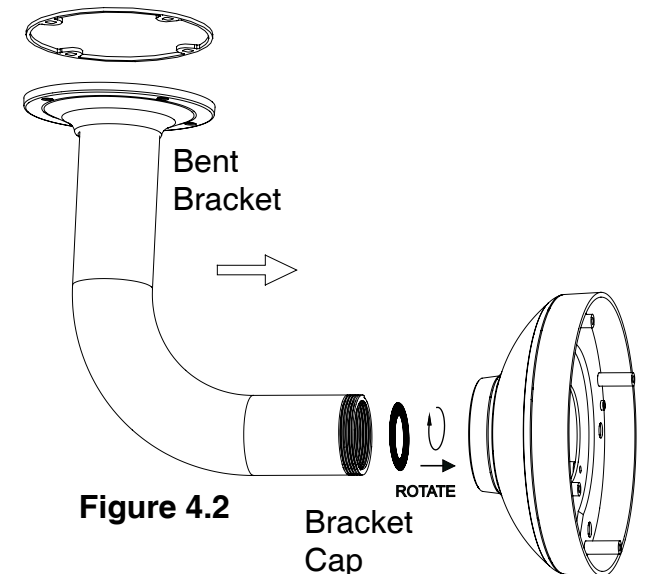


Figure 4.2

10. Place the dome body onto the base of the camera. (Figure 4.3)
11. Attach the dome to the base of the camera using the 3 long screws and the provided security screw.

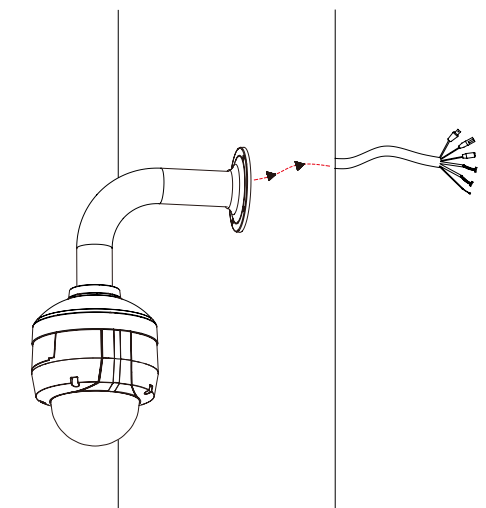
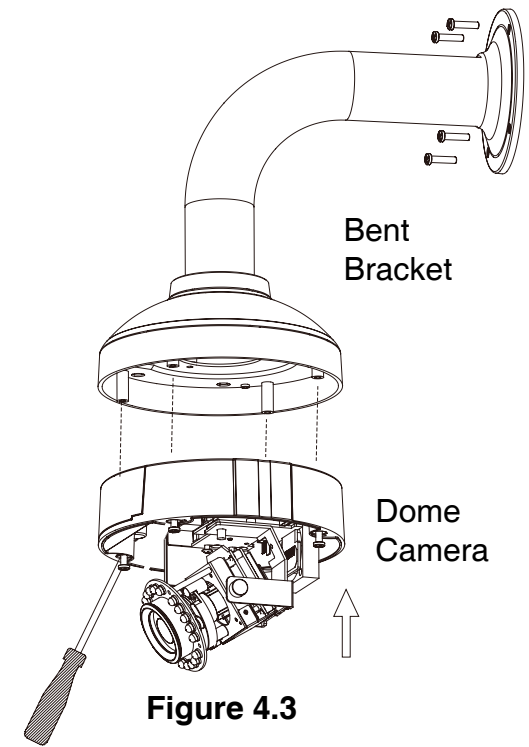
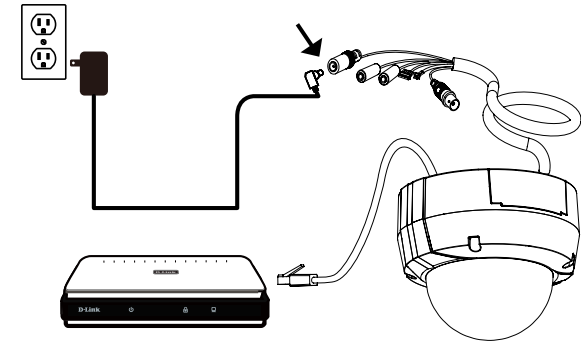


Figure 4.4

Network and Power Connections

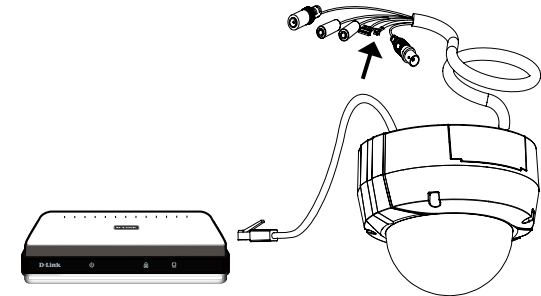
General Connection Using 12 V DC Power Adapter

1. Connect the network camera to a hub via an Ethernet cable.
2. Connect the supplied power cable from the camera to a power outlet.



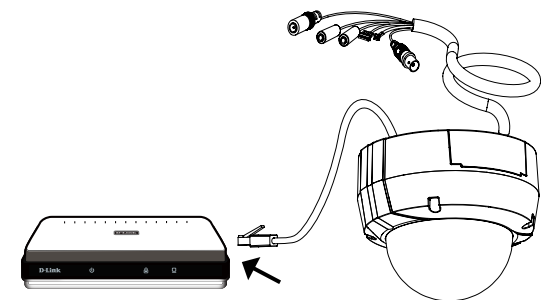
General Connection Using 24 V AC Power Wiring

1. Connect the network camera to a hub via an Ethernet cable.
2. Connect the supplied power cable from the camera to a power source such as your building's emergency power.



Connection with a PoE Hub

If you are using a PoE hub, connect the IP camera to the hub via an Ethernet cable, which will provide transmission of both power and data over a single cable.



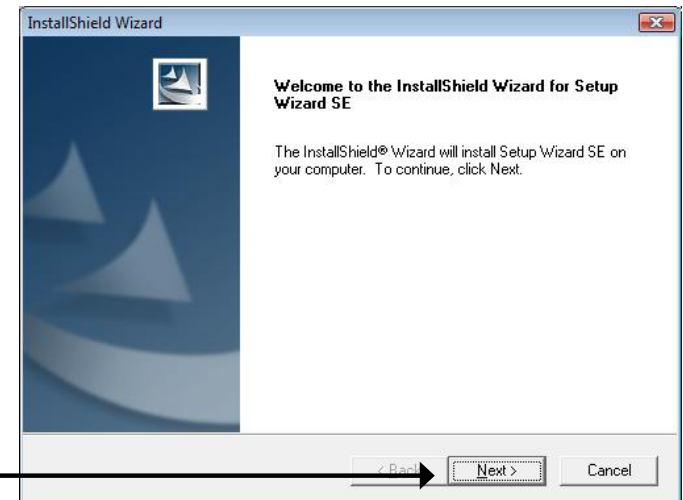
Configuration with Wizard

Insert the DCS-6511 CD into your computer's CD-ROM drive to begin the installation. If the Autorun function on your computer is disabled, or if the D-Link Launcher fails to start automatically, click **Start > Run**. Type **D:\autorun.exe**, where D: represents the drive letter of your CD-ROM drive.

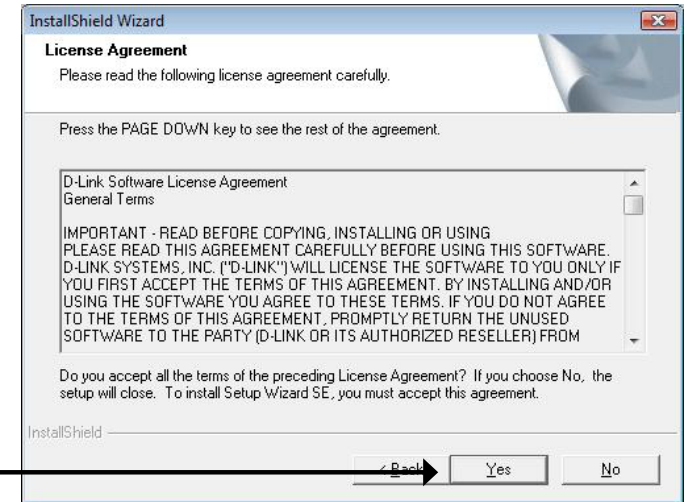
Click **Setup Wizard** to begin the installation.



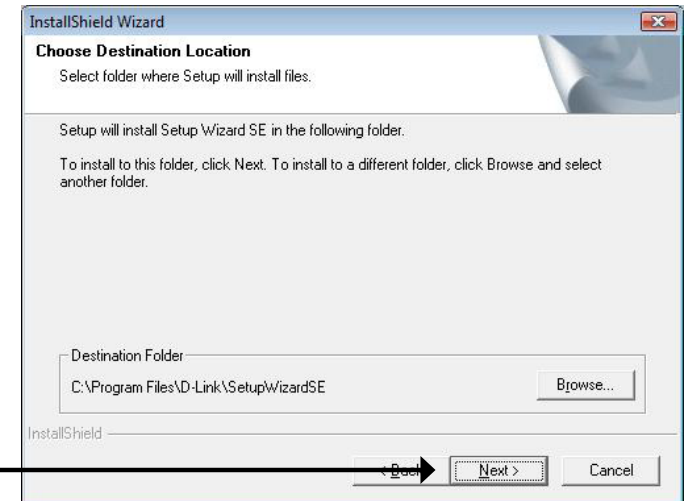
Click **Next** to continue.



Click **Yes** to accept the License Agreement.

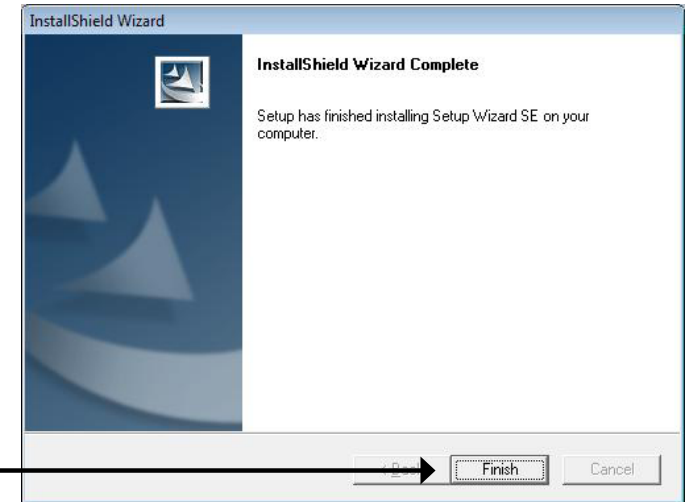


To start the installation process, click **Next**.



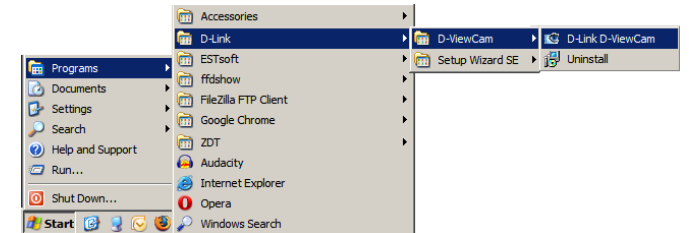
Note: The installation may take several minutes to finish.

Click **Finish** to complete the installation.



Click on the **D-Link Setup Wizard SE** icon that was created in your Windows Start menu.

Start > D-Link > Setup Wizard SE



Configuration

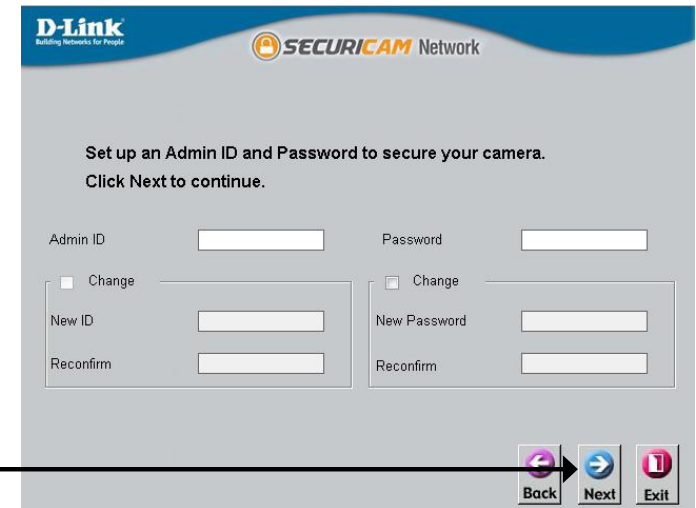
The Setup Wizard will appear and display the MAC address and IP address of your camera(s). If you have a DHCP server on your network, a valid IP Address will be displayed. If your network does not use a DHCP server, the network camera's default static IP address **192.168.0.20** will be displayed.

Click the **Wizard** button to continue.



Enter the Admin ID and password. When logging in for the first time, the default Admin ID is **admin** with the password left blank.

Click **Next**, to proceed to the next page.



Select **DHCP** if your camera obtains an IP address automatically when it boots up.
Select **Static IP** if the camera will use the same IP address each time it is started.

Click **Next**, to proceed to the next page.

D-Link Building Networks for People

SECURICAM Network

Set IP Address

DHCP

Static IP

IP Address

Subnet Mask

Default Gateway

Primary DNS

Secondary DNS

Take a moment to confirm your settings and click **Restart**.

D-Link Building Networks for People

SECURICAM Network

Admin ID

Password

IP Address

Subnet Mask

Primary DNS

Secondary DNS

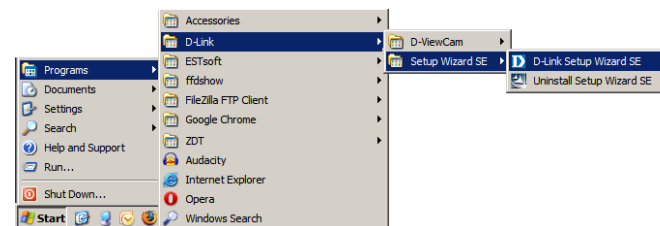
The Setup Wizard has completed. Click on 'Back' to modify your settings. Click 'Restart' to save your current settings and reboot the Internet Camera.

Web-based Configuration Utility

This section explains how to configure your new D-Link Network Camera using the Web-based Configuration Utility.

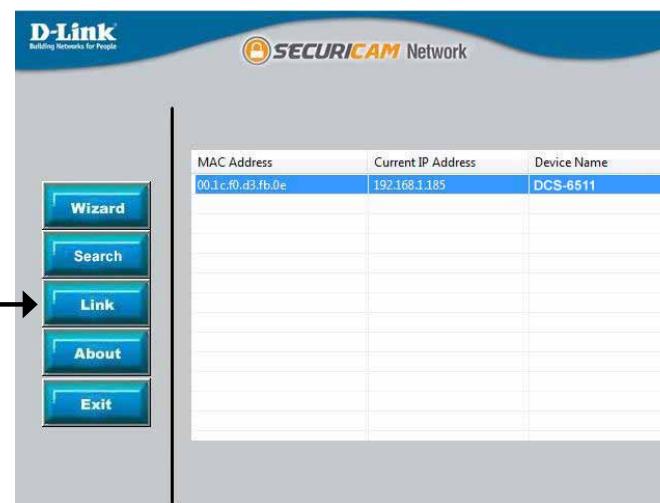
Click on the **D-Link Setup Wizard SE** icon that was created in your Windows Start menu.

Start > D-Link > Setup Wizard SE

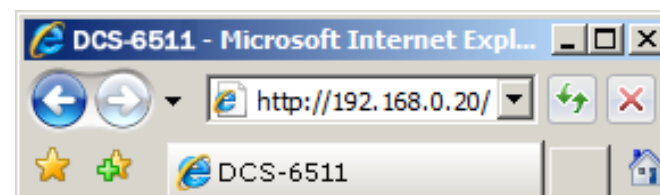


Select the camera and click the button labeled **"Link"** to access the web configuration.

The Setup Wizard will automatically open your web browser to the IP address of the camera.



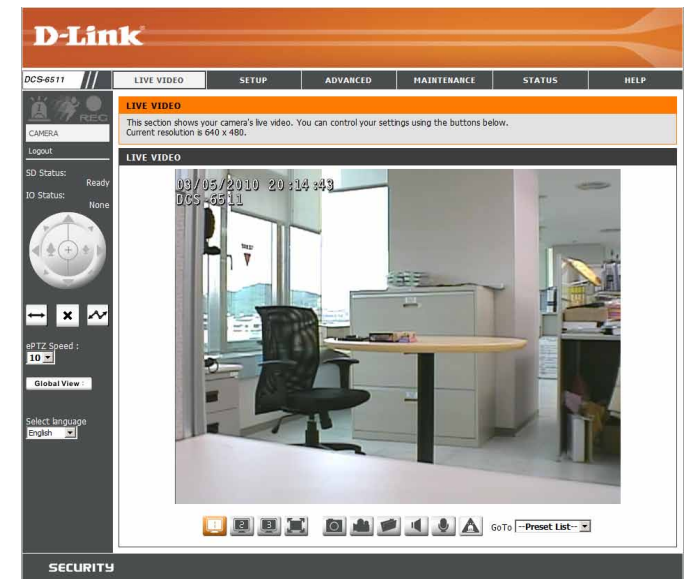
Alternatively, you may manually open a browser and enter the IP address of the camera: **192.168.0.20**



Enter **admin** as the default username and leave the password blank. Click **OK** to continue.
















This section shows your camera's live video. You can select your video profile and view or operate the camera. For additional information about web configuration, please refer to the user manual included on the CD-ROM or the D-Link website.

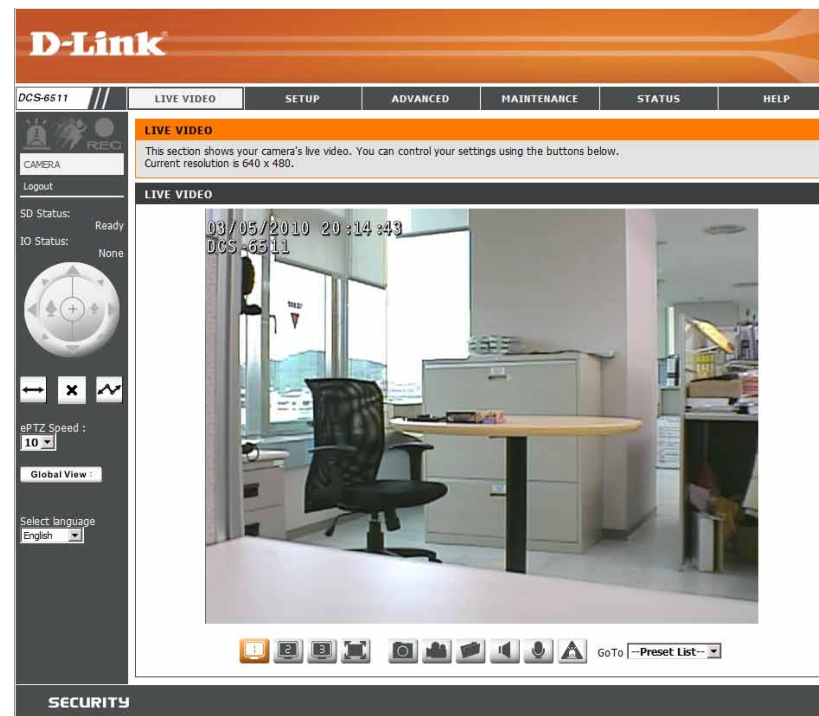



Live Video

This section shows your camera's live video. You may select any of the available icons listed below to operate the camera. You may also select your language using the drop-down menu on the left side of the screen.

	Digital Input Indicator	This indicator will change color when a digital input signal is detected.
	Motion Trigger Indicator	This indicator will change color when a trigger event occurs. Note: The video motion feature for your camera must be enabled.
	Recording Indicator	When a recording is in progress, this indicator will change color.

-  Video Profile 1
-  Video Profile 2
-  Video Profile 3
-  Full screen mode
-  Taking a Snapshot
-  Recording a Video Clip
-  Set a Storage Folder
-  Listen/Stop Listening
-  Talk/Stop Talking
-  Start/Stop Digital Output



	Control Pad	This control pad can be used to pan, tilt, and zoom within the camera's predefined view area, if one has been defined.
---	--------------------	--

Go To: If any presets have been defined, selecting a preset (**Preset List**) from this list will display it.

SD Status: This option displays the status of the SD card. If no SD card has been inserted, this screen will display the message "Card Invalid."

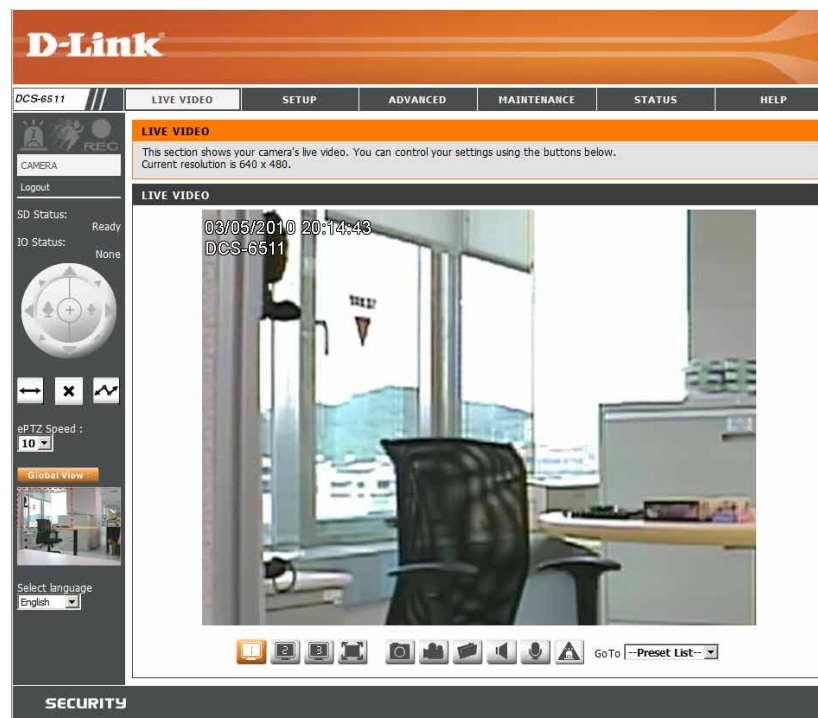
IO Status: This option displays the status of your I/O device if a device has been connected.

PTZ Control: This camera uses electronic pan/tilt/zoom (ePTZ) to select and view areas of interest in the field of view. Please see page 40 for information about setting the frame size and view window area.

ePTZ Speed: You may select a value between 0 and 64. 0 is the slowest and 64 is the fastest.

Global View: This window indicates the total field of view (FOV) of the camera. The red box indicates the visible region of interest (ROI).

Language: You may select the interface language using this menu. The available options are English and Traditional Chinese.

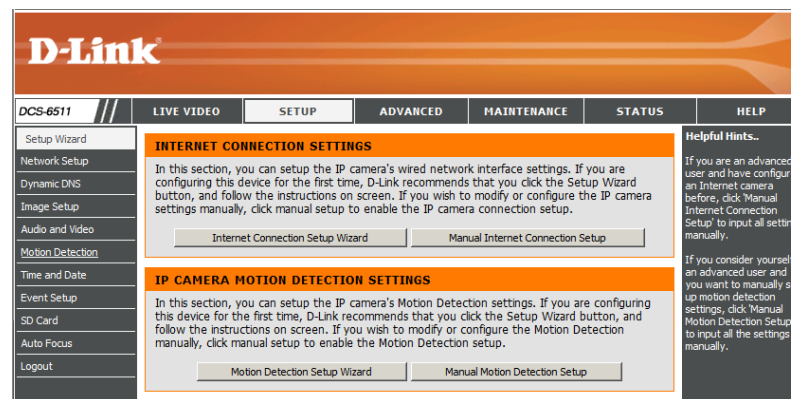


	Auto Pan	Starts the automatic panning function. The ROI will pan from back and forth within the FOV
	Stop	Stops the camera ePTZ motion
	Preset Path	Starts the camera's motion along the predefined path

Setup Wizard

To configure your Network Camera, click **Internet Connection Setup Wizard**. Alternatively, you may click **Manual Internet Connection Setup** to manually configure your Network Camera and skip to page 22.

To quickly configure your Network Camera's motion detection settings, click **Motion Detection Setup Wizard**. If you want to enter your settings without running the wizard, click **Manual Motion Detection Setup** and skip to page 27.

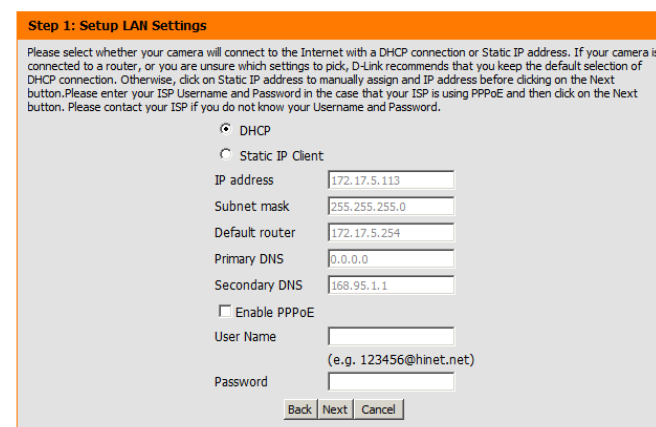
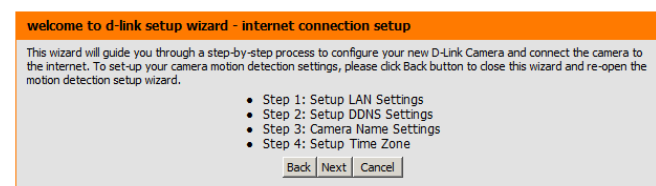


Internet Connection Setup Wizard

This wizard will guide you through a step-by-step process to configure your new D-Link Camera and connect the camera to the internet. Click **Next** to continue.

Note: Select DHCP if you are unsure of which settings to choose.

Click **Next** to continue.



Configuration

Select **Static IP** if your Internet Service Provider has provided you with connection settings, or if you wish to set a static address within your home network. Enter the correct configuration information and click **Next** to continue.

If you are using PPPoE, select **Enable PPPoE** and enter your user name and password, otherwise click **Next** to continue.

If you have a Dynamic DNS account and would like the camera to update your IP address automatically, Select **Enable DDNS** and enter your host information. Click **Next** to continue.

Enter a name for your camera and click **Next** to continue.

Step 1: Setup LAN Settings

Please select whether your camera will connect to the Internet with a DHCP connection or Static IP address. If your camera is connected to a router, or you are unsure which settings to pick, D-Link recommends that you keep the default selection of DHCP connection. Otherwise, click on Static IP address to manually assign an IP address before clicking on the Next button. Please enter your ISP Username and Password in the case that your ISP is using PPPoE and then click on the Next button. Please contact your ISP if you do not know your Username and Password.

DHCP
 Static IP Client

IP address
Subnet mask
Default router
Primary DNS
Secondary DNS

Enable PPPoE
User Name
(e.g. 123456@hinet.net)
Password

Step 2: Setup DDNS Settings

If you have a Dynamic DNS account and would like the camera to update your IP address automatically, enable DDNS and enter in your host information below. Please click on the Next button to continue.

Enable DDNS
Server Address <<
Host Name
User Name
Password
Verify Password
Timeout (hours)

Step 3: Camera Name Settings

D-Link recommends that you rename your camera for easy accessibility. You can then identify and connect to your camera via this name. Please assign a name of your choice before clicking on the Next button.

IP Camera Name

Configuration

Configure the correct time to ensure that all events will be triggered as scheduled. Click **Next** to continue.

If you have selected DHCP, you will see a summary of your settings, including the camera's IP address. Please write down all of this information as you will need it in order to access your camera.

Click **Apply** to save your settings.

Step 4: Setup Time Zone

Please configure the correct time to ensure that all events are triggered, captured and scheduled at the correct time and day and then click on the Next button.

Time Zone

Enable Daylight Saving

Step 5: Setup complete

Below is a summary of your camera settings. Click on the Back button to review or modify settings or click on the Apply button if all settings are correct. It is recommended to note down these settings in order to access your camera on the network or via your web browser.

IP Address	DHCP
IP Camera Name	DCS-6510
Time Zone	(GMT+08:00) Taipei
DDNS	Disable
PPPoE	Disable

Motion Detection Setup Wizard

This wizard will guide you through a step-by-step process to configure your camera's motion detection functions.

Click **Next** to continue.

Step 1

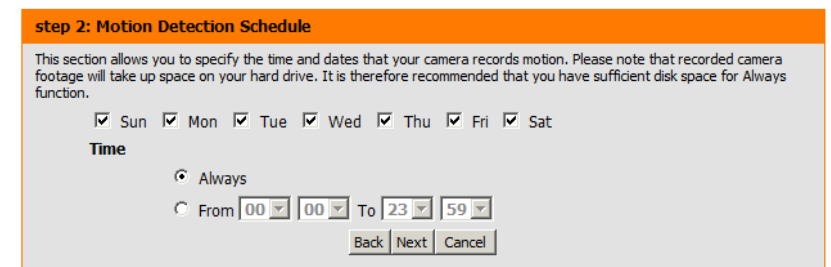
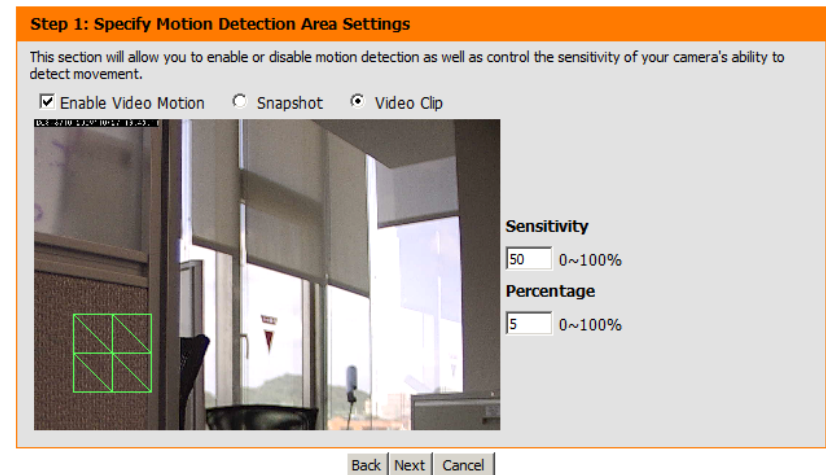
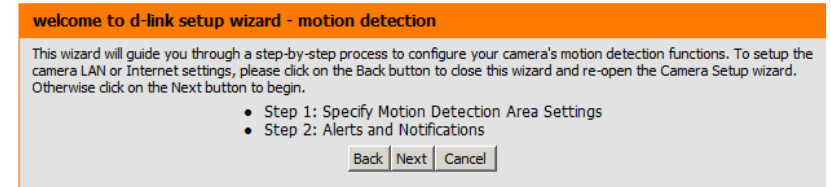
This step will allow you to enable or disable motion detection, specify the detection sensitivity, and adjust the camera's ability to detect movement.

You may specify whether the camera should capture a snapshot or a video clip when motion is detected.

Please see the **Motion Detection** section on page 43 for information about how to configure motion detection.

Step 2

This step allows you to enable motion detection based on a customized schedule. Specify the day and hours. You may also choose to always record motion.



Step 3

This step allows you to specify how you will receive event notifications from your camera. You may choose not to receive notifications, or to receive notifications via e-mail or FTP.

Please enter the relevant information for your e-mail or FTP account.

Click **Next** to continue.

Step 3: Alerts and Notification

This final step allows you to specify how you receive notification of camera events. Choose between an email notification or alternatively you can setup an FTP Notification. You will need your email account settings or FTP details. If you are unsure of this information, please contact your ISP. Once you have entered this information, please click on the Next button.

Do not motify me

Email

Sender email address

Recipient email address

Server address

User name

Password

Port

FTP

Server address

Port

User name

Password

Remote folder name

Step 4

You have completed the Motion Detection Wizard.

Please verify your settings and click **Apply** to save them.

Step 4: Setup Complete

You have completed your camera setup. Please click the Back button if you want to review or modify your settings or click on the Apply button to save and apply your settings.

Motion Detection : Enable

EVENT : Video Clip

Schedule Day : Sun ,Mon ,Tue ,Wed ,Thu ,Fri ,Sat ,

Schedule Time : Always

Alerts and Notification : Email

Please wait a few moments while the camera saves your settings and restarts.

Step 4: Setup Complete

You have completed your camera setup. Please click the Back button if you want to review or modify your settings or click on the Apply button to save and apply your settings.

Changes saved.IP Camera's network is restarting, please wait for 3 seconds ...

Network Setup

Use this section to configure the network connections for your camera. All relevant information must be entered accurately.

LAN Settings: Settings for your local area network.

DHCP: Select this connection if you have a DHCP server running on your network and would like your camera to obtain an IP address automatically.

Static IP Address: You may obtain a static or fixed IP address and other network information from your network administrator for your camera. A static IP address may simplify access to your camera in the future.

IP Address: Enter the fixed IP address in this field.

Subnet Mask: This number is used to determine if the destination is in the same subnet. The default value is 255.255.255.0.

Default Gateway: The gateway used to forward frames to destinations in a different subnet. Invalid gateway settings may cause the failure of transmissions to a different subnet.

Primary DNS: The primary domain name server translates names to IP addresses.

Secondary DNS: The secondary DNS acts as a backup to the primary DNS.

Enable UPnP: Enabling this setting allows your camera to be configured as a UPnP device on your network.

Enable UPnP Port Forwarding: Enabling this setting allows the camera to add port forwarding entries into the router automatically on a UPnP capable network.

The screenshot displays the D-Link DCS-6511 Network Setup web interface. The main content area is titled "NETWORK SETUP" and contains the following sections:

- LAN SETTINGS:**
 - DHCP
 - Static IP Client
 - IP address: 172.17.5.94
 - Subnet mask: 255.255.255.0
 - Default router: 172.17.5.254
 - Primary DNS: 192.168.168.250
 - Secondary DNS: 192.168.168.201
 - Enable UPnP presentation
 - Enable UPnP port forwarding
 - Forwarding Port: 1024
 - Forwarding Status: UPnP forwarding is inactive
- PPPOE SETTINGS:**
 - Enable Disable
 - User Name: []
 - Password: []
 - Confirm password: []
 - PPPOE Status: []
- HTTP:**
 - HTTP port: 80
 - Access name for stream1: video1.mjpg
 - Access name for stream2: video2.mjpg
 - Access name for stream3: video3.mjpg
- HTTPS:**
 - HTTPS port: 443
- RTSP:**
 - RTSP port: 554
 - Access name for stream1: live1.sdp
 - Access name for stream2: live2.sdp
 - Access name for stream3: live3.sdp
- TRAFFIC:**
 - Maximum Upload Bandwidth: 0 Kilo Bytes Per Second
 - Maximum Download Bandwidth: 0 Kilo Bytes Per Second

Buttons for "Save Settings" and "Don't Save Settings" are located at the bottom of the configuration area. A "Helpful Hints" sidebar on the right provides additional information about DHCP, UPnP, PPPOE, HTTP, HTTPS, RTSP, and Traffic settings.

Enable PPPoE: Enable this setting if your network uses PPPoE.

User Name: The unique name of your account. You may obtain this information from your ISP.

Password: The password to your account. You may obtain this information from your ISP.

HTTP Port: The default port number is 80.

Access Name for Stream 1~3: The default name is video#.mjpg, where # is the number of the stream.

HTTPS Port: You may use a PC with a secure browser to connect to the HTTPS port of the camera. The default port number is 443.

RTSP Port: The port number that you use for RTSP streaming to mobile devices, such as mobile phones or PDAs. The default port number is 554. You may specify the address of a particular stream. For instance, live1.sdp can be accessed at rtsp://x.x.x.x/video1.sdp where the x.x.x.x represents the ip address of your camera.

Maximum Upload/Download Bandwidth: Specifying the maximum download/upload bandwidth for each socket can be useful when connecting your device to a busy or heavily loaded network. Entering a value of '0' indicates that the camera should not monitor bandwidth. Specifying other values will limit the camera's transfer speed to the specified number of Kilobytes per second.

Helpful Hints...

Select DHCP Connection if you are running a DHCP server on your network and would like an IP address assigned to your IP camera automatically.

- Enabling UPnP settings will allow you to configure your IP camera as an UPnP device in the network.

- PPPoE Setting - If you use the IP camera to connect directly to the internet, you will need to enter the username and password, which were given to you when you set up your account with your Internet Service Provider. If the camera is behind a router or a gateway, you do not need to configure this setting.

- HTTP Port is the port you allocate in order to connect to the IP camera via a standard web browser.

- HTTPS Port in a IP camera connects it with a PC via a secure web browser.

- RTSP Port is the port you allocate in order to connect to a IP camera by using streaming mobile device(s), such as a mobile phone or PDA.

Traffic - Specifying the maximum download/upload bandwidth for each socket is useful when connecting your device to a busy or heavily loaded network.

*The value '0' means it will not monitor any traffic.

Dynamic DNS

DDNS (Dynamic Domain Name Server) will hold a DNS host name and synchronize the public IP address of the modem when it has been modified. A user name and password are required when using the DDNS service.

Enable DDNS: Select this checkbox to enable the DDNS function.

Server Address: Select your Dynamic DNS provider from the drop-down menu or enter the server address manually.

Host Name: Enter the host name of the DDNS server.

User Name: Enter your user name or e-mail used to connect to the DDNS.

Password: Enter your password used to connect to the DDNS server.

Timeout: Enter DNS Timeout values.

Status: Indicates the connection status, which is automatically determined by the system.

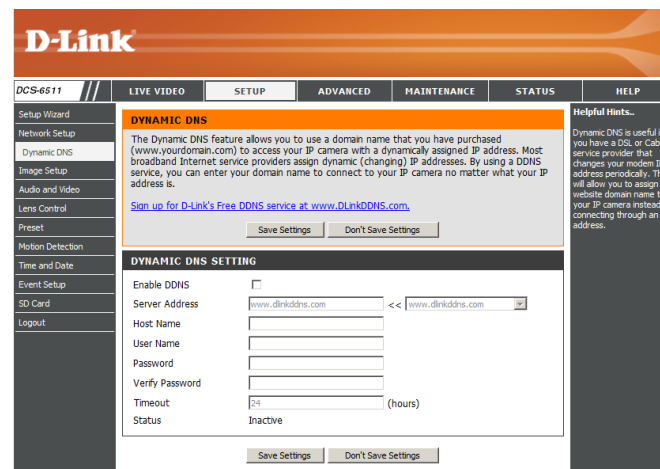


Image Setup

In this section, you may configure the video image settings for your camera. A preview of the image will be shown in Live Video.

Enable Privacy Mask: The Privacy Mask setting allows you to specify up to 3 rectangular areas on the camera's image to be blocked/excluded from recordings and snapshots.

You may click and drag the mouse cursor over the camera image to draw a mask area.

Right clicking on the camera image brings up the following menu options:

Disable All: Disables all mask areas

Enable All: Enables all mask areas

Reset All: Clears all mask areas.

Mirror: This option horizontally reverses your images 180°.

Flip: This option vertically reverses your images 180°.

Power Line: This option can be used to remove 50/60 Hz flicker.

White Balance: This option can be used to remove unrealistic color casts so that objects which appear white in reality are rendered white for images on your screen.

Max AGC: Auto Gain Control - Controls the gain of a signal. Using AGC means that weaker signals receive more gain and stronger signals receive less gain or none at all.

For better performance in low light environments, use a higher AGC value.

For better WDR performance, use a higher AGC value.

To reduce sharpness and noise, use a lower AGC value.

The screenshot shows the D-Link DCS-6511 web interface. The top navigation bar includes 'LIVE VIDEO', 'SETUP', 'ADVANCED', 'MAINTENANCE', 'STATUS', and 'HELP'. The 'SETUP' menu is expanded to show 'IMAGE SETUP'. The 'LIVE VIDEO' section displays a camera feed with a 'Privacy Mask' overlay. The 'IMAGE SETTINGS' section includes the following controls:

- Mirror: On Off
- Flip: On Off
- Power Line: 60 Hz 50 Hz
- White Balance: (dropdown)
- Max AGC: (dropdown)
- Exposure Time: Auto (dropdown)
- Brightness: (dropdown)
- Contrast: (dropdown)
- Saturation: (dropdown)
- Sharpness: (dropdown)
- WDR Level: (dropdown)

The 'Helpful Hints...' sidebar on the right provides detailed explanations for each setting, such as 'Privacy Mask', 'Mirror', 'Flip', 'Power Line', 'White Balance', 'Exposure Time', 'AGC', 'Brightness', 'Contrast', and 'Saturation'.

Exposure Time: This setting affects the frame rate of the camera. Auto is the recommended setting, however advanced users may adjust this value if needed. If an AGC value has been set, the exposure time will be automatically set to “Auto”.

Brightness: This option can be used to compensate for backlit scenes.

Contrast: Adjustment of this option may help to improve the image under a dull grey sky.

Saturation: This option controls the strength of color from black and white to bold colors.

Sharpness: This option controls the amount of sharpening applied to the image.

WDR Level: This option allows the camera to operate in environments with high-contrast such as lobby entrances, parking lots, ATMs, loading areas, and more. You may adjust the level from 0 to 8 depending on your particular application.

Audio and Video

You may configure 3 video profiles with different settings for your camera. Hence, you may set up different profiles for your computer and mobile display. In addition, you may also configure the two-way audio settings for your camera. Higher frame size, frame rate and bit rate rate gives better video quality. At the same time, it requires more network bandwidth.

Resolution: This option allows the user to choose the video resolution of the camera between 160x120, 320x240, 640x480, 1280x720, 1280x1024:

- QQVGA @ 160x120 - Typically used on handheld devices.
- QVGA @ 320x240 - Standard resolution for mobile phones and PDAs.
- VGA @ 640x480 - Standard resolution for computer displays.
- 720P @ 1280x720 - Typically used on handheld devices.
- SXGA @ 1280x1024 - Standard resolution for computer displays.

Mode: Select the video compression mode. You may select JPEG, MPEG4, or H.264. H.264 consumes less network bandwidth than JPEG.

Frame Size: Select the frame size. 5 options exist for the sizes of the video display. 160x120 is recommended for mobile viewing and 1280x1024 is recommended for computer viewing.

View Window Area: Select the size for the view window. Be sure to set the view window area to equal or smaller than the frame size so that the EPTZ system functions correctly.

Maximum Frame Rate: A higher frame rate provides smoother motion for videos. Lower frame rates will result in stuttering motion. The maximum number of frames that is displayed in 1 second. 30 fps is the highest video quality for this camera. In general, any frame rate above 15 fps is imperceptible to the human eye.

Product: DCS-6511 Firmware Version: 1.00

D-Link

DCS-6511 // LIVE VIDEO SETUP ADVANCED MAINTENANCE STATUS HELP

AUDIO AND VIDEO

This section allows you to configure the sound and video of your camera. You can configure different settings depending on whether you are viewing content from a PC or a Mobile Phone / PDA.

Save Settings Don't Save Settings

VIDEO PROFILE 1

Mode: H.264
 Frame size: 640x480
 View window area: 640x480
 Maximum frame rate: 30
 Video quality: Constant bit rate (selected) 2M, Fixed quality Excellent

VIDEO PROFILE 2

Mode: JPEG
 Frame size: 640x480
 View window area: 320x240
 Maximum frame rate: 30
 Video quality: Excellent

VIDEO PROFILE 3

Mode: MPEG4
 Frame size: 1280x720
 View window area: 640x480
 Maximum frame rate: 30
 Video quality: Constant bit rate (selected) 1M, Fixed quality Excellent

AUDIO SETTINGS

Audio in off
 Audio in gain level: 20dB
 Audio out off
 Audio out volume level: 10

Save Settings Don't Save Settings

SECURITY

Helpful Hints...

Higher frame size, frame rate and bit rate rate gives better video quality. At the same time, it requires more network bandwidth.

For best viewing results on a mobile phone, we suggest setting the Frame Rate to 15fps and the Bit Rate to 64 Kbps.

Mode: It can be either JPEG or MPEG4. In JPEG mode, the video frames are independent. However, MPEG4 consumes much less network bandwidth than JPEG.

Frame Size: 5 options exist for the sizes of the video display. It is recommended using 160x120 for mobile viewing and 1280x1024 for computer viewing.

Max frame rate: The maximum number of frames that is displayed in 1 second. 30fps is the highest video quality for the camera. In general, any frame rate above 15 fps is imperceptible to the human eye.

Video Quality: This limits the maximal refresh frame rate, which can be combined with the Fixed quality to optimize the bandwidth utilization and video quality. If the User wants to fix the bandwidth utilization regardless of the video quality, choose Constant bit rate and select the desired bandwidth.

Audio Settings: You can use the option to switch the external microphone on/off or adjust the volume.

Video Quality: This limits the maximal refresh frame rate, which can be combined with the "Fixed quality" option to optimize the bandwidth utilization and video quality. If fixed bandwidth utilization is desired regardless of the video quality, choose "Constant bit rate" and select the desired bandwidth.

Constant Bit Rate: The bps will affect the bit rate of the video recorded by the camera. Higher bit rates result in higher video quality.

JPEG Quality: Select the image quality level of JPEG images. You may choose **Standard**, **Good**, or **Excellent**.

Audio in off: Select this box to turn off the audio input (microphone).

Audio in gain level: Choose the gain level. You may select 0 dB or 26 dB.

Audio out off: Select this box to turn off the audio output (speaker).

Audio out volume level: Select a level between 1 (lowest) and 10 (highest) for the audio out.

Lens Control

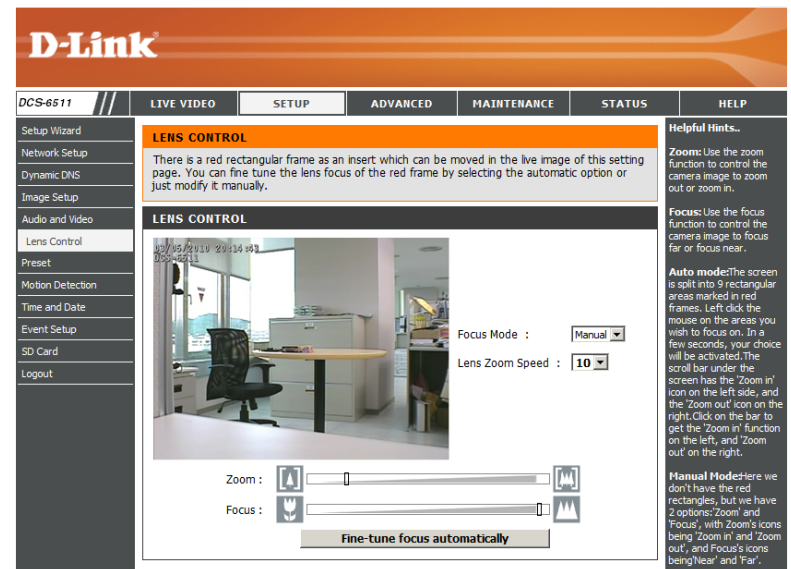
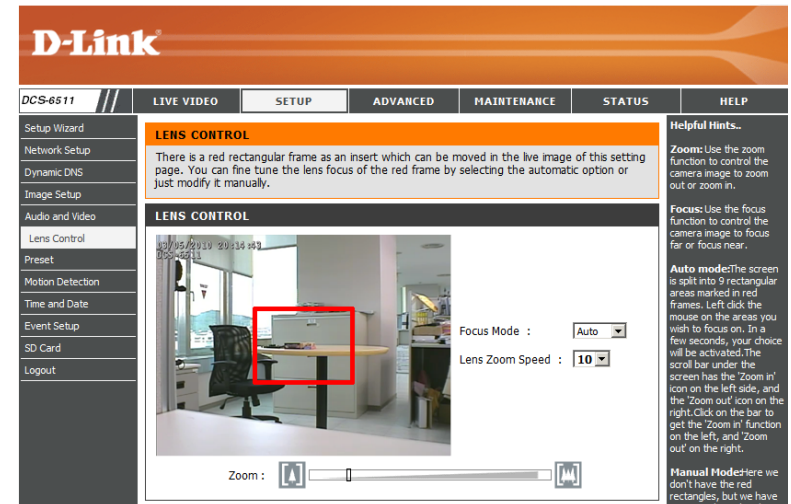
The red rectangular frame can be moved within the live image of this setting page. The camera will automatically adjust the focus based on the region of interest indicated by the red frame.

Focus Mode: You may select Auto to allow the camera to automatically adjust the focus. You may select Manual focus to adjust the focus using the focus slider.

Lens Zoom Speed: Select a speed between 1 and 10 for the camera's optical zoom feature.

Zoom: Use the slider bar to adjust the zoom level.

Focus: When Manual focus is selected, you may use this slider bar to adjust the focus level.



Motion Detection

Enabling Video Motion will allow your camera to use the motion detection feature. You may draw a finite motion area that will be used for monitoring.

Enable Video Motion: Select this box to enable the motion detection feature of your camera.

Sensitivity: Specifies the measurable difference between two sequential images that would indicate motion. Please enter a value between 0 and 100.

Percentage: Specifies the amount of motion in the window being monitored that is required to initiate an alert. If this is set to 100%, motion is detected within the whole window will trigger a snapshot.

Draw Motion Area: Draw the motion detection area by dragging your mouse in the window (indicated by the red square).

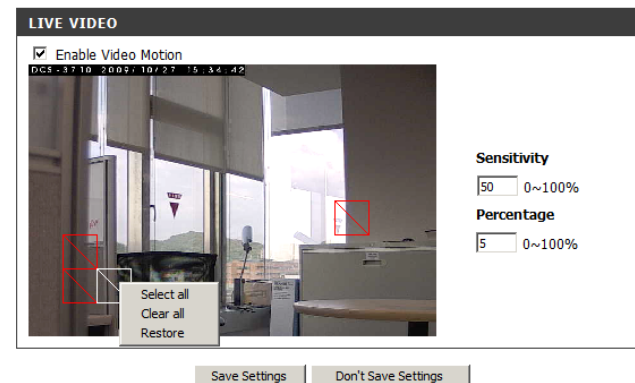
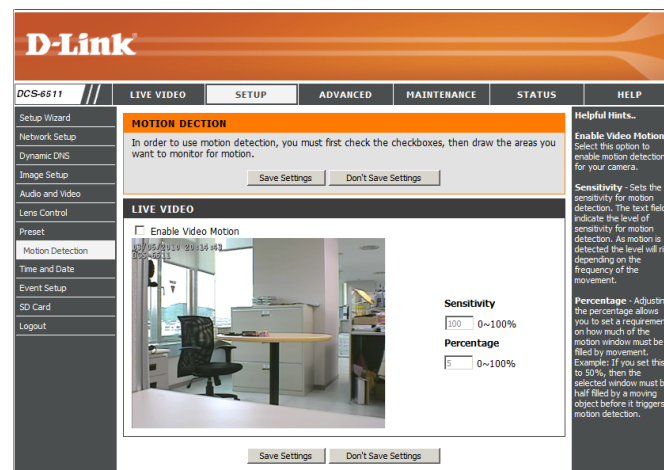
Erase Motion Area: To erase a motion detection area, simply click on the red square that you wish to remove.

Right clicking on the camera image brings up the following menu options:

Select All: Draws a motion detection area over the entire screen.

Clear All: Clears any motion detection areas that have been drawn.

Restore: Restores the previously specified motion detection areas.



Time and Date

This section allows you to automatically or manually configure, update, and maintain the internal system clock for your camera.

Time Zone: Select your time zone from the drop-down menu.

Enable Daylight Saving: Select this to enable Daylight Saving Time.

Auto Daylight Saving: Select this option to allow your camera to configure the Daylight Saving settings automatically.

Set Date and Time Manually: Selecting this option allows you to configure the Daylight Saving date and time manually.

Offset: Sets the amount of time to be added or removed when Daylight Saving is enabled.

Synchronize with NTP Server: Enable this feature to obtain time automatically from an NTP server.

NTP Server: Network Time Protocol (NTP) synchronizes the DCS-6511 with an Internet time server. Choose the one that is closest to your location.

Set the Date and Time

Manually: This option allows you to set the time and date manually.

Copy Your Computer's Time

Settings: This will synchronize the time information from your PC.

TIME AND DATE

You can set the current time for the IP camera.

Save Settings Don't Save Settings

TIME CONFIGURATION

Time Zone (GMT+08:00) Taipei

Enable Daylight Saving

Auto Daylight Saving

Set date and time manually

Offset +2:00

Start time Month Week Day of week Hour Minutes
5 1 Sunday 0 00

End time Month Week Day of week Hour Minutes
10 1 Sunday 0 00

AUTOMATIC TIME CONFIGURATION

Synchronize with NTP Server

NTP Server ntp.dlink.com.tw << Select NTP Server

SET DATE AND TIME MANUALLY

Set date and time manually

Year Month Day
2010 1 18

Hour Minute Second
15 54 51

Copy Your Computer's Time Settings

Save Settings Don't Save Settings

Helpful Hints...

Good timekeeping is important for accurate logs and scheduled firewall rules.

Time Zone: Select your time zone from the drop-down menu.

Enable Daylight Saving: Select this to enable the daylight saving time.

Auto Daylight Saving: When you select it, the clock is automatically adjusted according to the daylight saving time of the selected time zone.

Offset: Select the time offset, if your location observes daylight saving time.

Synchronize with NTP Server: With the option selected, the camera will synchronize the time settings with the NTP server over the Internet whenever the camera starts up. If the timeserver cannot be reached, no time settings will be applied.

NTP Server: Network Time Protocol (NTP) synchronizes the IP camera with an Internet time server. Choose the one that is closest to your location.

Copy Your Computer's Time Settings: This will synchronize the time information from your PC.

Event Setup

The Event Setup page includes four different sections.

- Event
- Server
- Media
- Recording

1. To add a new item - "event, server or media," click **Add**. A screen will appear and allow you to update the fields accordingly.

2. To delete the selected item from the drop-down menu of event, server or media, click **Delete**.

3. Click on the item name to pop up a window for modifying.

Note: You can add up to four events, five servers, and five media fields.

D-Link

DCS-6511 // LIVE VIDEO SETUP ADVANCED MAINTENANCE STATUS HELP

Setup Wizard
Network Setup
Dynamic DNS
Image Setup
Audio and Video
Lens Control
Preset
Motion Detection
Time and Date
Event Setup
SD Card
Logout

EVENT SETUP

There are four sections in Event Setup page. They are event, server, media and recording. Click Add to pop a window to add a new item of event, server, media or recording. Click Delete to delete the selected item from event, server, media or recording. Click on the item name to pop a window to edit it. There can be at most three events and two recording. There can be at most five server and five media configurations.

SERVER

Name	Type	Address/Location
Add	▼	Delete

MEDIA

Media freespace: 6700KB

Name	Type
Add	▼
Delete	

EVENT

Name	Status	Sun	Mon	Tue	Wed	Thu	Fri	Sat	Time	Trigger
Add	▼									
Delete										

RECORDING

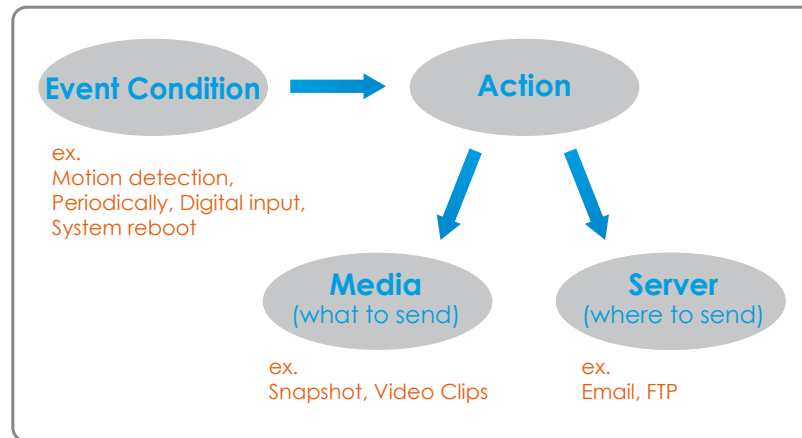
Name	Status	Sun	Mon	Tue	Wed	Thu	Fri	Sat	Time	Source	Destination
Add	▼										
Delete											

Helpful Hints...

Suggest setting server and media first before setting event. The servers and media which selected in event list are not be able to modify or delete. Please remove them first from the event if you want to delete or modify them. Recommend using different media in different event to make use all media be produced and received correctly. If using the same media in different events and the events trigger almost simultaneously, the servers in the second triggered event will not receive any media; there would be only notifications.

Application

In a typical application, when motion is detected, the DCS-6511 Network Camera sends images to a FTP server or via e-mail as notifications. As shown in the illustration below, an event can be triggered by many sources, such as motion detection or external digital input devices. When an event is triggered, a specified action will be performed. You can configure the Network Camera to send snapshots or videos to your e-mail address or FTP site.



To start plotting an event, it is suggested to configure server and media columns first so that the Network Camera will know what action shall be performed when a trigger is activated.

Add Server

Configure up to 5 servers to store media.

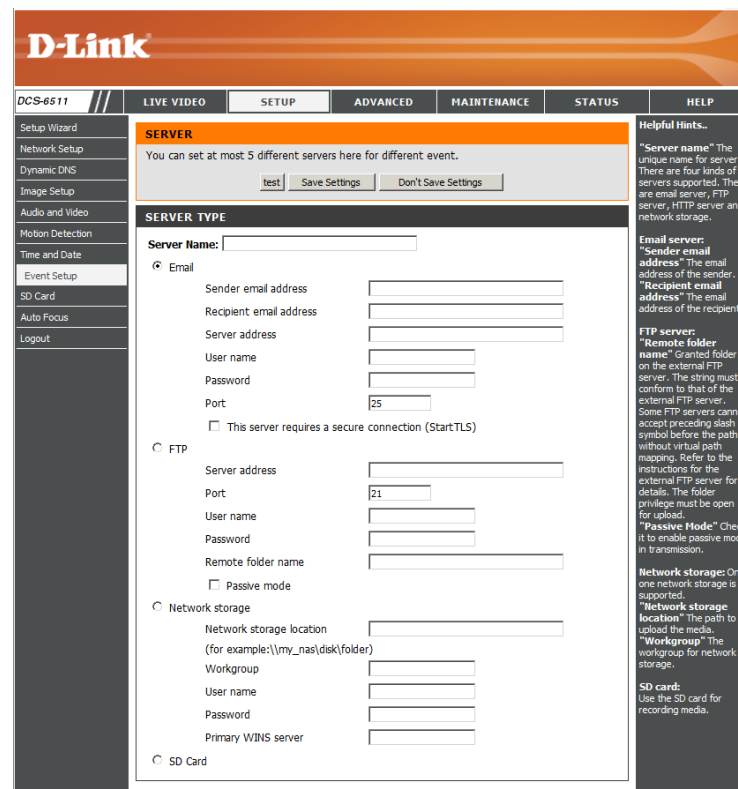
Server Name: Enter the unique name of your server.

E-mail: Enter the configuration for the target e-mail server account.

FTP: Enter the configuration for the target FTP server account.

Network Storage: Specify a network storage device. Only one network storage device is supported.

SD Card: Use the camera's onboard SD card storage.



Add Media

There are three types of media, **Snapshot**, **Video Clip** and **System Log**.

Media Name: Enter a unique name for media.

Snapshot: Select this option to enable snapshots.

Source: The stream source: **Profile 1**, **Profile 2** or **Profile 3**.

Send pre-event image(s) [0~4]: The number of pre-event images.

Send post-event image(s) [0~7]: The number of post-event images.

File name prefix: The prefix name will be added on the file name.

Add date and time suffix to file name: Check it to add timing information as file name suffix.

Video clip: Select this option to enable video clips.

Source: The source of the profile: **profile1**, **profile2**, or **profile3**.

Pre-event recording: The interval of pre-event recording in seconds.

Maximum duration: The maximal recording file duration in seconds.

Maximum file size: The maximal file size would be generated.

File name prefix: The prefix name will be added on the file name of the video clip.

System log: Select this option to save events to the camera system log.

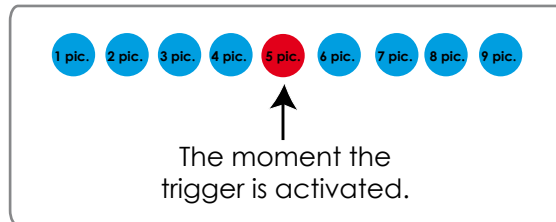
The screenshot shows the 'Add Media' configuration page in the D-Link DCS-6511 web interface. The page is titled 'MEDIA' and contains a 'MEDIA TYPE' section with radio buttons for 'Snapshot', 'Video Clip', and 'System log'. The 'Snapshot' option is selected. Below it, there are fields for 'Media name', 'Source' (Profile 1), 'Send' (1) pre-event image(s) [0~4], 'Send' (1) post-event image(s) [0~7], 'File Name Prefix', and a checkbox for 'Add date and time suffix to file name'. The 'Video Clip' section has fields for 'Source' (Profile 1), 'Pre-event recording' (0~4) seconds, 'Maximum duration' (1~100) seconds, 'Maximum file size' (100~3000) kbytes, and 'File Name Prefix'. The 'System log' option is also visible. The interface includes a navigation menu on the left and a 'Helpful Hints' sidebar on the right.

Send post-event image (s) [0~7]

Specify to capture the number of images after a trigger is activated. A maximum of seven images can be generated.

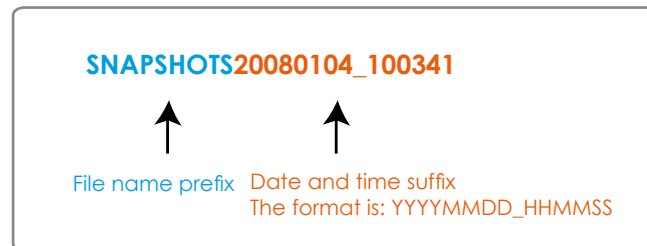
For example:

If both the Send pre-event images and Send post-event images are set to four, a total of 9 images are generated after a trigger is activated.



Add a date and time suffix to the file name

Select this option to add a date and time to the file name suffix.



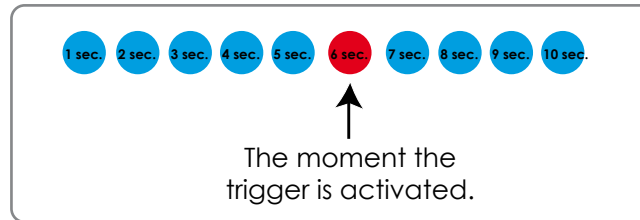
Maximum duration

Specify the maximal recording duration in seconds. You can set up to ten seconds.

For example:

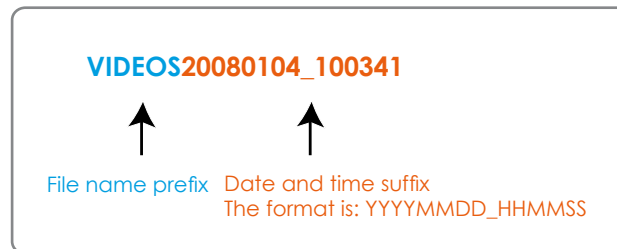
Configuration

If the Pre-event recording is set to five seconds and the Maximum duration is set to ten seconds, the Network Camera continues to record for another four seconds after a trigger is activated.



File name prefix

Enter the text that will be added at the beginning of the file name.



Add Event

Create and schedule up to three events with their own settings here.

Event name: Enter a name for the event.

Enable this event: Select this box to activate this event.

Priority: Set the priority for this event. The event with higher priority will be executed first.

Delay: Select the delay time before checking the next event. It is being used for both events of motion detection and digital input trigger.

Trigger: Specify the input type that triggers the event.

Video Motion Detection: Motion is detected during live video monitoring. Select the windows that need to be monitored.

Periodic: The event is triggered in specified intervals. The trigger interval unit is in minutes.

Digital Input: The external digital input trigger input to the camera.

System Boot: Triggers an event when the system boots up.

Network Lost: Triggers and event when the network is lost.

Time: Select **Always** or enter the time interval.

Trigger D/O: Select to trigger the digital output for a specific number of seconds when an event occurs.

Add Recording

Here you can configure and schedule the recording settings.

Recording entry

name: The unique name of the entry.

Enable this

recording: Select this to enable the recording function.

Priority: Set the priority for this entry. The entry with a higher priority value will be executed first.

Source: The source of the stream.

Recording

schedule: Scheduling the recording entry.

Recording

settings: Configuring the setting for the recording.

Destination: Select the folder where the recording file will be stored.

Total cycling recording size: Please input a volume size between 1MB and 200GB for recording space. The recording data will replace the oldest record when the total recording size exceeds this value. For example, if each recording file is 6MB, and the total cyclic recording size is 600MB, then the camera will record 100 files in the specified location (folder) and then will delete the oldest file and create new file for cyclic recording.

Please note that if there is not enough free space, the recording will stop. Before you set up this option please make sure that sufficient free space is available. It is better to not save other files in the same folder as recordings.

Size of each file

for recording: File size for each recording file. You may input the value in the range of 200-5000.

File Name Prefix: The prefix name will be added on the file name of the recording file(s).



SD Card

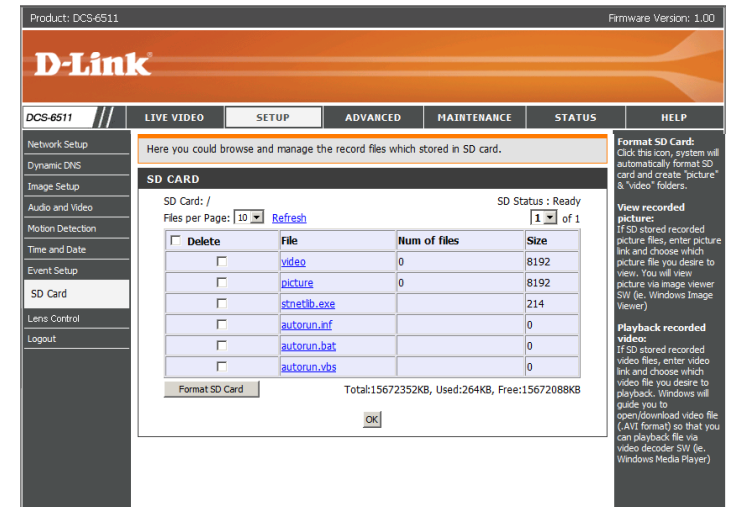
Here you may browse and manage the recorded files which are stored on the SD card.

Format SD Card: Click this icon to automatically format the SD card and create "picture" & "video" folders.

View Recorded Picture: If the picture files are stored on the SD card, click on the picture folder and choose the picture file you would like to view.

Playback Recorded Video: If video files are stored on the SD card, click on the video folder and choose the video file you would like to view.

Refresh: Reloads the file and folder information from the SD card.



Advanced

Digital Input/Output

This screen allows you to control the behavior of digital input and digital output devices. The I/O connector provides the physical interface for digital output (DO) and digital input (DI) that is used for connecting a diversity of external alarm devices such as IR-Sensors and alarm relays. The digital input is used for connecting external alarm devices and once triggered images will be taken and e-mailed.

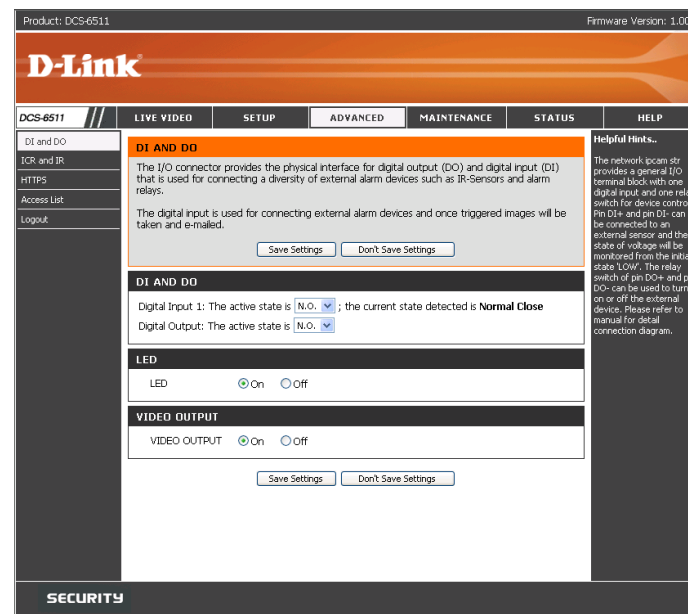
Select D/I or D/O Mode: The camera will send a signal when an event is triggered, depending upon the type of device connected to the DI circuit.

N.C. stands for **Normally Closed**. This means that the normal state of the circuit is closed. Therefore events are triggered when the device status changes to **Open**.

N.O. stands for **Normally Open**. This means that the normal state of the circuit is open. Therefore events are triggered when the device status changes to **Closed**.

LED: You may specify whether or not to illuminate the LED on the side of the camera.

Video Output: Enable/ disable the BNC terminal TV output signal.



ICR and IR

Here you can configure the ICR and IR settings. An IR(Infrared) Cut-Removable(ICR) filter can be disengaged for increased sensitivity in low light environments.

Automatic: The Day/Night mode is set automatically. Generally, the camera uses Day mode and switches to Night mode when needed.

Day Mode: Day mode enables the IR Cut Filter.

Night Mode: Night mode disables the IR Cut Filter.

Schedule Mode: Set up the Day/Night mode using a schedule. The camera will enter Day mode at the starting time and return to Night mode at the ending time.

IR Light Control: The camera can enable or disable the IR (infrared) light according to your preferences. This setting provides additional controls depending on your specific application.

Off: The IR light will always be off.

On: The IR light will always be on.

Sync: The IR light will turn on when the ICR sensor is on.

Schedule: The IR light will turn on or off according to the schedule that you specify below.



HTTPS

This page allows you to install and activate an HTTPS certificate for secure access to your camera.

Enable HTTPS Secure Connection:

Enable the HTTPS service.

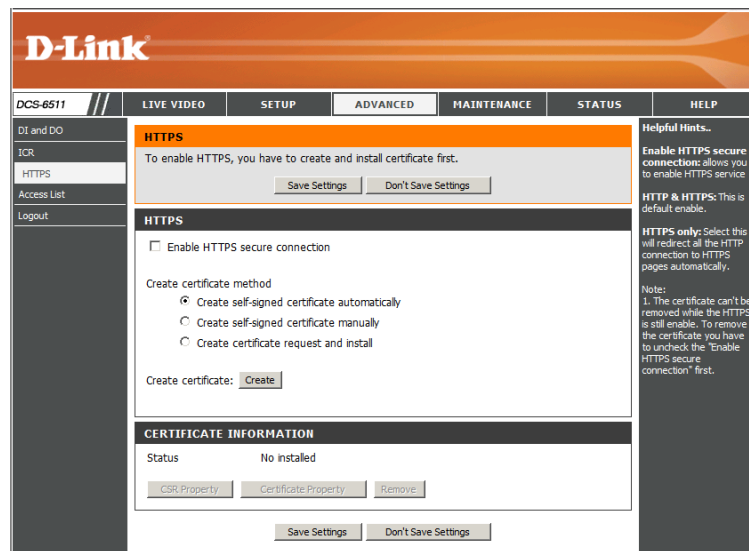
Create Certificate Method:

Choose the way the certificate should be created. Three options are available:

- Create a self-signed certificate automatically
- Create a self-signed certificate manually
- Create a certificate request and install

Status: Displays the status of the certificate.

Note: The certificate cannot be removed while the HTTPS is still enabled. To remove the certificate you must first uncheck **Enable HTTPS secure connection**.



Access List

Here you can set access permissions for users to view your DCS-6511.

Allow list: The list of IP addresses that have the access right to the camera.

Start IP address: The starting IP Address of the devices (such as a computer) that have permission to access the video of the camera. Click **Add** to save the changes made.

Note: A total of seven lists can be configured for both columns.

End IP address: The ending IP Address of the devices (such as a computer) that have permission to access the video of the camera.

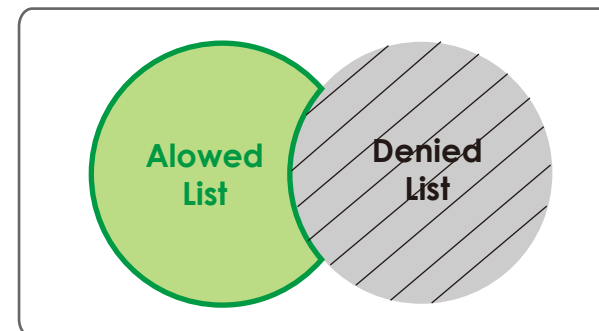
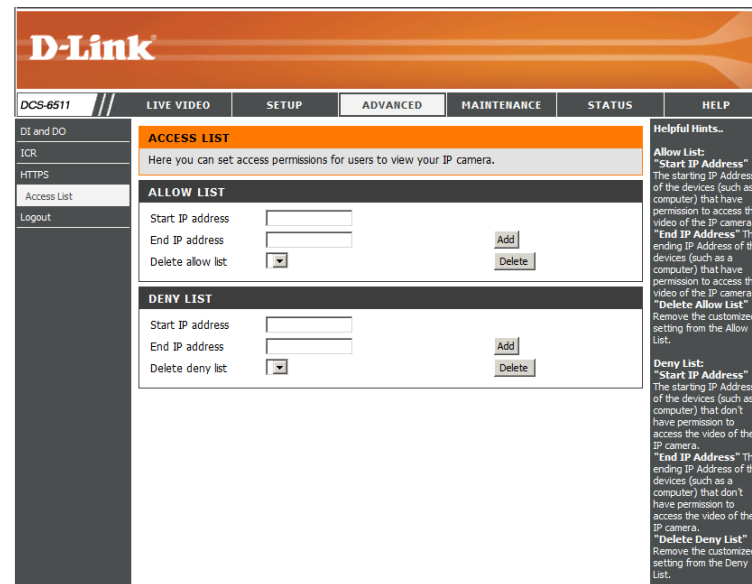
Delete allow list: Remove the customized setting from the Allow List.

Deny list: The list of IP addresses that have no access right to the camera.

Delete deny list: Remove the customized setting from the Delete List.

For example:

When the range of the Allowed List is set from 1.1.1.0 to 192.255.255.255 and the range of the Denied List is set from 1.1.1.0 to 170.255.255.255. Only users with IPs located between 171.0.0.0 and 192.255.255.255 can access the Network Camera.



Maintenance

Device Management

You may modify the name and administrator's password of your camera, as well as add and manage the user accounts for accessing the camera. You may also use this section to create the unique name and configure the OSD setting for your camera.

Admin Password Setting: Set a new password for the administrator's account.

Add User Account: Add new user account.

User Name: The user name for the new account.

Password: The password for the new account.

User List: All the existing user accounts will be displayed here. You may delete accounts includes in the list, but please reserve at least one as guest.

Camera Name: Create a unique name for your camera that will be added to the file name prefix when creating a snapshot or a video clip.

Enable OSD: Select this option to enable the On-Screen Display feature for your camera.

Label: Enter a label for the camera.

Show Time: Select this option to enable the time-stamp display on the video screen.

D-Link

DCS-6511 // LIVE VIDEO SETUP ADVANCED MAINTENANCE STATUS HELP

Admin
System
Firmware Upgrade
Logout

ADMIN
Here you can change the administrator's password for your IP camera as well as add and/or delete user account(s). You can configure the information, such as IP camera's name and time via this page. You can also enable the OSD (On-Screen Display) feature in order to display the IP camera name and time stamp for your video recordings.

ADMIN PASSWORD SETTING

New Password 8 characters maximum
Retype Password Save

ADD USER ACCOUNT

User Name 20 users maximum
New Password 8 characters maximum
Retype Password
Add

USER LIST

User Name -- User list -- Delete

DEVICE SETTING

IP camera Name DCS-6510 A1 30 characters maximum
 Enable OSD
Label DCS-6510 Emil Test
Show time
Save

Helpful Hints...
Enabling OSD, the IP camera name and time will be displayed on the video screen for the user.
For security purposes, it is recommended that you change the password for your administrator account. Be sure to write down the new password to avoid having to reset the IP camera in the event that it is forgotten.

Backup and Restore

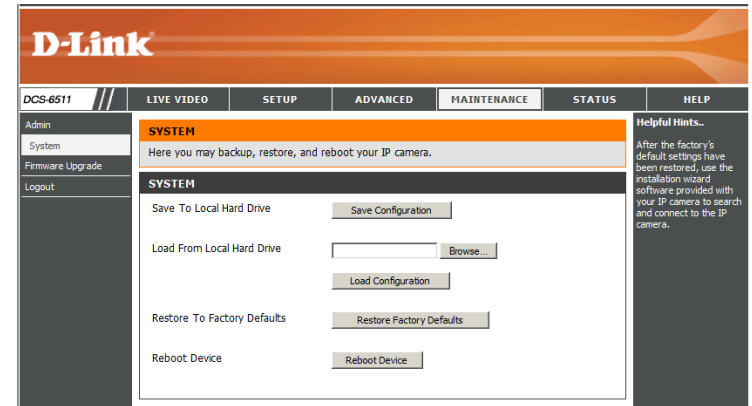
In this section, you may backup, restore and reset the camera configuration, or reboot the camera.

Save To Local Hard Drive: You may save and document your current settings into your computer.

Local From Local Hard Drive: Locate a pre-saved configuration by clicking **Browse** and then restore the pre-defined settings to your camera by clicking **Load Configuration**.

Restore to Factory Default: You may reset your camera and restore the factory settings by clicking **Restore Factory Defaults**.

Reboot Device: This will restart your camera.



Firmware Upgrade

The camera's current firmware version will be displayed on this screen. You may visit the D-Link Support Website to check for the latest available firmware version.

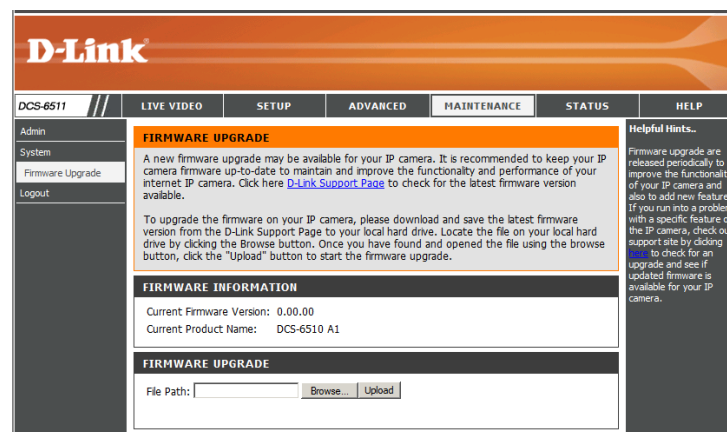
To upgrade the firmware on your DCS-6511, please download and save the latest firmware version from the D-Link Support Page to your local hard drive. Locate the file on your local hard drive by clicking the **Browse** button. Select the file and click the **Upload** button to start upgrading the firmware.

Current Firmware Version: Displays the detected firmware version.

Current Product Name: Displays the camera model name.

File Path: Locate the file (upgraded firmware) on your hard drive by clicking **Browse**.

Upload: Uploads the new firmware to your camera.



Status

Device Info

This page displays detailed information about your device and network connection.

D-Link																									
DCS-6511	LIVE VIDEO SETUP ADVANCED MAINTENANCE STATUS HELP																								
Device Info Log Logout	<p>DEVICE INFO</p> <p>All of your network connection details are displayed on this page. The firmware version is also displayed here.</p> <p>INFORMATION</p> <table> <tr><td>IP camera Name</td><td>DCS-6511</td></tr> <tr><td>Time & Date</td><td>Mon Mar 15 22:53:13 2010</td></tr> <tr><td>Firmware Version</td><td>0.10.00</td></tr> <tr><td>MAC Address</td><td>00:0C:0C:0C:50:02</td></tr> <tr><td>IP Address</td><td>172.17.5.67</td></tr> <tr><td>IP Subnet Mask</td><td>255.255.255.0</td></tr> <tr><td>Default Gateway</td><td>172.17.5.254</td></tr> <tr><td>Primary DNS</td><td>192.168.168.250</td></tr> <tr><td>Secondary DNS</td><td>192.168.168.201</td></tr> <tr><td>PPPoE</td><td>Disable</td></tr> <tr><td>DDNS</td><td>Disable</td></tr> <tr><td>TV Output Mode</td><td>NTSC</td></tr> </table>	IP camera Name	DCS-6511	Time & Date	Mon Mar 15 22:53:13 2010	Firmware Version	0.10.00	MAC Address	00:0C:0C:0C:50:02	IP Address	172.17.5.67	IP Subnet Mask	255.255.255.0	Default Gateway	172.17.5.254	Primary DNS	192.168.168.250	Secondary DNS	192.168.168.201	PPPoE	Disable	DDNS	Disable	TV Output Mode	NTSC
IP camera Name	DCS-6511																								
Time & Date	Mon Mar 15 22:53:13 2010																								
Firmware Version	0.10.00																								
MAC Address	00:0C:0C:0C:50:02																								
IP Address	172.17.5.67																								
IP Subnet Mask	255.255.255.0																								
Default Gateway	172.17.5.254																								
Primary DNS	192.168.168.250																								
Secondary DNS	192.168.168.201																								
PPPoE	Disable																								
DDNS	Disable																								
TV Output Mode	NTSC																								
	<p>Helpful Hints..</p> <p>This page displays all the information about the IP camera and network settings.</p>																								

Logs

This page displays the log information of your camera. You may download the information by clicking **Download**. You may also click **Clear** to delete the saved log information.

D-Link

DCS-6511 // LIVE VIDEO SETUP ADVANCED MAINTENANCE STATUS HELP

Device Info
Log
Logout

SYSTEM LOG
The system log records IP camera events that have occurred.

CURRENT LOG

1. 2010-04-15 18:06:53 admin LOGIN OK FROM 172.17.5.77
2. 2010-01-01 00:00:05 SYSTEM BOOTING
3. 2010-04-12 17:28:21 admin FROM 172.17.5.71 SET ALL IMAGE DATA DEFAULT
4. 2010-04-12 17:25:47 admin LOGIN OK FROM 172.17.5.71
5. 2010-01-01 00:00:06 SYSTEM BOOTING
6. 2010-04-08 23:13:28 admin FROM 172.17.5.168 SET TIMESTAMP FORMAT 1
7. 2010-04-08 23:13:28 admin FROM 172.17.5.168 CHANGE TITLE DCS-6510 A
8. 2010-04-08 23:02:00 admin FROM 172.17.5.168 SET ALL IMAGE DATA DEFAULT
9. 2010-04-08 22:59:45 admin LOGIN OK FROM 172.17.5.168
10. 2010-01-01 00:04:04 admin FROM 172.17.5.168 SET NTP IP
11. 2010-01-01 00:00:24 admin LOGIN OK FROM 172.17.5.168
12. 2010-01-01 00:00:05 SYSTEM BOOTING
13. 2010-01-01 00:00:05 SYSTEM BOOTING
14. 2010-01-01 00:06:28 admin LOGIN OK FROM 192.168.0.188
15. 2010-01-01 00:03:08 SYSTEM BOOTING
16. 2010-01-01 00:00:45 admin LOGIN OK FROM 192.168.0.188
17. 2010-01-01 00:00:05 SYSTEM BOOTING
18. 2010-01-01 00:01:37 admin LOGIN OK FROM 192.168.0.188
19. 2010-01-01 00:00:05 SYSTEM BOOTING
20. 2010-01-01 00:00:05 SYSTEM BOOTING

First Page Previous 20 Next 20

Clear Download

Helpful Hints..
You can save the log to your local hard IP camera by clicking the Download button, and you can clear the log by clicking on the Clear button.

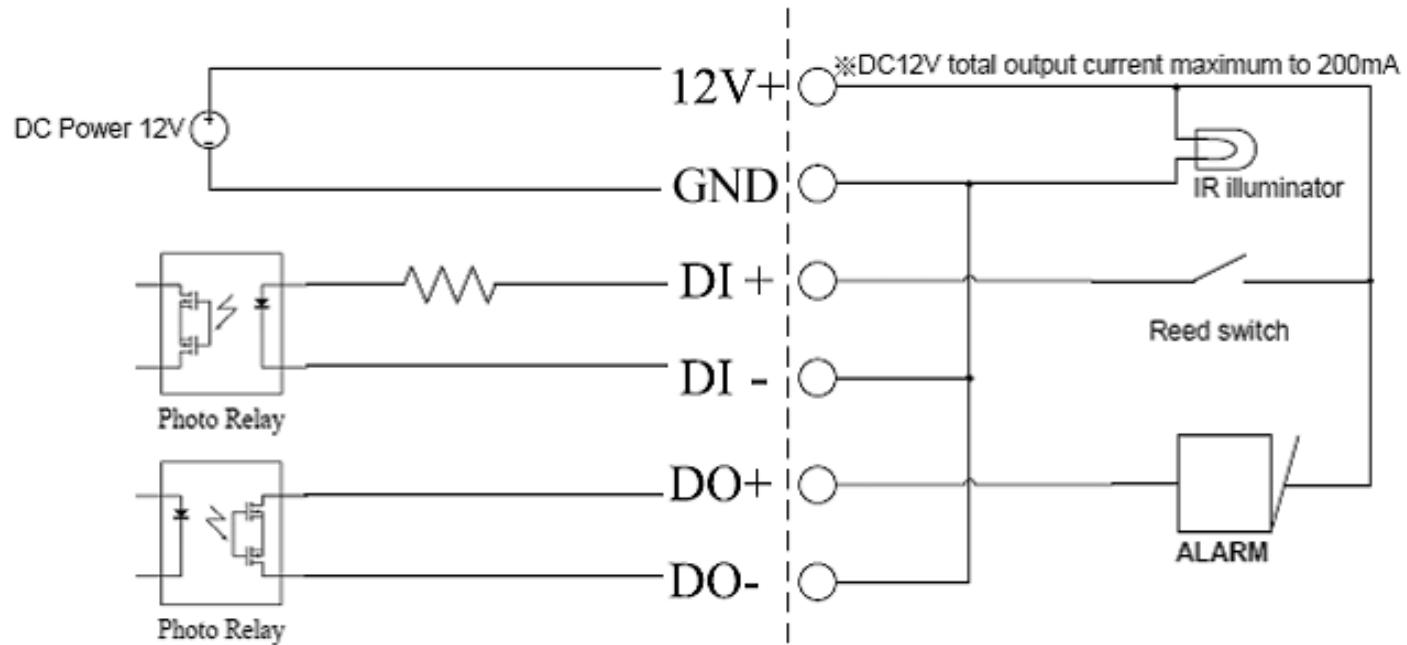
Help

This page provides helpful information regarding camera operation.

The screenshot displays the D-Link web interface for the DCS-6511 camera. At the top, the D-Link logo is visible. Below it is a navigation bar with tabs for LIVE VIDEO, SETUP, ADVANCED, MAINTENANCE, STATUS, and HELP. The HELP tab is currently selected. On the left side, there is a sidebar with 'Help Menu' and 'Logout' options. The main content area is titled 'HELP MENU' and contains several sections:

- HELP MENU**
 - [LIVE VIDEO](#)
 - [SETUP](#)
 - [MAINTENANCE](#)
 - [ADVANCED](#)
 - [STATUS](#)
- LIVE VIDEO**
 - [Camera](#)
- SETUP**
 - [Setup Wizard](#)
 - [Network Setup](#)
 - [Dynamic DNS](#)
 - [Image Setup](#)
 - [Audio and Video](#)
 - [Motion Detection](#)
 - [Time and Date](#)
 - [Event Setup](#)
 - [SD Card](#)
- ADVANCED**
 - [DI and DO](#)
 - [RS-485](#)
 - [ICR](#)
 - [HTTPS](#)
 - [Access List](#)
- MAINTENANCE**
 - [Admin](#)
 - [System](#)
 - [Firmware Upgrade](#)
- STATUS**

DI/DO Schematics



Technical Specifications

GENERAL SPECIFICATION

- 1/3" Megapixel WDR Progressive Scan CMOS
- WDR SN ratio: 100 dB
- Motorized varifocal autofocus lens 3.3 ~ 12 mm, F1.4 ~ F360C

VIEW ANGLE

- Vertical 63.6° (W) ~ 17.9° (T)
- Horizontal 89.8° (W) ~ 23.9° (T)
- Diagonal 125.7° (W) ~ 29.9° (T)

IR LED

- 20 meter illumination distance with 12 LEDs and light sensor

MINIMUM ILLUMINATION:

- Color: 0.2 lux @ F1.4
- B/W: 0.02 lux @ F1.4
- B/W: 0 lux with IR LED on

3-AXIS ANGLE:

- Vertical: 120
- Horizontal: 340
- Rotational: 300

SYSTEM REQUIREMENTS

- Operating System: Microsoft Windows XP, Vista, Windows 7
- Internet Explorer 6 or above, Firefox 3.5 or above, Safari 4

NETWORKING PROTOCOL

- IPv4, DHCP, ARP, DNS, TCP/IP, DDNS (D-Link), HTTP, HTTPS, UPnP™ Port Forwarding, Samba, SMTP, PPPoE, NTP (D-Link), FTP, RTP, RTSP, UDP, RTCP, ICMP, 3GPP

BUILT-IN NETWORK INTERFACE

- 10/100BASE-TX Fast Ethernet

VIDEO CODECS

- H.264
- MPEG4
- MJPEG
- JPEG for still images

RESOLUTION (UP TO 30 FPS)

- 1280x1024
- 1280x720
- 640x480
- 320x240
- 160x120

VIDEO FEATURES

- Adjustable image size, quality and bit rate
- Time stamp and text overlays
- 3 configurable privacy masks
- Flip & mirror
- ePTZ

AUDIO CODECS

- G.726

POWER INPUT

- 12 V DC 1.25 A
- 24 V AC
- 802.3af PoE

PHYSICAL AND ENVIRONMENTAL

- IP-66 weather-proof standard
- IK-10 vandal-proof standard
- Built-in heater and fan

WEIGHT

- 1030.5 g

STANDARD MOUNTING BRACKET

- Height: 23 mm (0.9 inches)
- Diameter: 183 mm (7.2 inches)
- Weight: 400 g (0.9 lbs)

OPERATING TEMPERATURE

- -40 to 50 °C (-40 to 122 °F)

STORAGE TEMPERATURE

- -20 to 70 °C (-4 to 158 °F)

RELATIVE HUMIDITY

- 20% to 80% non-condensing

CERTIFICATIONS

- FCC
- IC
- C-Tick
- CE
- LVD

**MOUNTING ACCESSORIES
(NOT INCLUDED WITH CAMERA)**

DCS-34-2

- Height: 201 mm (7.9 inches)
- Diameter: 150 mm (5.9 inches)
- Weight: 665 g (1.45 lbs)

DCS-34-3

- Height: 253 mm (9.96 inches)
- Diameter: 150 mm (5.9 inches)
- Weight: 770 g (1.7 lbs)

DIMENSIONS

