

Datasheet

2.5" SATA SSD

3SR-P series

- Compliant with MIL-STD-810-F/G
- Data security (QEraser/ SEraser/ Destroy/ Write Protect)
- High random R/W performance
- iSMART disk health monitoring
- Intelligent error recovery system
- iData Guard
- iCell technology for data protection
- Conformal coating (optional)



Introduction

Innodisk 2.5" SATA SSD 3SR-P is a SATA III 6Gb/s Flash based disk, which delivers excellent performance and reliability. Especially, it comes with several data security functions, including QEraser/ SEraser/ Destroy and also Write Protect. All the security functions can be triggered both by hardware and software approaches. 2.5" SATA SSD 3SR-P is compliant with MIL-STD-810F/G standards. The SSD is equipped ruggedized hardware design and thus it can perform well in the harsh environment. 2.5" SATA SSD 3SR-P is developed with Innodisk owned technical knowhow to ensure the data integrity and highest levels of reliability.

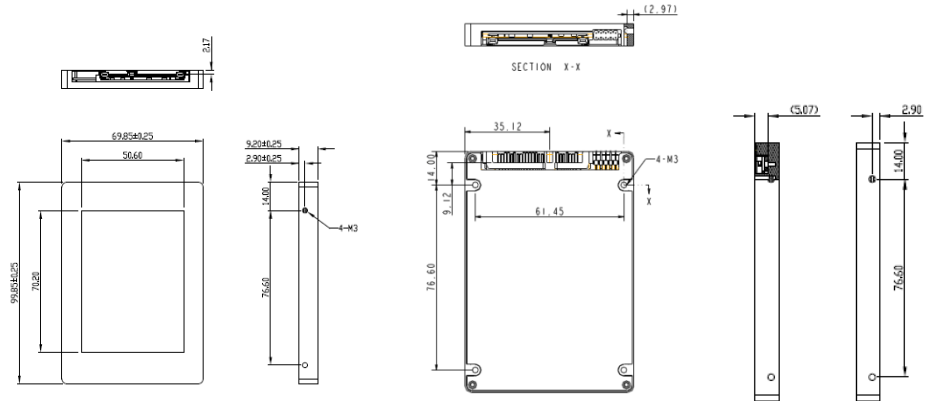
2.5" SATA SSD

3SR-P series

Drawing

Contact us for more information about the 2.5" SATA SSD 3SR-P

Innodisk is a service-driven provider of industrial embedded flash and DRAM storage products and technologies, with a focus on the industrial/embedded, aerospace and defense, and cloud computing industries.



Specifications

| | |
|-------------------------------|--|
| Interface | SATA III |
| Flash Type | SLC |
| Capacity | 8GB~256GB |
| Max. Channels | 4 |
| Sequential R/W (MB/sec, max.) | 490 / 340 |
| Max. Power Consumption | 3.25 W (5V x 650 mA) |
| Thermal Sensor | √ |
| External DRAM Buffer | √ |
| H/W Write Protect | √ |
| Pin7 Power | - |
| ATA Security | √ |
| S.M.A.R.T. | √ |
| Dimension (WxLxH) | 69.8 X 99.8 X 9.2 mm |
| Environment | Vibration: 20G @ 7~2000Hz Shock: 1500G @ 0.5ms Storage Temperature: -55°C ~ +95°C MTBF: 3 million hours |

Headquarters (Taiwan)

5F., No.237, Sec. 1, Datong Rd.,
Xizhi Dist., New Taipei City,
Taiwan (R.O.C.)
Tel: +886-2-77033000
Email: sales@innodisk.com

Branch Offices:

USA
usasales@innodisk.com
+1-510-770-9421
Europe
eusales@innodisk.com
+31-040-282-1818
Japan
jpsales@innodisk.com
+81-3-6667-0161
China
sales_cn@innodisk.com
+86-755-21673689
www.innodisk.com

© 2015 Innodisk Corporation.
All right reserved. Specifications
are subject to change without
prior notice.

20151223

Ordering Information

| Operation Temp. | 8GB | 16GB | 32GB | 64GB | 128GB | 256GB |
|-------------------------------------|-------------------|-------------------|-------------------|-------------------|-------------------|-------------------|
| Standard Grade (0°C ~ +70°C) | DRS25-08GD67SCCQB | DRS25-16GD67SCCQB | DRS25-32GD67SCCQB | DRS25-64GD67SCCQB | DRS25-A28D67SCCQB | DRS25-B56D67SCCQB |
| Industrial Grade (-40°C ~ +85°C) | DRS25-08GD67SWCQB | DRS25-16GD67SWCQB | DRS25-32GD67SWCQB | DRS25-64GD67SWCQB | DRS25-A28D67SWCQB | DRS25-B56D67SWCQB |

innodisk

www.innodisk.com