

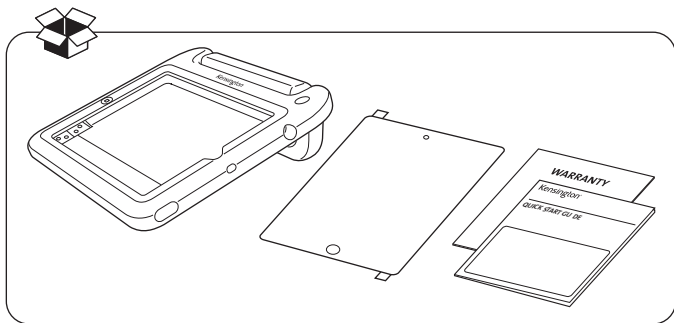
Kensington®

SafeGrip™

Rugged Case & Stand for iPad®

QUICK START GUIDE
GUIDE DE DEMARRAGE RAPIDE
KURZANLEITUNG
SNELSTARTGIDS
GUIDA RAPIDA
GUÍA RÁPIDA
GYORSKALAUZ

PŘÍRUČKA ZAČÍNÁME
SZYBKİ START
КРАТКОЕ РУКОВОДСТВО
ПОЛЬЗОВАТЕЛЯ
MANUAL DE INÍCIO RÁPIDO
GUIDE DE DÉMARRAGE RAPIDE
GUÍA DE INICIO RÁPIDO
GUIA DE INÍCIO RÁPIDO

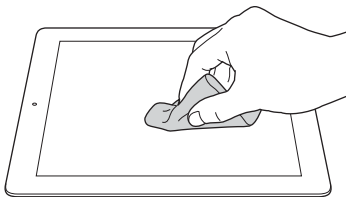


Register Now!
Enregistrer maintenant !
Jetzt registrieren!
Nu registreren
Registrar ahora
Registra adesso
Regisztráljon most!

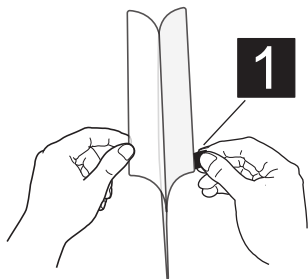
Zaregistrujte se nyní!
Zarejestruj się!
Зарегистрироваться!
Registe-se agora!
Enregistrez votre produit
d s maintenant!
¡Reg stresse ahora!
Registre agora!

register.kensington.com

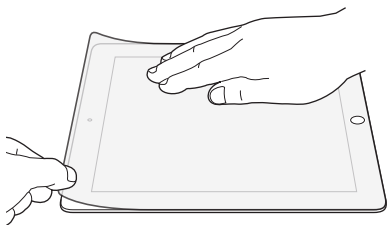
1



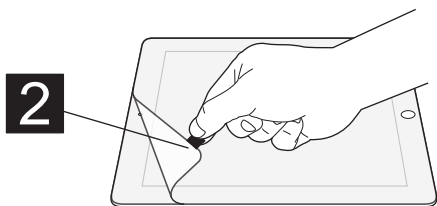
2



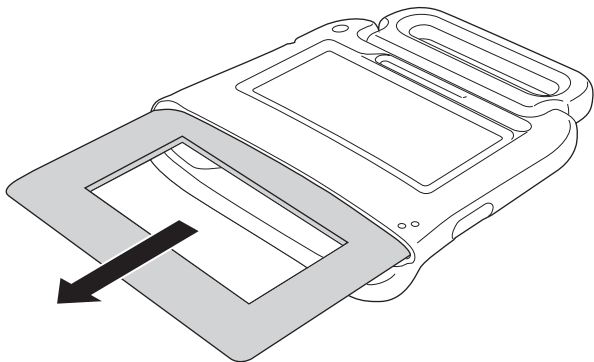
3



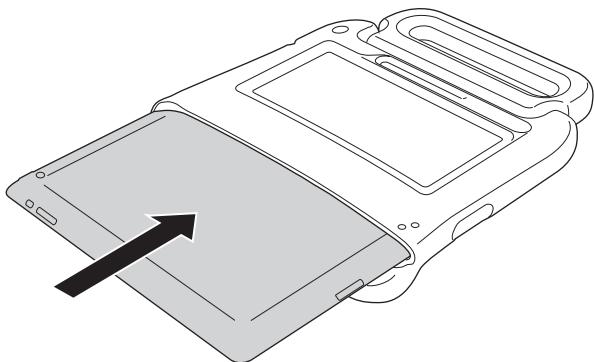
4



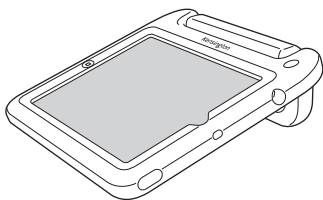
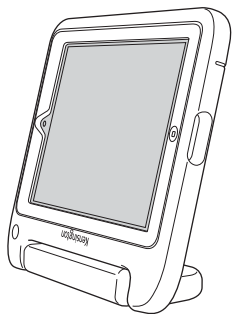
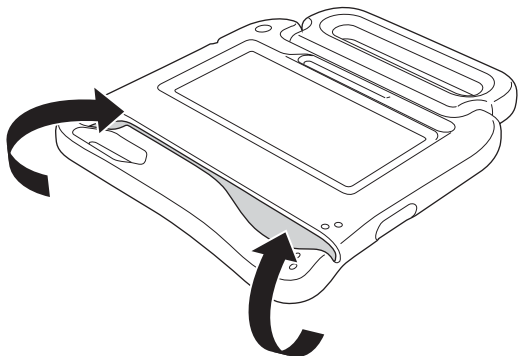
5

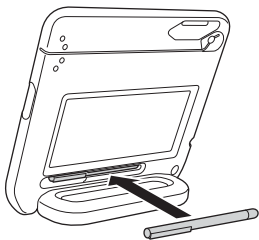


6

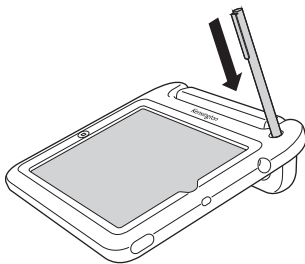


7

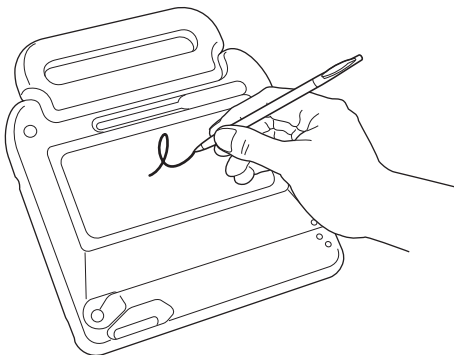




iPad & stylus not included
iPad et stylet non inclus
iPad und Eingabestift nicht
inbegriffen
iPad e stilo non inclusi



iPad y l piz no incluidos
iPad e estilete n o inclu dos
iPad et le stylet ne sont pas inclus
iPad y l piz no incluidos
iPad e stylus n o inclu dos



**Technical Support / Assistance technique / Technischer Support /
 Technische ondersteuning / Supporto tecnico / Asistencia tcnica /
 Műszaki támogatás / Technická podpora / Помощь техническая /
 Technische ondersteuning / Supporto tecnico / Asistencia tcnica /
 Assistenza tcnica / Supporto tecnico**

Australia	1300 881 931	Nederland	010 713 1882
Belgi / Belgique	02 401 2395	New Zealand	0800 539 26273
Brasil	14 3235-4003	Norway	80017520
Canada	1 800 268 3447	Österreich	0800 677 873
Denmark	80 250966	Polska	22 570 18 00
Deutschland	0692 222 3654	Portugal	800855802
España	911 146 735	Russia	007 495 933 5163
Finland	0800 9 15697	Schweiz / Suisse	044 580 6667
France	01 7671 0404	Sweden	08 5033 6577
Hungary	06 20 9430 612	United Kingdom	0203 364 5390
Ireland	01 431 1395	United States	1 800 535 4242
Italia	02 3604 7030	International Toll	+31 53 484 9135
México	55 15 00 57 00		



Kensington and ACCO are registered trademarks of ACCO Brands. The Kensington Promise is a service mark of ACCO Brands. SafeGrip is a trademark of ACCO Brands. iPad is a registered trademark of Apple Inc., registered in the U.S. and other countries. All other trademarks are the property of their respective owners. Patents pending.

© 2013 Kensington Computer Products Group, a division of ACCO Brands. Any unauthorized copying, duplicating, or other reproduction of the contents hereof is prohibited without written consent from Kensington Computer Products Group. All rights reserved. 3/13

K67792/K67793
 901-2934-00
 KL