

W=600mm SAFEbox IP55 Outdoor Wall Mounting Cabinets

SAFEbox IP55 Outdoor Wall Mounting Cabinets are designed for industrial applications.

Based on EN60529 provided IP55 protection class against dust and water ingress.

Where the enclosure provides IP55 protection against dust and water, with Fan and Filter integration performs IP54.

Application areas are open areas under effects of environment, with protection of the equipment inside the enclosure against ingress of solid foreign objects (falling dirt and windblown dust) , and to provide a degree of protection with respect to harmful effects on the equipment due to the ingress of water (rain, sleet, snow, splashing water)

Totally Gasketed doors, IP55 performing casted Handled Locking with 3 point locking system, isolated cable entries provides the best performance on the water and dust ingress.

t=1,5mm thickness material monoblock welded construction, with Epoxy Poliester type powder coating which is RAL 7035 Light Grey color, provides the corrosion resistance.

Filtered inlet of fresh air with protection cap and exhaust of hot air structure is in shipping configuration provides passive ventilation, at any time those filters can be equipped with Fans for Forced Ventilation



Width = 600mm
Depth = 450/600mm

Load Capacity: 100kgs.

Standard Heights:

4 different U heights: 7U,9U,12U,16U

Standards, and Compliances:



ISO 9001:2008

Quality Management System

EN 61587 -1:2012

Mechanical Structures for
Electronic Equipment

IEC 297-1, 19" mounting

IEC 297-2 Overall cabinet dimintions

EN 60529- IP55 protection class



CE conform to

EN 60950-1:2006

Information Technology
Equipment – Safety – Part-1-
General Requirements



Environment Friendly;

*Environmental awareness

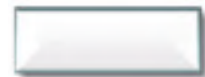
*RoHS compliancy

*% 100 Recyclable
Material



SAFEbox IP55 Outdoor Wall Mounting series Enclosures with 19" w:600mm and d:450/600mm sizes, in 4 different U heights, gives a wide selection chart for users

Standard Color:



RAL 7035 Light Grey

CONSTRUCTION DETAILS:

Integrated Fan Filter Housings creates fresh air inlet, performing IP54 protection of water and dust ingress. With the metal cap on the Fan filter housings the enclosure is protected against splashing water.

Roof Canopy provides IP54 protection once 1 or 2 Fan Module integrated on the ABS Grill Housing. Openings are allowing the proper hot air removal from enclosure.

***See options of hot airremoval on drawings.

Casted Iron Handled Locking with 3 point locking system provides security and anti-vandal structure, where helps maintaining the IP55 protection

IP55 conforming cable entry points, multiple access with 2xPG21, 1xPG48 integrated cable entry pats, 2 pcs 28mm diameter PVC Blind cap. Which all of are as option can be replaced with PG21 cable entry pats. After insertion of the cables to the enclosure, recommended to close the openings with foam or proper isolation material.

Grounded front door to the main body with yellow/green 4,0mm diameter copper wire.

Front door has the strengtning bar welded inside part of the front door, 2 pcs U Shaped.

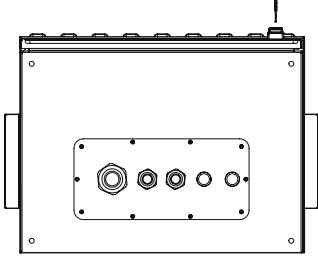
19'' rails of Lande SAFEbox IP55 Series Wall cabinet are with automated silk-screen U numbering, depends on size 1U to 16U, same from top to bottom or bottom to top results to same U height selection. No matter from where you have started counting. 19'' rails are 4 fold bending surfaces, 1,5mm thickness provides the high load capacities. The 19'' rails are made of steel with 8-12 micron zinc plating for corrosion resistance. 19'' rails are adjustable in depth. Cabinets are delivered with 1set:2pcs 19'' rails in front.

The front door is being closed on gasketing system on the flange bends of the enclosure body.

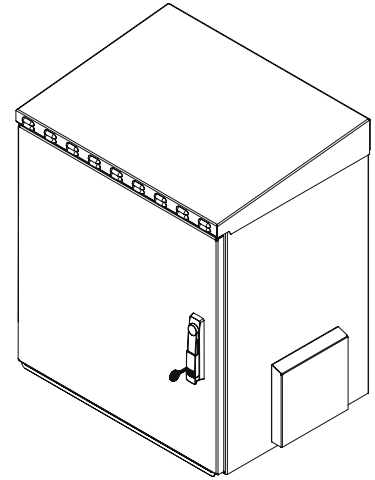
Included 4 pcs, t:3,0mm thickness wall fixing brackets with proper washer and screws.



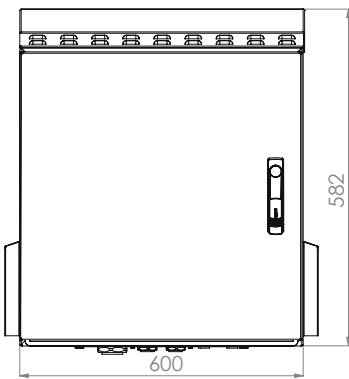
CONSTRUCTION
DRAWINGS



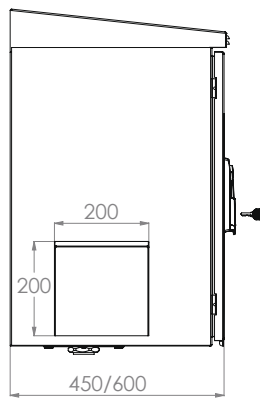
BOTTOM VIEW



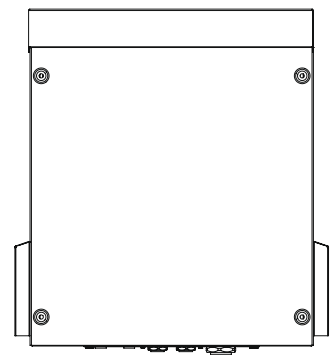
ISOMETRIC VIEW



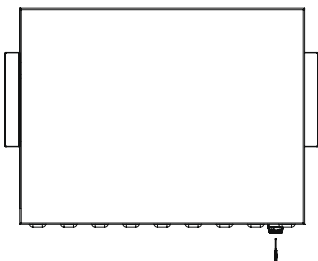
FRONT VIEW



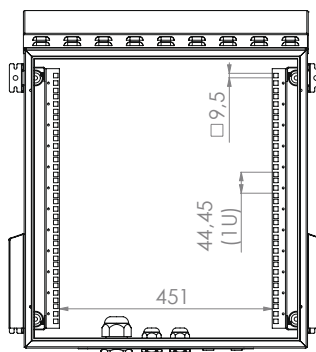
SIDE VIEW



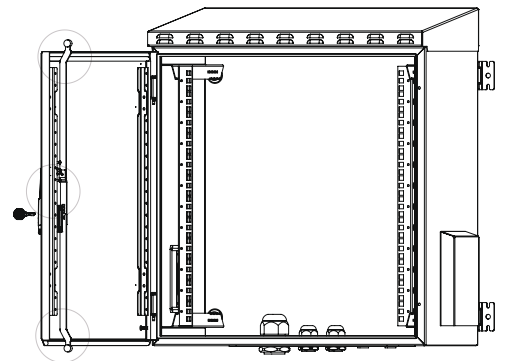
REAR VIEW



TOP VIEW



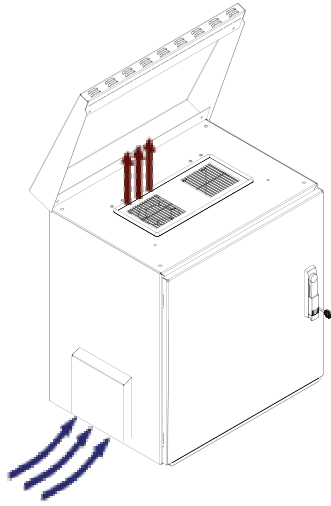
INSIDE VIEW



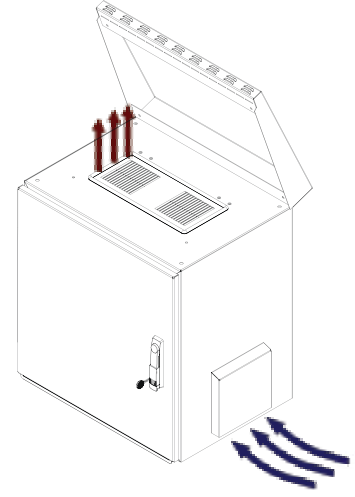
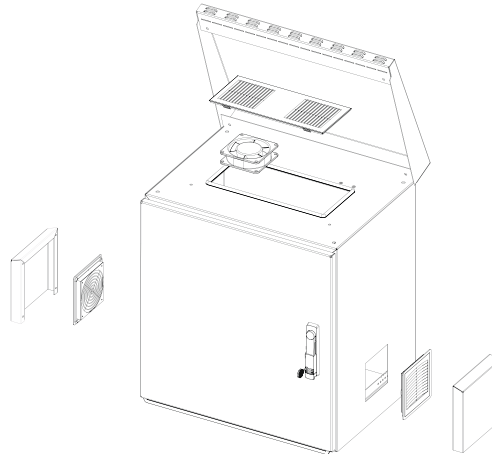
3 POINT LOCKING SYSTEM

CONSTRUCTION
DRAWINGS

OPTION 1
ONE FAN OUT
TWO FILTER INLET



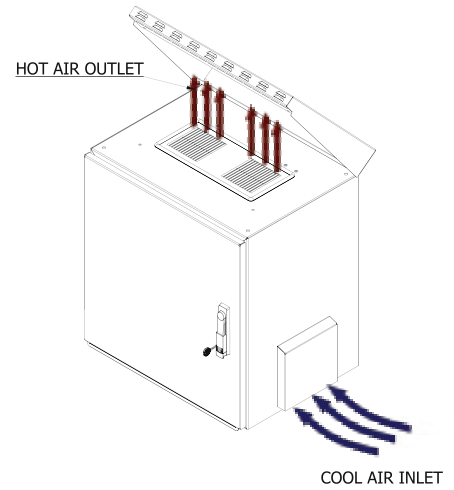
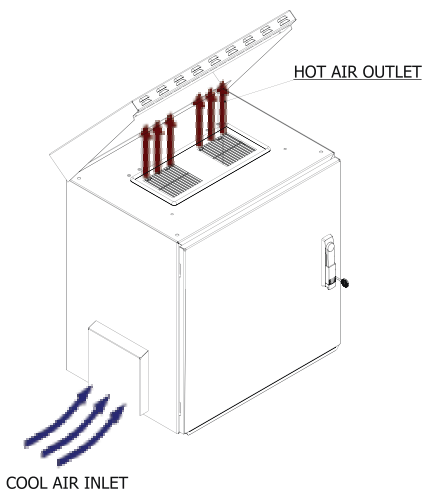
HOT AIR OUTLET



COOL AIR INLET

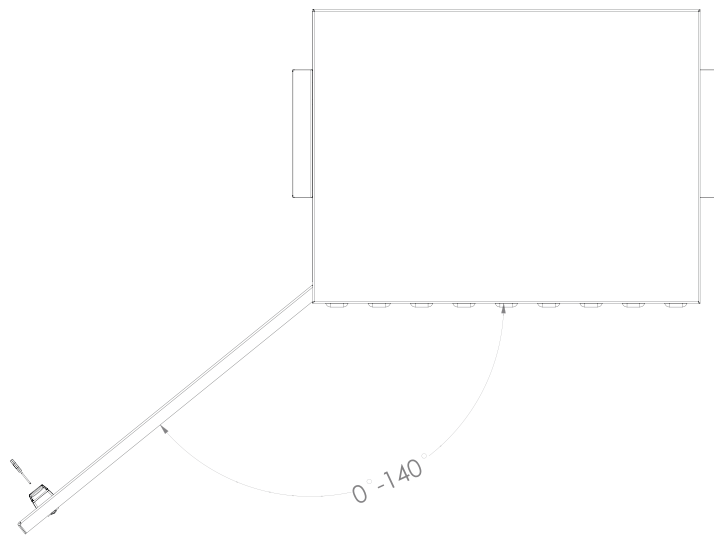
AIR REMOVAL

OPTION 2
TWO FAN OUT
TWO FILTER INLET

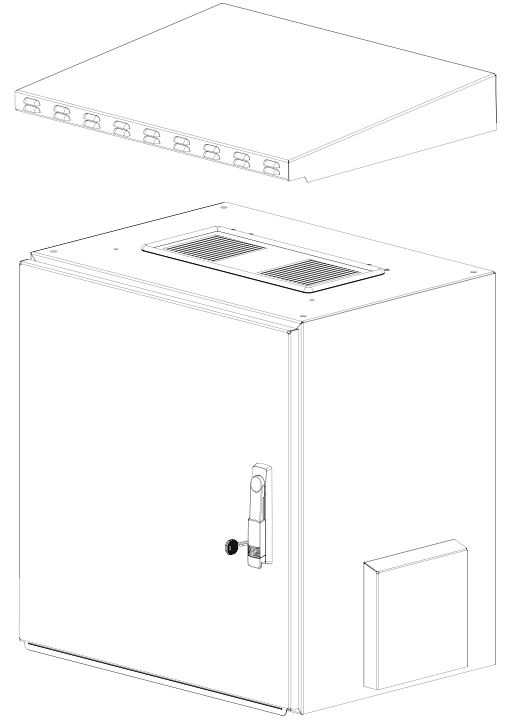


AIR REMOVAL

CONSTRUCTION
DRAWINGS



FRONT DOOR OPENING ANGLE



TOP COVER EXPLODED VIEW

SAFEbox Series IP55 Outdoor Wall Mounting 19" Cabinets W=600mm D=450/600mm

ROOT Product Number ***	Product Description	Size W×D×H mm	h size in U	h in mm	H mm, overall without feet and/or castor	Width Overall mm	Width Rail to Rail mm	Depth Overall mm	Depth Shipping Conf. Rail to Rail mm	QTY IN PACKAGE	PACKING DIMENSIONS W×D×H mm	Standard NET Weight of product kgs	Gross Weight of Product kgs	QTY IN PALETTE	PALETTE DIMENSIONS W×D×H mm	Palette Weight kgs
LN-SBO-IP5507U6045-LG	7U 19" SafeBox IP55 Outdoor Wall Mounting Cabinet W=600mm D=450mm	600x450x490	7U	311	490	600	19"	450	345	1	690x480x510	31	32	16	1300x1300x2200	532
LN-SBO-IP5509U6045-LG	9U 19" SafeBox IP55 Outdoor Wall Mounting Cabinet W=600mm D=450mm	600x450x579	9U	400	579	600	19"	450	345	1	690x480x600	33	34	16	1300x1300x2550	564
LN-SBO-IP5512U6045-LG	12U 19" SafeBox IP55 Outdoor Wall Mounting Cabinet W=600mm D=450mm	600x450x713	12U	533	713	600	19"	450	345	1	690x480x730	37	38	12	1300x1300x2350	476
LN-SBO-IP5516U6045-LG	16U 19" SafeBox IP55 Outdoor Wall Mounting Cabinet W=600mm D=450mm	600x450x891	16U	711	891	600	19"	450	345	1	690x480x910	41	43	8	1300x1300x2000	365
LN-SBO-IP5507U6060-LG	7U 19" SafeBox IP55 Outdoor Wall Mounting Cabinet W=600mm D=600mm	600x600x490	7U	311	490	600	19"	600	495	1	690x630x510	37	38	16	1300x1300x2200	633
LN-SBO-IP5509U6060-LG	9U 19" SafeBox IP55 Outdoor Wall Mounting Cabinet W=600mm D=600mm	600x600x579	9U	400	579	600	19"	600	495	1	690x630x600	40	41	16	1300x1300x2550	681
LN-SBO-IP5512U6060-LG	12U 19" SafeBox IP55 Outdoor Wall Mounting Cabinet W=600mm D=600mm	600x600x713	12U	533	713	600	19"	600	495	1	690x630x730	43	45	12	1300x1300x2350	565
LN-SBO-IP5516U6060-LG	16U 19" SafeBox IP55 Outdoor Wall Mounting Cabinet W=600mm D=600mm	600x600x891	16U	711	891	600	19"	600	495	1	690x630x910	49	51	8	1300x1300x2000	433

ACCESSORIES

For SAFEbox IP55 Outdoor Wall Mounting CABINETS



The assembly should be frontal assembly to the equipment mounting rails. For allowing the convection of heated air inside cabinets, the shelves are structured with ventilation slots. Supply is in RAL 9005 Black and RAL 7035 Light Grey colors. From Steel Material, with high technology bending strengthening accessory, Load capacity 30 kg

RACK MOUNT SHELVES 2 POINT FIXING	Logistics Data							COMPATIBLE WITH	
	Product Dimentions mm	Pack Dimentions mm	Product Net Weight kg	Product Gross Weight kg	QTY in Box pcs	Box Dimentions mm	Box Gross Weight kg	SAFEbox INDOOR IP55 Wall Mounting Cabinets	
Part Number and Product Description								600x450	600x600
LN-RAF-RMO-1U20-LG 1U D=200mm 19" Rack Mount Shelf , 2 point fixing, for all cabinets at 19" provision, Load Capacity 30 kg	486x200x44	510x240x50	0,9	1,1	10	545x425x400	13	●	●
LN-RAF-RMO-1U25-LG 1U D=250mm 19" Rack Mount Shelf , 2 point fixing, for all cabinets at 19" provision, Load Capacity 30 kg	486x250x44	510x280x50	1,1	1,3	10	545x425x400	15	●	●
LN-RAF-RMO-1U30-LG 1U D=300mm 19" Rack Mount Shelf , 2 point fixing, for all cabinets at 19" provision, Load Capacity 30 kg	486x300x44	505x305x50	1,3	1,6	9	545x425x400	17	●	●
LN-RAF-RMO-1U40-LG 1U D=400mm 19" Rack Mount Shelf , 2 point fixing, for all cabinets at 19" provision, Load Capacity 30 kg	486x400x44	515x415x55	1,7	2,1	7	545x425x400	14	●	●
LN-RAF-RMO-2U35-LG 2U D=350mm 19" Rack Mount Shelf , 2 point fixing, for all cabinets at 19" provision, Load Capacity 30 kg	486x350x88	510x360x90	2,1	2,4	4	545x425x400	11	●	●



4pcs Grounding wires, 4mm diameter Yellow /Green, 40cm long, for purpose of main grounding and potential equalization intend.

GROUNDING SETS	Logistics Data							COMPATIBLE WITH	
	Product Dimentions mm	Pack Dimentions mm	Product Net Weight kg	Product Gross Weight kg	QTY in Box pcs	Box Dimentions mm	Box Gross Weight kg	SAFEbox INDOOR IP55 Wall Mounting Cabinets	
Part Number and Product Description								600x450	600x600
LN-DGR-TPR-5L40-XX Grounding Set, 6 grounding point, 4pcs4mm diameterx 40cm long yellow/green wires,for basic grounding of cabinet chassis and panels	260x55x50	260x55x50	0,2	0,2	30	560x425x122	7,5	●	●
LN-DGR-TPR-1U10-LG 19" rack mount 1U Grounding Set, 10 grounding point, 4 pcsx4mm diameter x 40 cm long yellow/green wires, can be installed at any U height for all cabinet models, 4pcs set of M6 fixing elements.	482x35x44	500x45x50	0,4	0,45	1	500x45x50	0,45	●	●

ACCESSORIES

For SAFEbox IP55 Outdoor Wall Mounting CABINETS



1U 19" 16A lighted on/off switched, Black Color, PVC Housing, Economic Segment Power Distribution Stripes, CE Marked.

ECONOMIC POWER STRIPES PVC HOUSING	Logistics Data							COMPATIBLE WITH	
								SAFEbox INDOOR IP55 Wall Mounting Cabinets	
Part Number and Product Description	Product Dimentions mm	Pack Dimentions mm	Product Net Weight kg	Product Gross Weight kg	QTY in Box pcs	Box Dimentions mm	Box Gross Weight kg	600x450	600x600
LN-PRZ-EKO-1U6P-SC 6xDIN49440 Socket Schuko Power Stripe, 19" 1U, PVC Frame, 16A lighted on/off switch, 4000 Watt, 250V AC, 3x1.5mm2, 2,5m cable, DIN 49441 plug, CE approval	482x44x44	500x100x120	0,8	0,9	16	545x425x400	17	●	●



Aluminium housing, different types and features, Power Distribution Stripes are CE Marked. DIN49440 Schuko types, IEC320 C13 Types, BS1363 Uk Socket Types, lighted on/off switched, 16A cct Breaker type, Surge Protection types are available. A wide accessory portfolio is available, possible to configure special and specific product models with different socket types and qty's for projects.

POWER STRIPES ALUMINIUM HOUSING	Logistics Data							COMPATIBLE WITH	
								SAFEbox INDOOR IP55 Wall Mounting Cabinets	
Part Number and Product Description	Product Dimentions mm	Pack Dimentions mm	Product Net Weight kg	Product Gross Weight kg	QTY in Box pcs	Box Dimentions mm	Box Gross Weight kg	600x450	600x600
LN-PRZ-SGT-1U6P-SC 6xDIN49440 Socket Schuko Power Stripe, 19" 1U, aluminium housing, 1x16A cct breaker, 4000 Watt, 250V AC, 3x1.5mm2, 2,5m cable, DIN 49441 plug, CE approval	482x44x44	500x50x120	1	1,1	27	545x425x400	31	●	●
LN-PRZ-SGT-2U9P-SC 9xDIN49440 Söketli Schuko Grup Priz, 19" 1U, alüminyum housing 1x16A cct breaker, 4000 Watt, 250V AC, 3x1.5mm2, 2,5m cable, DIN 49441 plug, CE mark	482x44x88	500x100x120	1,5	1,7	12	545x425x400	22	●	●
LN-PRZ-AKK-1U6P-SC 6xDIN49440 Socket Schuko Surge Protection power Stripe, 19" 1U, aluminium housing, 16A lighted on/off switched, 4000 Watt, 250V AC, 3x1.5mm2, 2,5m cable, DIN 49441 plug, CE approval	482x44x44	500x50x120	1	1,1	27	545x425x400	31	●	●
LN-PRZ-ONF-1U6P-UK 6xBS1363 UK Socket Power Stripe, 19" 1,5U, aluminium housing, 16A lighted on/off switched, 4000 Watt, 250V AC, 3x1.5mm2, 2,5m cable, 13A BS1363 plug, CE approval	482x44x62	500x100x120	1,2	1,4	24	545x425x400	34	●	●
LN-PRZ-SGT-1U6P-IE 6xIEC 320 C13 Socket Power Stripe, 19" aluminium housing, 1x16A cct breaker, 4000 Watt, 250V AC, 2,5m cable, DIN 49441 plug, CE approval	482x44x44	500x50x120	1	1,1	27	545x425x400	31	●	●
LN-PRZ-ONF-1U8P-SC 8xDIN49440 Socket Schuko Power Stripe, 19" 1U, aluminium housing, 16A lighted on/off switched, 4000 Watt, 250V AC, 3x1.5mm2, 2,5m cable, DIN 49441 plug, CE approval	482x44x44	500x50x120	1,1	1,2	27	545x425x400	34	●	●

ACCESSORIES

For SAFEbox IP55 Outdoor Wall Mounting CABINETS



Horizontal Cable Management Segment accessories are for the cable management inside the cabinet, for intend of carrying the cables into the final connection point. have types of 1/2U, 1U,2U, brushed type, ring type, with cover plates. Supply is in RAL 9005 Black and RAL 7035 Light Grey colors.

HORIZONTAL CABLE MANAGEMENT ACCESSORIES	Logistics Data							COMPATIBLE WITH	
	Product Dimentions mm	Pack Dimentions mm	Product Net Weight kg	Product Gross Weight kg	QTY in Box pcs	Box Dimentions mm	Box Gross Weight kg	SAFEbox INDOOR IP55 Wall Mounting Cabinets	
Part Number and Product Description								600x450	600x600
LN-KDG-YKD-1UKN-CC 1U 19" cable management panel 5 rings	482x72x44	490x80x50	0,32	0,35	32	545x425x400	12,85	●	●
LN-KDG-YKD-1UKT-CC 1U 19" cable management panel, channel type, removable front cover plate with clips	482x75x44	490x80x50	0,51	0,55	32	545x425x400	19,20	●	●
LN-KDG-YKD-1UKZ-CC 1U 19" cable management panel, channel type, removable insert type sliding cover plate	482x72x44	490x80x50	0,68	0,72	32	545x425x400	24,10	●	●
LN-KDG-YKD-1UFC-CC 1U 19" cable management panel for patchcord entry, brushed type	482x12x44	490x20x50	0,25	0,29	40	560x425x122	13,50	●	●
LN-KDG-YKD-1UFO-CC 1U 19" cable management panel for patchcord entry, brushed type, with L rear bend patchcord holder and tire up panel	482x112x44	490x135x50	0,58	0,76	20	545x425x400	17,00	●	●
LN-KDG-YKD-05FC-CC 1/2U 19" cable management panel for patchcord entry, brushed stripe around the patchcord entry	482x12x22	490x135x50	0,45	0,64	20	545x425x400	14,00	●	●
LN-KDG-YKD-2UKN-CC 2U 19" cable management panel 5 rings	482x72x88	490x85x95	0,65	0,72	16	545x425x400	13,00	●	●
LN-KDG-YKD-2UKA-CC 2U 19" cable management panel, channel type, removable angled front cover plate, front cover plate is toolless	482x75x88	490x85x95	1,03	1,12	16	545x425x400	20,00	●	●
LN-KDG-YKD-2UKZ-CC 2U 19" cable management panel, channel type removable insert type sliding cover plate	482x72x88	490x85x95	1,35	1,47	16	545x425x400	25,50	●	●

* CC= Color Code, LG Light Grey RAL 7035, BL Black RAL 9005, customers to define while ordering

ACCESSORIES

For SAFEbox IP55 Outdoor Wall Mounting CABINETs



Ready pre-installed, plug-in and run style , with 0-35C operating Analog Thermostat switch and plugs. Each Fan has an air flow capacity of 2,3-3 cbm/min. Fan Technical data : 18/17 W, 220/240 VAC, 50/60 Hz, 013/0,11 A,2300/3000 rpm42 dB noise level, Fan life: 10.000 hours.

FAN MODULES with ANALOG THERMOSTAT	Logistics Data							COMPATIBLE WITH	
	SAFEbox INDOOR IP55 Wall Mounting Cabinets								
Part Number and Product Description	Product Dimentions mm	Pack Dimentions mm	Product Net Weight kg	Product Gross Weight kg	QTY in Box pcs	Box Dimentions mm	Box Gross Weight kg	600x450	600x600
LN-FAN-THM-1FWMIP-LG 1 Fan Module thermostat switched - Filtered For SAFEbox Wall Mounting Cabinets	346x175x50	380x160x60	1,53	1,76	15	545x425x400	28,2	●	●
LN-FAN-THM-2FWMIP-LG 2 Fan Module thermostat switched - Filtered For SAFEbox Wall Mounting Cabinets	346x175x50	380x160x60	1,97	2,20	15	545x425x400	34,9	●	●



There are 2 models of LED lighting units for cabinets. 19" 1U, turning function up/down, automatically operating once door is open, closing once door is closed or no movement detected in 60 seconds. Other Model is LED lighting 19" with cord switch equipped with magnets and hook. Where can be hanged or stuck on any metal part of cabinet.

SENSORED LIGHTING MODULE	Logistics Data							COMPATIBLE WITH	
	SAFEbox INDOOR IP55 Wall Mounting Cabinets								
Part Number and Product Description	Product Dimentions mm	Pack Dimentions mm	Product Net Weight kg	Product Gross Weight kg	QTY in Box pcs	Box Dimentions mm	Box Gross Weight kg	600x450	600x600
LN-DGR-AYD-1UOT-XX Lighting Module 1U 19", Door switched sensor - automatically operating once doors are open, LED LIGHTING, Turning function up/down	482x35x44	500x150x55	0,48	0,65	16	545x425x400	10,4	●	●
LN-DGR-AYD-1UMG-XX Lighting Module 1U 19", Cord switche, magnet equipped, with hook system	450x23x24	540x145x65	0,26	0,5	20	545x425x400	11	●	●



3U 19" DIN RAIL integrated, Electrical Distribution box supply is in RAL 7035 Light Grey and RAL 9005 Black colors. At a capacity of 18 Modules. Front Opening is covered with PVC module cover plates which are breakable as per used capacity.

3U 19" ELECTRICAL DISTRIBUTION BOX and ACCESSORIES	Logistics Data							COMPATIBLE WITH	
	SAFEbox INDOOR IP55 Wall Mounting Cabinets								
Part Number and Product Description	Product Dimentions mm	Pack Dimentions mm	Product Net Weight kg	Product Gross Weight kg	QTY in Box pcs	Box Dimentions mm	Box Gross Weight kg	600x450	600x600
LN-PRZ-MOD-3U15-LG 3U 19" electrical distribution box 18 module capacity	482x123x133	500x150x155	2,59	2,89	4	545x425x400	13,6	●	●
LN-PRZ-SGT-316A-XX cct breaker, 3phase, 3x16A 220/380vac	-	-	-	-	-	-	-	●	●
LN-PRZ-SGT-116A-XX cct breaker 1phase 1x16A 220vac	-	-	-	-	-	-	-	●	●
LN-PRZ-SCK-SSRM-XX Schuko Socket, Rail Type, 250vac, 16A	-	-	-	-	-	-	-	●	●