

Quick Installation Guide

IGS-1042GPA

Industrial Unmanaged Gigabit Switch

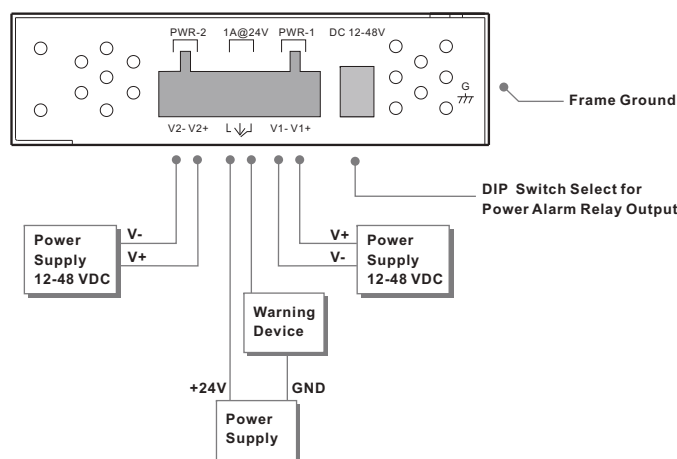
Introduction

IGS-1042GPA is an unmanaged Ethernet switch, with 4x10/100/1000Base-T(X) ports and 2x100/1000Base-X SFP port. The optical network speed of SFP port can be set by changing the settings of the DIP-Switch below. The wide operating temperature range from -40°C to 70°C can satisfy most of operating environment. Therefore, the switch is one of the most reliable choices for Ethernet application.

Features

- > IGS-1042GPA provide 4x10/100/1000Base-T(X) ports
- > SFP port support 100Base-FX and 1000Base-X dual speed
- > Support auto-negotiation and auto-MDI/MDI-X
- > Support store and forward transmission
- > Support flow control
- > Rigid IP-30 housing design
- > DIN-Rail and wall mounting enabled

Power Connection Guide



● DIP Switch Function

DIP-1	DIP-2	Description
OFF	OFF	Power failure relay alarm disabled
ON	OFF	PWR-1 failure, relay alarm enabled
OFF	ON	PWR-2 failure, relay alarm enabled
ON	ON	PWR-1 or PWR-2 failure, relay alarm enabled

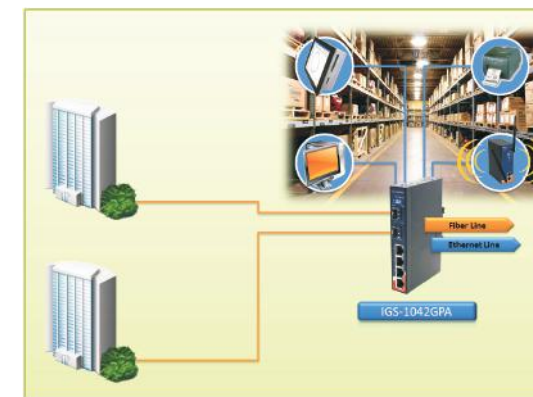
Specifications

ORing Switch Model	IGS-1042GPA
Physical Ports	
10/100/1000Base-T(X) Port in RJ45 Auto MDI/MDIX	4
100/1000Base-X SFP port	2
Technology	
Ethernet Standards	IEEE 802.3 for 10Base-T IEEE 802.3u for 100Base-TX and 100Base-FX IEEE 802.3ab for 1000Base-T IEEE 802.3z for 1000Base-X IEEE 802.3x for Flow control
MAC Table	1K MAC addresses
Processing	Store-and-Forward
LED Indicators	
Power indicator	Green: Power LED x2
Fault indicator	Amber: Indicate PWR1 or PWR2 failure
10/100/1000Base-T(X) RJ45 port indicator	Green for port Link/Act. Amber for 100Mbps indicator
100/1000Base-X SFP port indicator	Green for port Link/Act.
SFP Speed DIP-Switch	
DIP-Switch 1/2 (port 6/5)	DIP-Switch (ON) : SFP speed setting to 100Mbps DIP-Switch (OFF) : SFP speed setting to 1000Mbps
Relay Output DIP-Switch	
DIP-Switch 1	Power-1 failed warning : (ON) enable, (OFF) disable
DIP-Switch 2	Power-2 failed warning : (ON) enable, (OFF) disable
Fault Contact	
Relay	Relay output to carry capacity of 1A at 24VDC
Power	
Redundant Input power	Dual DC inputs 12-48VDC on 6-pin terminal block
Power consumption(Typ.)	6.4W (power device not included)
Overload current protection	Present
Reverse polarity protection	Present
Physical Characteristic	
Enclosure	IP-30
Dimension (W x D x H)	26.1 (W) x 94.9 (D) x 144.3 (H) mm (1.03 x 3.74 x 5.68 inches)
Weight (g)	410 g
Environmental	
Storage Temperature	-40 to 85°C (-40 to 185°F)
Operating Temperature	-40 to 70°C (-40 to 158°F)
Operating Humidity	5% to 95% Non-condensing
Regulatory Approvals	
EMI	FCC Part 15, CISPR (EN55022) class A
EMS	EN61000-4-2 (ESD), EN61000-4-3 (RS), EN61000-4-4 (EFT), EN61000-4-5 (Surge), EN61000-4-6 (CS), EN61000-4-8, EN61000-4-11
Shock	IEC60068-2-27
Free Fall	IEC60068-2-32
Vibration	IEC60068-2-6
Safety	EN60950-1
Warranty	5 years

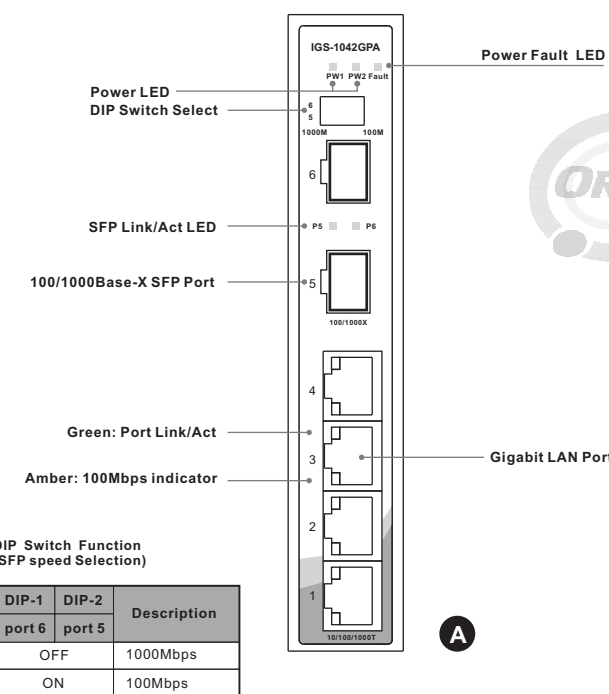
Practical Operation

IGS-1042GPA can be used in connecting several Ethernet devices like IP-Camera or other Ethernet devices. In addition, there are two different power inputs at terminal block to avoid interruption caused by power down. When the primary DC power input fails, the backup power input will take over immediately to guarantee a non-stop operation.

● Connections of Ethernet devices



Front Panel





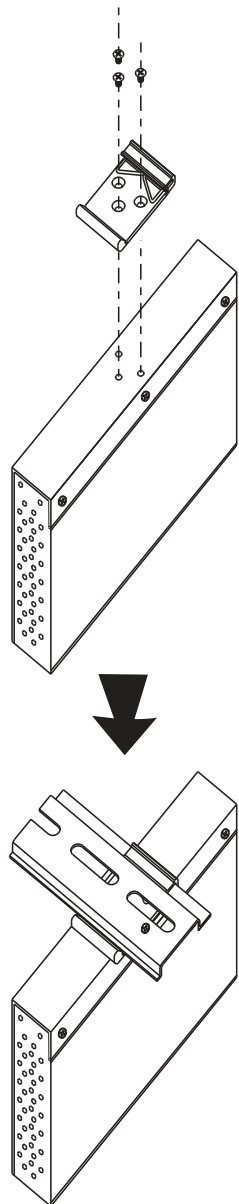
Quick Installation Guide

IGS-1042GPA

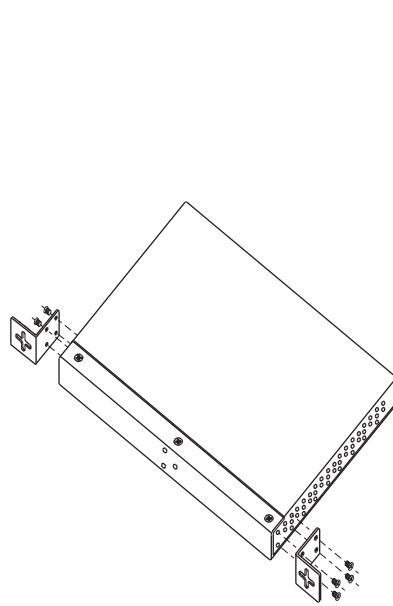
Industrial Unmanaged Gigabit Switch

Installation

DIN-Rail Install Step

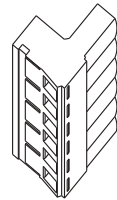


Wall-mounted Install Step



Accessory

- ① 6-Pin Terminal block
- ② Dust Cover (RJ-45)
- ③ Dust Cover (SFP)



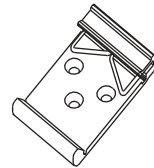
- ④ Round Screw (M3 X3)



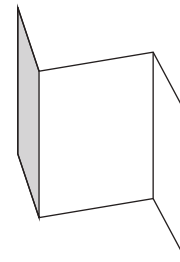
- ⑤ Wall-mounted kit (for Slim Type)



- ⑥ 25mm DIN-Rail kit



- ⑦ QIG



Packing list

Model name	Front Panel	Model Description	Accessory
IGS-1042GPA	A	Industrial 6-port slim type unmanaged Gigabit Ethernet switch with 4x10/100/1000Base-T(X) and 2x100/1000Base-X, SFP socket	⊙X1, ⊙X4, ⊙X2, ⊙X8, ⊙X2, ⊙X1, ⊙X1

Communication Connections

1000Base-T Ethernet Connection

RJ45 (8-pin, MDI) Port Pinouts

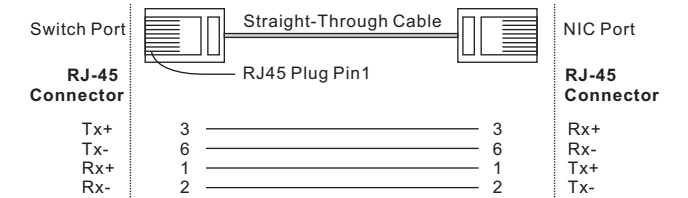
Pin	MDI
1	BI_DA+
2	BI_DA-
3	BI_DB+
4	BI_DC+
5	BI_DC-
6	BI_DB-
7	BI_DD+
8	BI_DD-

RJ45 (8-pin, MDI-X) Port Pinouts

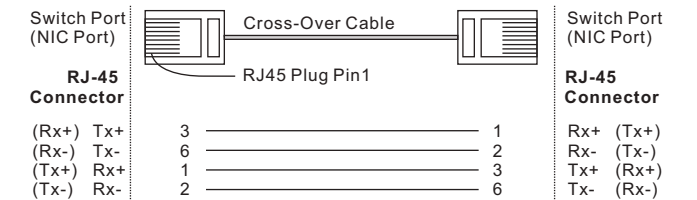
Pin	MDI-X
1	BI_DB+
2	BI_DB-
3	BI_DA+
4	BI_DD+
5	BI_DD-
6	BI_DA-
7	BI_DC+
8	BI_DC-

10/100Base-T(X) Ethernet Connection

RJ45 (8-pin) to RJ45 (8-Pin) Straight-Through Cable Wiring



RJ45 (8-pin) to RJ45 (8-Pin) Cross-Over Cable Wiring



ORing Industrial Networking Corp.

Copyright © 2013 ORing. All rights reserved.

TEL: +886-2-2218-1066 Website: www.oring-networking.com
 FAX: +886-2-2218-1014 E-mail: support@oring-networking.com