

solo 3

The most suitable one
is the best one

Enjoy Charging **Technology ROMOSS**
www.romoss.com



solo 3



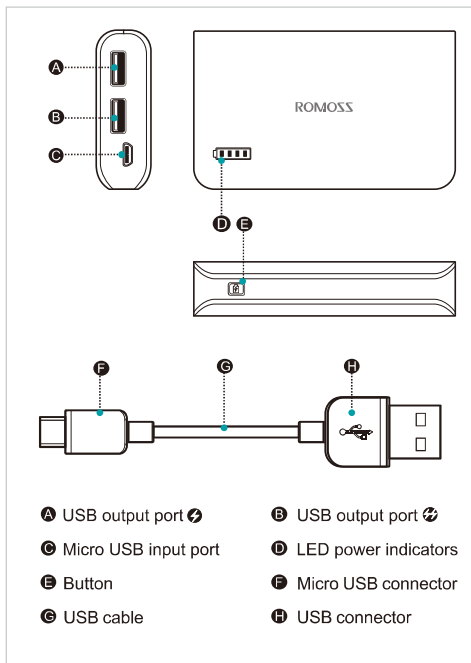
Product features

- Two USB ports allow simultaneous charging of two mobile phones
- The same size as a smartphone, can be perfectly held by a hand
- Takes only 7.5 hours to fully charge the device, just a sleep away
- Can be used to charge any mobile phones
- Unique craftsmanship, exquisite and refined
- Intelligent multi-level protection ensures safety and reliability
- Alloy-plastic structure ensures ruggedness
- Smart sleep mode helps save power and prolongs endurance

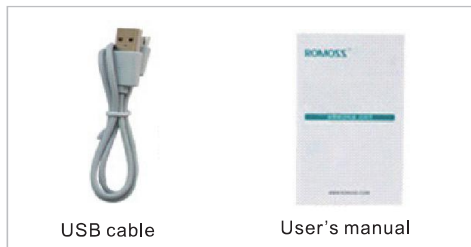
Specifications

Name	solo 3	Model	PH30
Capacity	6000mAh	Weight	~193g/6.8ozs
Input	DC5V 1A MAX.		
Output	⚡ DC5V 1A MAX. ⚡ DC5V 2.1A MAX.		
Size	~L101x W61 x H21mm	~L3.98 x W2.4 x H0.83inches	
Charging time	~7.5 hours (using 1A AC adapter) ~15 hours (using 500mA AC adapter or PC USB)		
Environment for Use	Outdoors/indoors/inside a vehicle		
Ambient Temperature for Use	Charging 0°C~45°C; discharging -10°C~60°C		
Environment for Storage	-20°C~60°C		
The electrical core will have 85% capacity left after 300 cycles. (From fully charged to fully discharged is a cycle)			

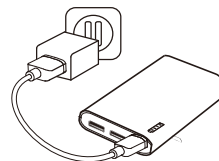
product appearance



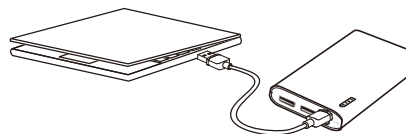
Accessories



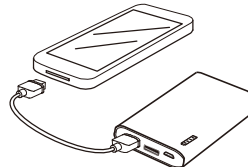
1 Charge solo 3 with AC adapter (AC adapter is not bundled)



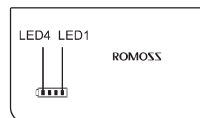
2 Charge solo 3 by connecting it to USB port on computer



3 Charging digital products using solo 3



Residual capacity indicator



LED Signal	Battery Percentage
1st signal lights up	0~25%
1st, 2nd signals light up	25~50%
1st, 2nd, 3rd signals light up	50~75%
1st, 2nd, 3rd and 4th signals light up	75~100%

solo 3

solo 3

Portable External Battery

Support to most DC5V USB input smartphones, tablets, MP3, MP4 and other digital products charging.



Thank you for using ROMOSS products.
Please read the instructions carefully before using the product.
Follow the instructions and use it properly.

Instructions

Charging solo 3 (Figure 1 / Figure 2)

1. Use original USB data cable and connect micro USB to micro USB port on solo 3;
2. Connect USB cable to USB port on DC5V USB charger or computer. If LED signal flickers, it means solo 3 is being charged;



Please pull out power supply after recharging fully.

Charging digital product with solo 3 (Figure 3)

1. Check if the charging voltage of the digital product is compatible with the DC5V output voltage of solo 3.
2. Use the digital product's original cable, and connect one end to the digital product, the other end to solo 3. If battery signal (output signal) lights up, it means the charging process starts. When the signal (output signal) goes out, it means the digital product is fully charged.



1. When switching off, LED signal will go out in 5 seconds and the battery will enter sleep mode in about 1 minute. If users want to use the battery to charge digital products, please switch on to wake it up.
2. When switching off, the 1st signal (output signal) will flicker if the power is less than 5% to prompt users that the battery itself needs to be charged.